

Flamcomat MP G4 Remote



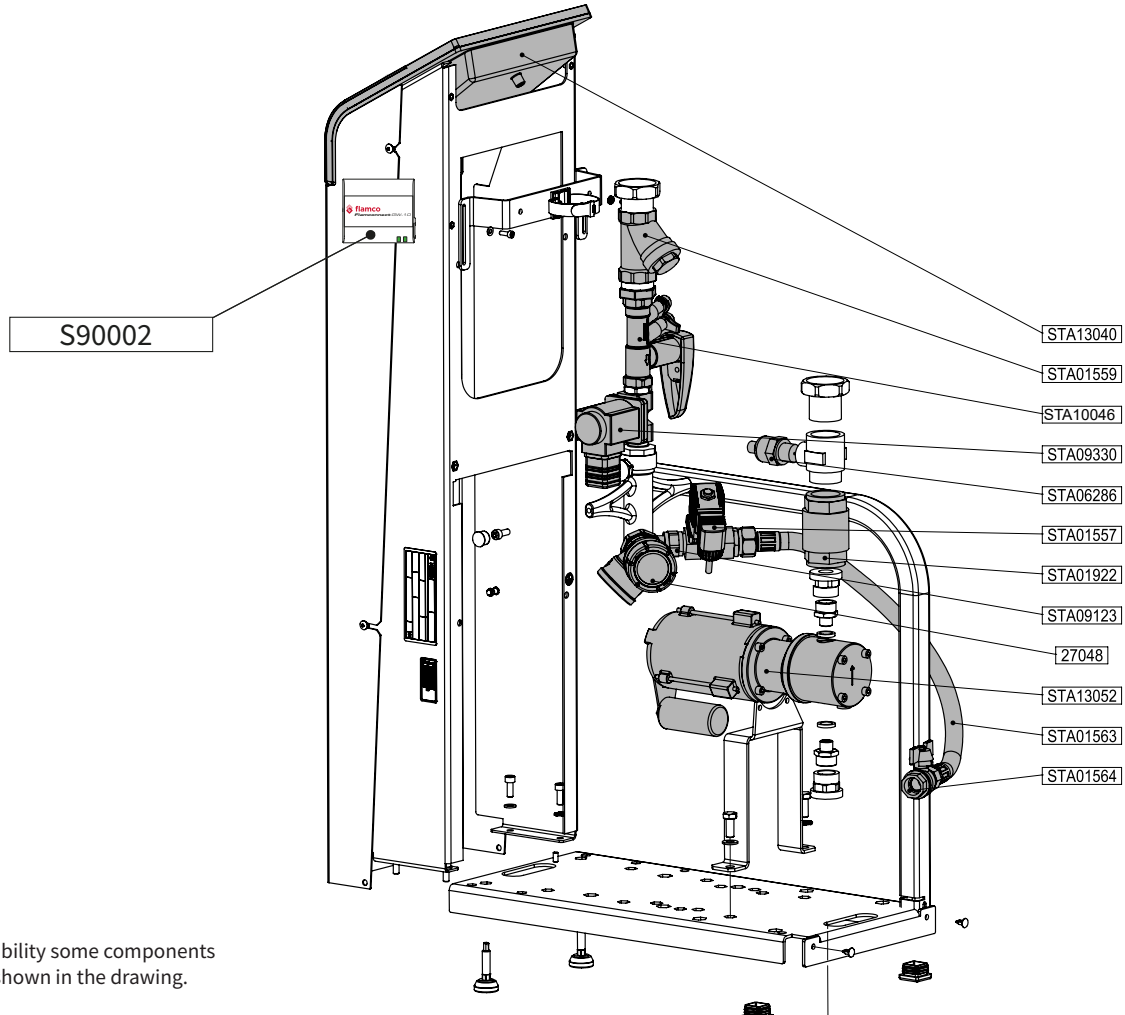
Spare Parts

Flamcomat MP

MM G4	page 3	DM G4	page 11
M02 G4	page 4	D02 G4	page 12
M10 G4	page 5	D10 G4	page 13
M20 G4	page 6	D20 G4	page 14
M60 G4	page 7	D60 G4	page 15
M80 G4	page 8	D80 G4	page 16
M100 G4	page 9	D100 G4	page 17
M130 G4	page 10	D130 G4	page 18

Flamcomat MP G4 Remote MM

Article number: 17940, 18280

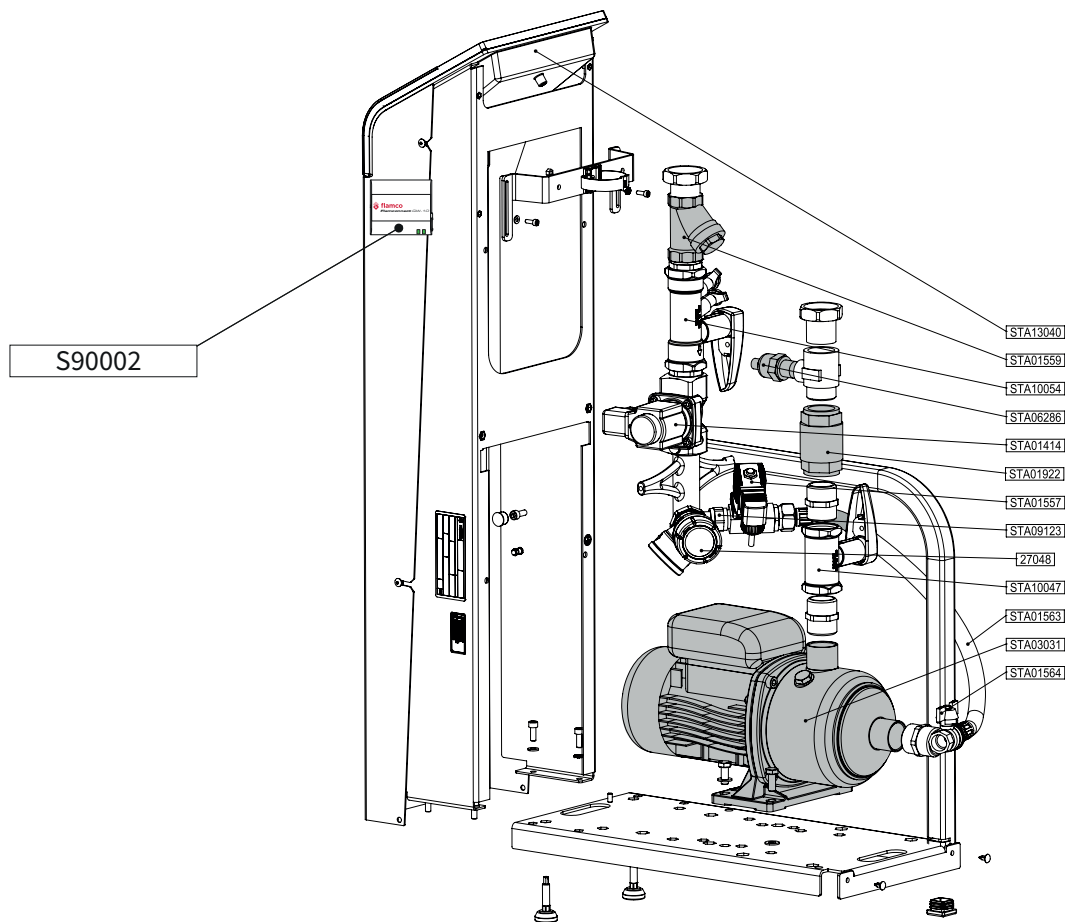


For good visibility some components may not be shown in the drawing.

#	Part name	Part number
1	Strainer 1"	STA01559
2	Flextronic Controller	STA13040
3	Control valve ½"	STA10046
4	Pressure sensor ½" 0-16 bar	STA06286
5	Solenoid valve ½"	STA09330
6	Solenoid valve ½" refill	STA01557
7	Non-return valve ½"	STA09123
8	Non return valve 1"	STA01922
9	Prescor Safety Valve Rp1" x Rp1¼" 3.0bar	27048
10	Replacement pump (MM/DM)	STA13052
11	Hose for watermeter ¾" x ½"	STA01563
12	Ball valve ½"	STA01564
13	Flamconnect GW-10 Flextronic	S90002

Flamcomat MP G4 Remote M02

Article number: 17943, 18283

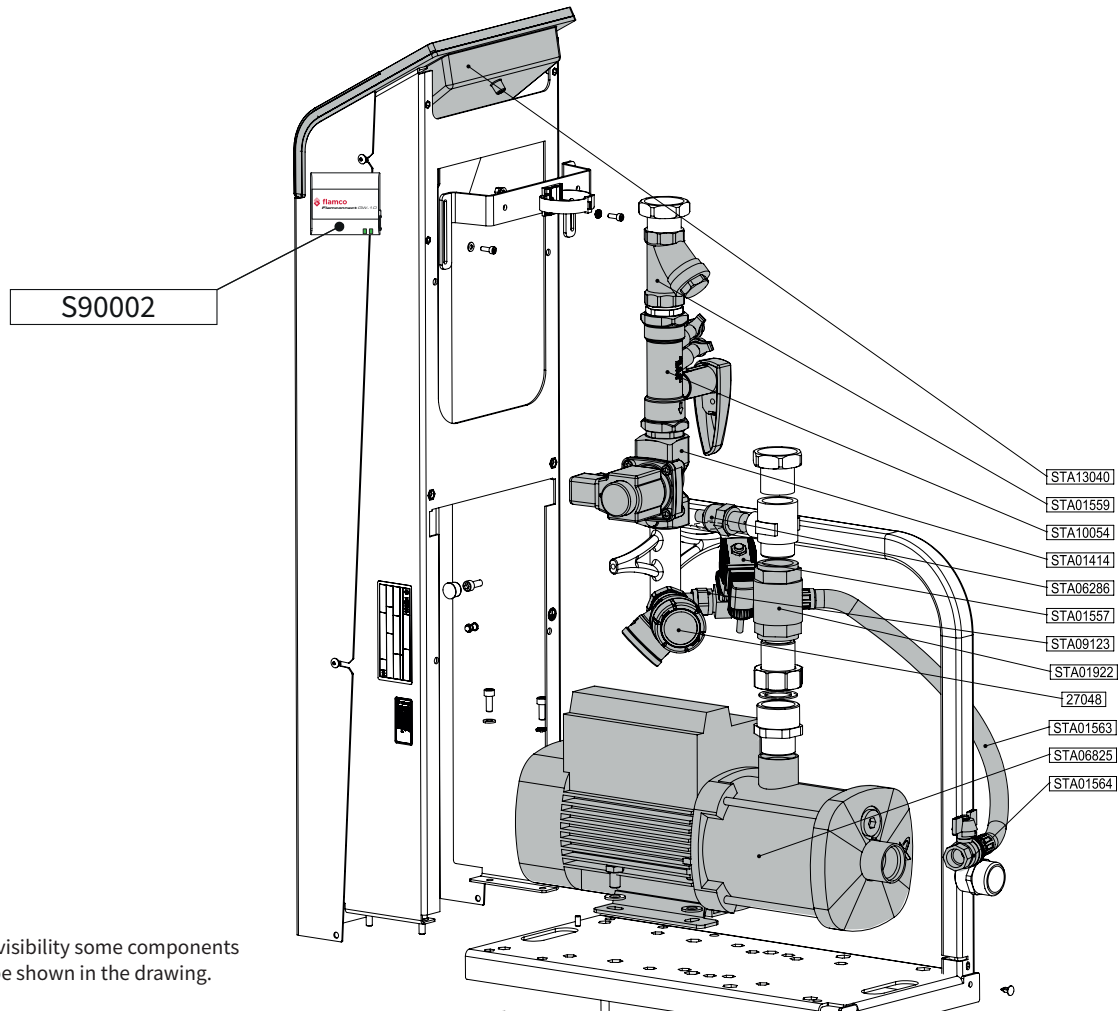


For good visibility some components may not be shown in the drawing.

#	Part name	Part number
1	Flextronic Controller	STA13040
2	Strainer 1"	STA01559
3	Balancing valve DN25S	STA10054
4	Pressure sensor ½" 0-16 bar	STA06286
5	Solenoid valve 1" refill	STA01414
6	Non return valve 1"	STA01922
7	Solenoid valve ½" refill	STA01557
8	Non-return valve ½"	STA09123
9	Prescor Safety Valve Rp1" x Rp1¼" 3.0bar	27048
10	Balancing valve DRV DN25S	STA10047
11	Hose for watermeter ¾" x ½"	STA01563
12	Replacement pump (M0/M01/M02/D0/D01/D02)	STA03031
13	Ball valve ½"	STA01564
14	Flamconnect GW-10 Flextronic	S90002

Flamcomat MP G4 Remote M10

Article number: 17944, 18284

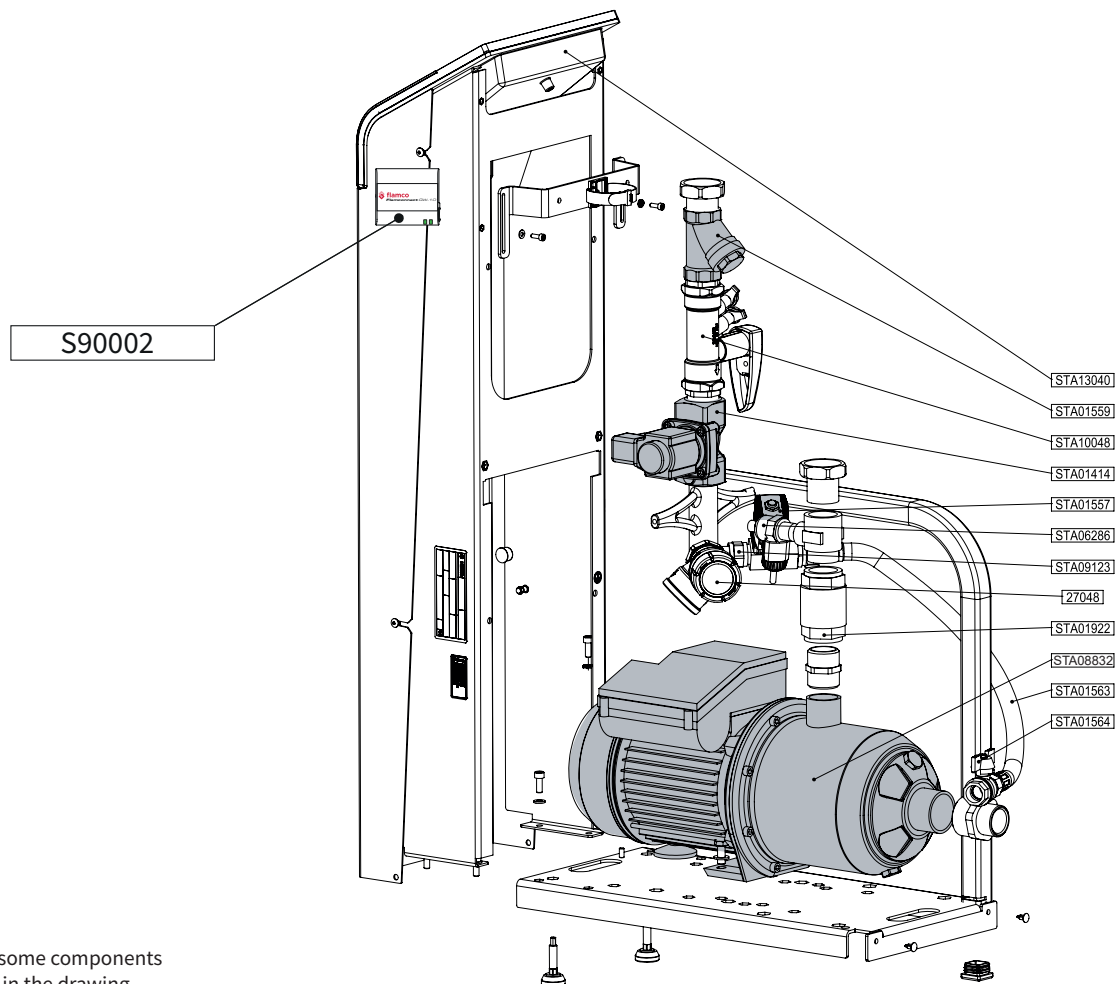


For good visibility some components may not be shown in the drawing.

#	Part name	Part number
1	Flextronic Controller	STA13040
2	Strainer 1"	STA01559
3	Balancing valve DN25S	STA10054
4	Solenoid valve 1" refill	STA01414
5	Pressure sensor ½" 0-16 bar	STA06286
6	Solenoid valve ½" refill	STA01557
7	Non-return valve ½"	STA09123
8	Non return valve 1"	STA01922
9	Prescor Safety Valve Rp1" x Rp1¼" 3.0bar	27048
10	Hose for watermeter ¾" x ½"	STA01563
11	Replacement pump (M10/D10)	STA06825
12	Ball valve ½"	STA01564
13	Flamconnect GW-10 Flextronic	S90002

Flamcomat MP G4 Remote M20

Article number: 17945

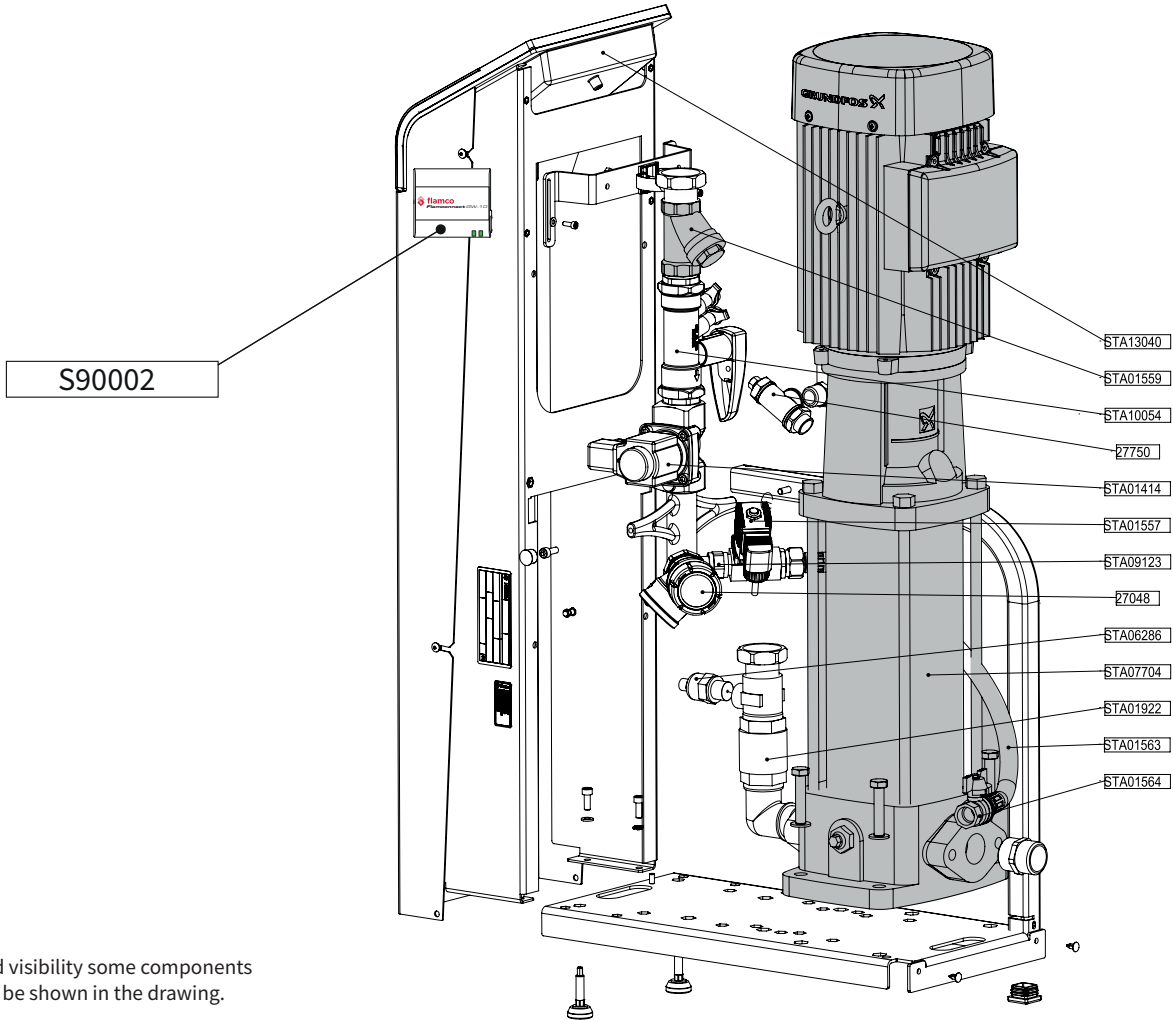


For good visibility some components may not be shown in the drawing.

#	Part name	Part number
1	Flextronic Controller	STA13040
2	Strainer 1"	STA01559
3	Balancing valve DN25H	STA10048
4	Solenoid valve 1" refill	STA01414
5	Solenoid valve ½" refill	STA01557
6	Pressure sensor ½" 0-16 bar	STA06286
7	Non-return valve ½"	STA09123
8	Prescor Safety Valve Rp1" x Rp1¼" 3.0bar	27048
9	Non return valve 1"	STA01922
10	Replacement pump (M20/D20)	STA08832
11	Hose for watermeter ¾" x ½"	STA01563
12	Ball valve ½"	STA01564
13	Flamconnect GW-10 Flextronic	S90002

Flamcomat MP G4 Remote M60

Article number: 17946

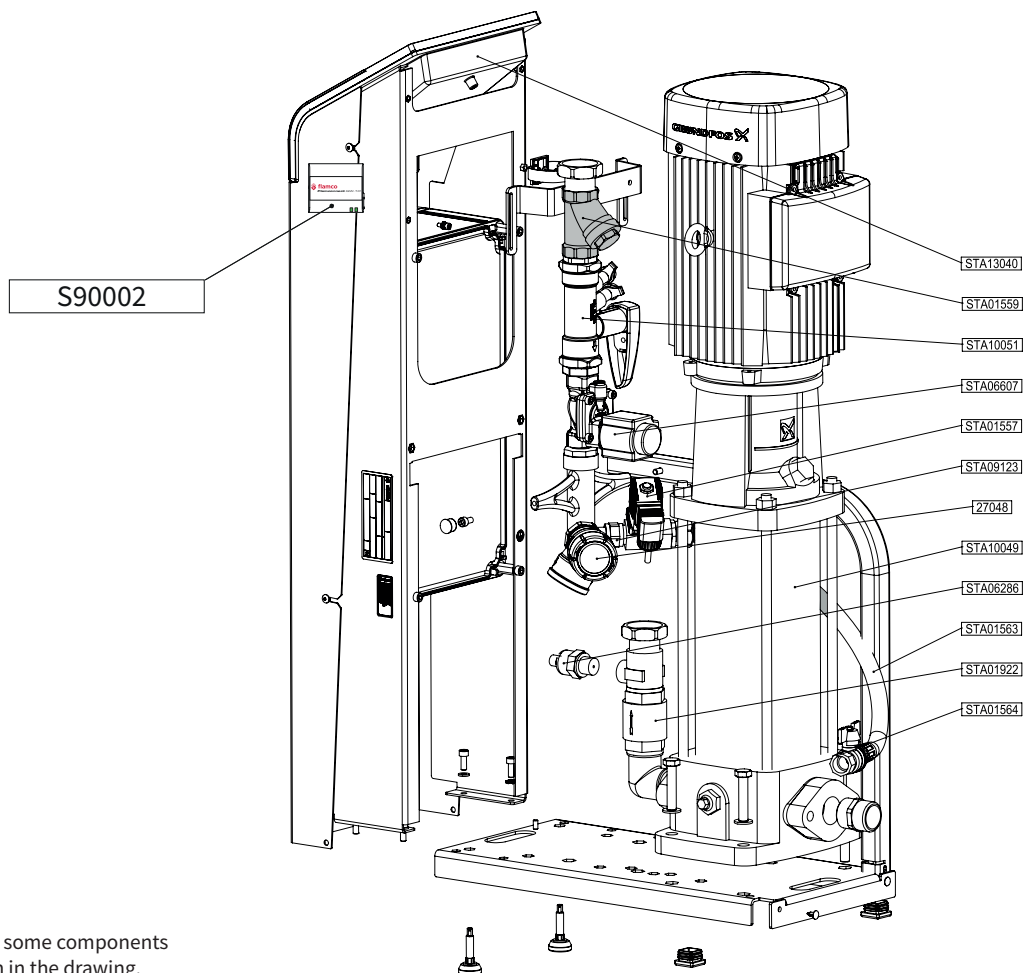


For good visibility some components may not be shown in the drawing.

#	Part name	Part number
1	Flexronic Controller	STA13040
2	Strainer 1"	STA01559
3	Balancing valve DN25S 1"	STA10054
4	Flexvent float vent R3/8"	27750
5	Solenoid valve 1" refill	STA01414
6	Solenoid valve 1/2" refill	STA01557
7	Non-return valve 1/2"	STA09123
8	Prescor Safety Valve Rp1" x Rp1/4" 3.0bar	27048
9	Pressure sensor 1/2" 0-16 bar	STA06286
10	Replacement pump (M60/D60)	STA07704
11	Non return valve 1"	STA01922
12	Hose for watermeter 3/4" x 1/2"	STA01563
13	Ball valve 1/2"	STA01564
14	Flamconnect GW-10 Flexronic	S90002

Flamcomat MP G4 Remote M80

Article number: 17947

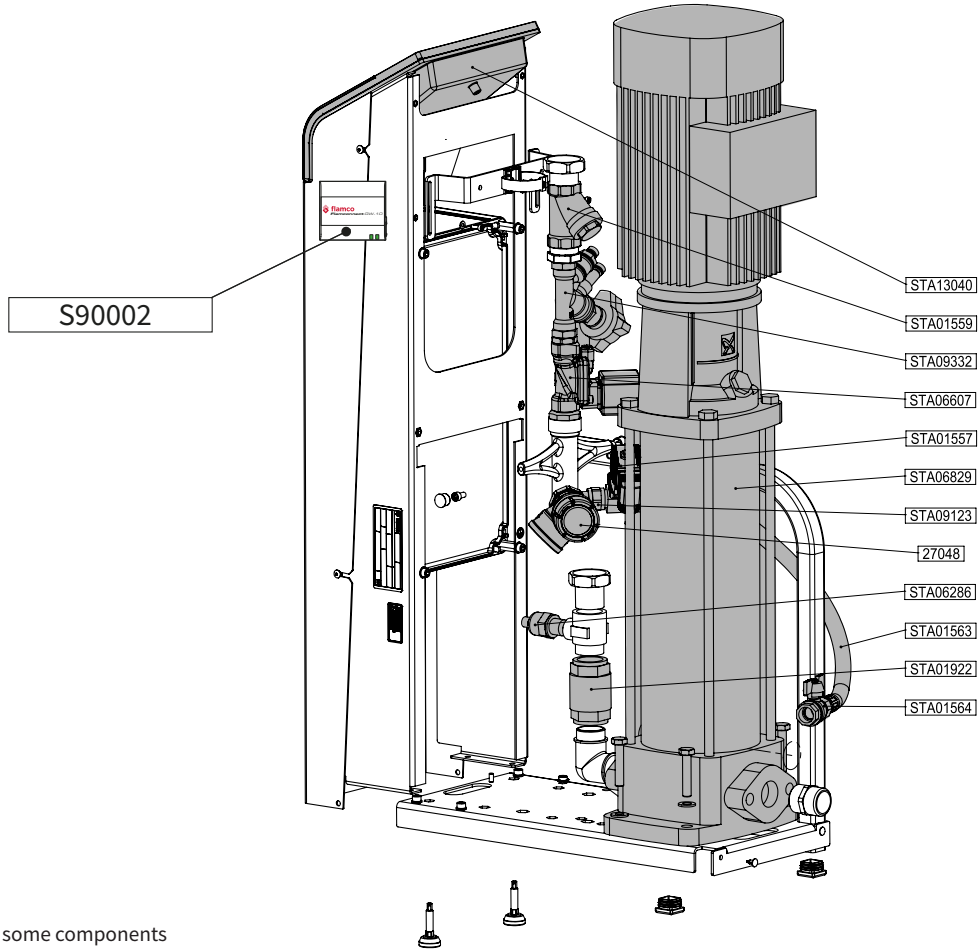


For good visibility some components may not be shown in the drawing.

#	Part name	Part number
1	Flextronic Controller	STA13040
2	Strainer 1"	STA01559
3	Dry run protection 6L/min	STA10051
4	Solenoid valve ½"	STA06607
5	Solenoid valve ½" refill	STA01557
6	Non-return valve ½"	STA09123
7	Prescor Safety Valve Rp1" x Rp1¼" 3.0bar	27048
8	Replacement pump (M80/D80)	STA10049
9	Pressure sensor ½" 0-16 bar	STA06286
10	Hose for watermeter ¾" x ½"	STA01563
11	Non return valve 1"	STA01922
12	Ball valve ½"	STA01564
13	Flamconnect GW-10 Flextronic	S90002

Flamcomat MP G4 Remote M100

Article number: 17884

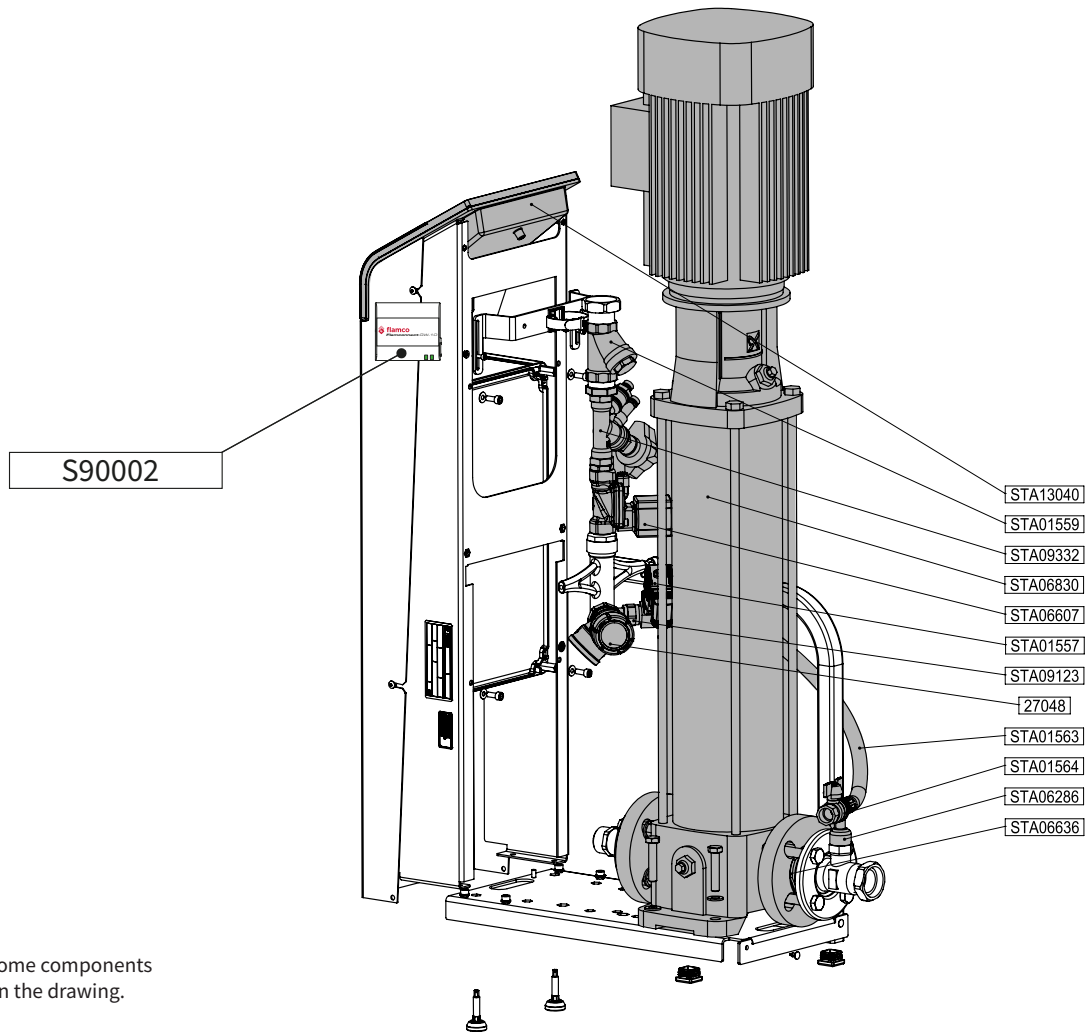


For good visibility some components may not be shown in the drawing.

#	Part name	Part number
1	Strainer 1"	STA01559
2	Flextronic Controller	STA13040
3	Control valve ½"	STA09332
4	Solenoid valve ½"	STA06607
5	Replacement pump (M100/D100)	STA06829
6	Solenoid valve ½" refill	STA01557
7	Non-return valve ½"	STA09123
8	Prescor Safety Valve Rp1" x Rp1¼" 3.0bar	27048
9	Pressure sensor ½" 0-16 bar	STA06286
10	Hose for watermeter ¾" x ½"	STA01563
11	Non return valve 1"	STA01922
12	Ball valve ½"	STA01564
13	Flamconnect GW-10 Flextronic	S90002

Flamcomat MP G4 Remote M130

Article number: 17886

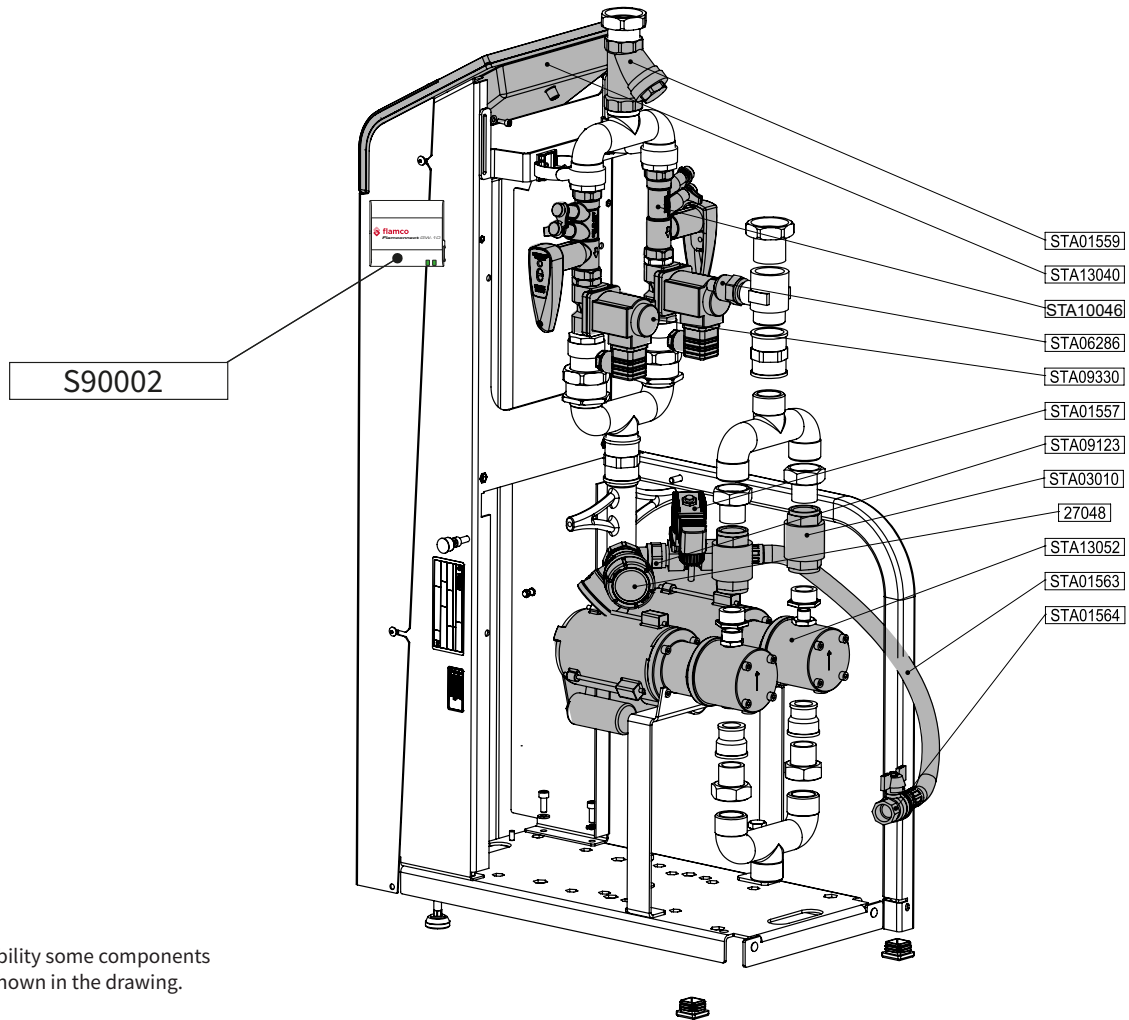


For good visibility some components may not be shown in the drawing.

#	Part name	Part number
1	Strainer 1"	STA01559
2	Flextronic Controller	STA13040
3	Control valve ½"	STA09332
4	Solenoid valve ½"	STA06607
5	Replacement pump (M130/D130)	STA06830
6	Solenoid valve ½" refill	STA01557
7	Non-return valve ½"	STA09123
8	Prescor Safety Valve Rp1" x Rp1¼" 3.0bar	27048
9	Hose for watermeter ¾" x ½"	STA01563
10	Ball valve ½"	STA01564
11	Pressure sensor ½" 0-16 bar	STA06286
12	Non return valve M60/D130 (SPC)	STA06636
13	Flamconnect GW-10 Flextronic	S90002

Flamcomat MP G4 Remote DM

Article number: 17948

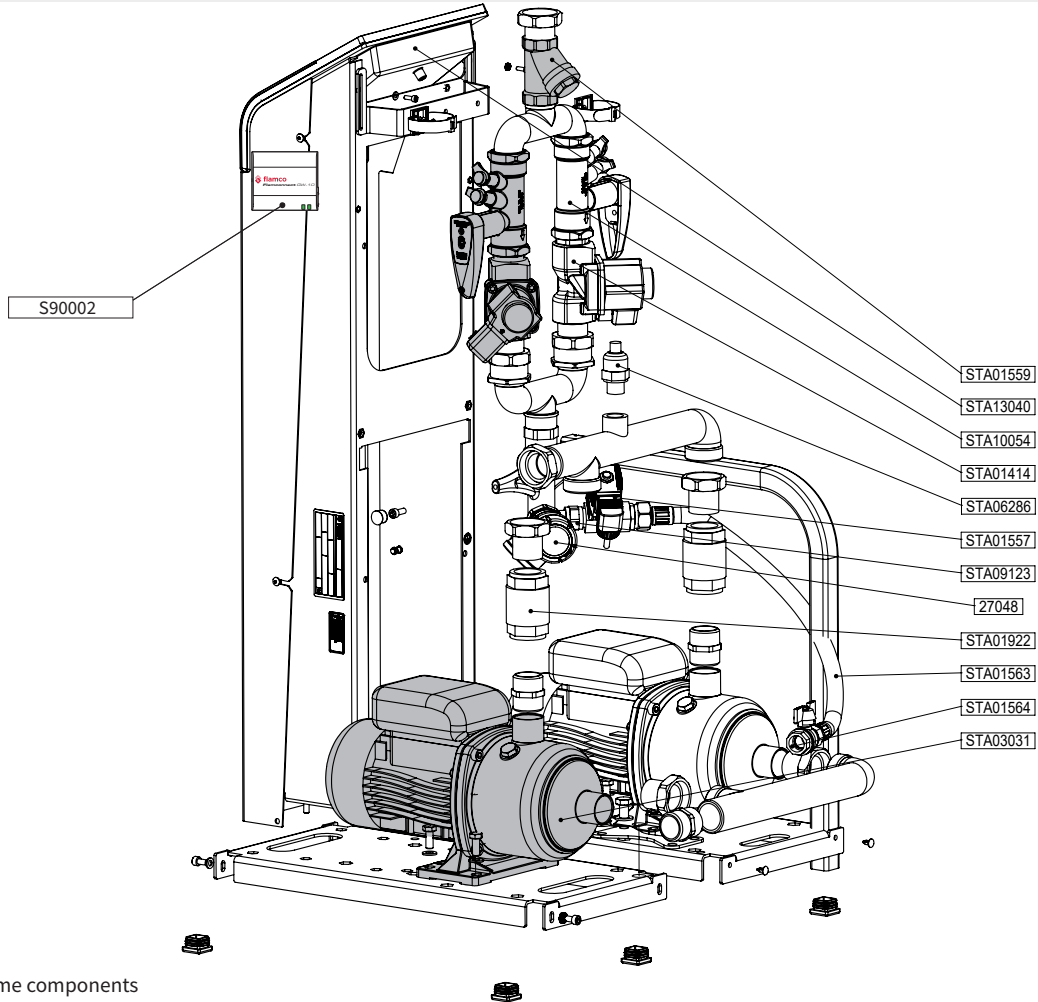


For good visibility some components may not be shown in the drawing.

#	Part name	Part number
1	Strainer 1"	STA01559
2	Flextronic Controller	STA13040
3	Control valve ½"	STA10046
4	Pressure sensor ½" 0-16 bar	STA06286
5	Solenoid valve ½"	STA09330
6	Solenoid valve ½" refill	STA01557
7	Non-return valve ½"	STA09123
8	Non return valve ¾" MS	STA03010
9	Prescor Safety Valve Rp1" x Rp1¼" 3.0bar	27048
10	Replacement pump (MM/DM)	STA13052
11	Hose for watermeter ¾" x ½"	STA01563
12	Ball valve ½"	STA01564
13	Flamconnect GW-10 Flextronic	S90002

Flamcomat MP G4 Remote D02

Article number: 17949

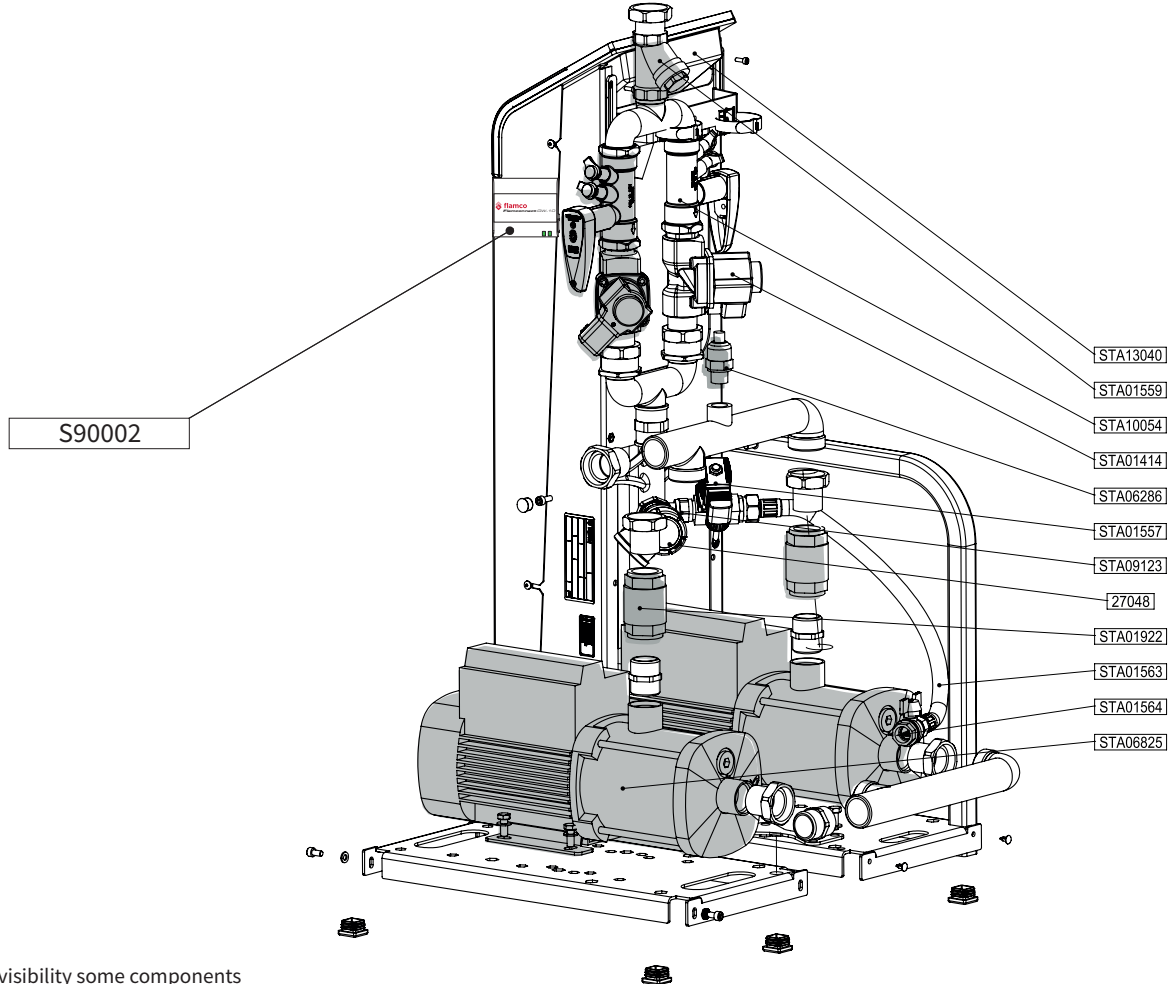


For good visibility some components may not be shown in the drawing.

#	Part name	Part number
1	Flextronic	STA13040
2	Strainer 1"	STA01559
3	Balancing valve DN25S	STA10054
4	Pressure sensor 1/2" 0-16 bar	STA06286
5	Solenoid valve 1" refill	STA01414
6	Non return valve 1"	STA01922
7	Solenoid valve 1/2" refill	STA01557
8	Non-return valve 1/2"	STA09123
9	Prescor Safety Valve Rp1" x Rp1 1/4" 3.0bar	27048
10	Hose for watermeter 3/4" x 1/2"	STA01563
11	Replacement pump (M0/M01/M02/D0/D01/D02)	STA03031
12	Ball valve 1/2"	STA01564
13	Flamconnect GW-10 Flextronic	S90002

Flamcomat MP G4 Remote D10

Article number: 17950

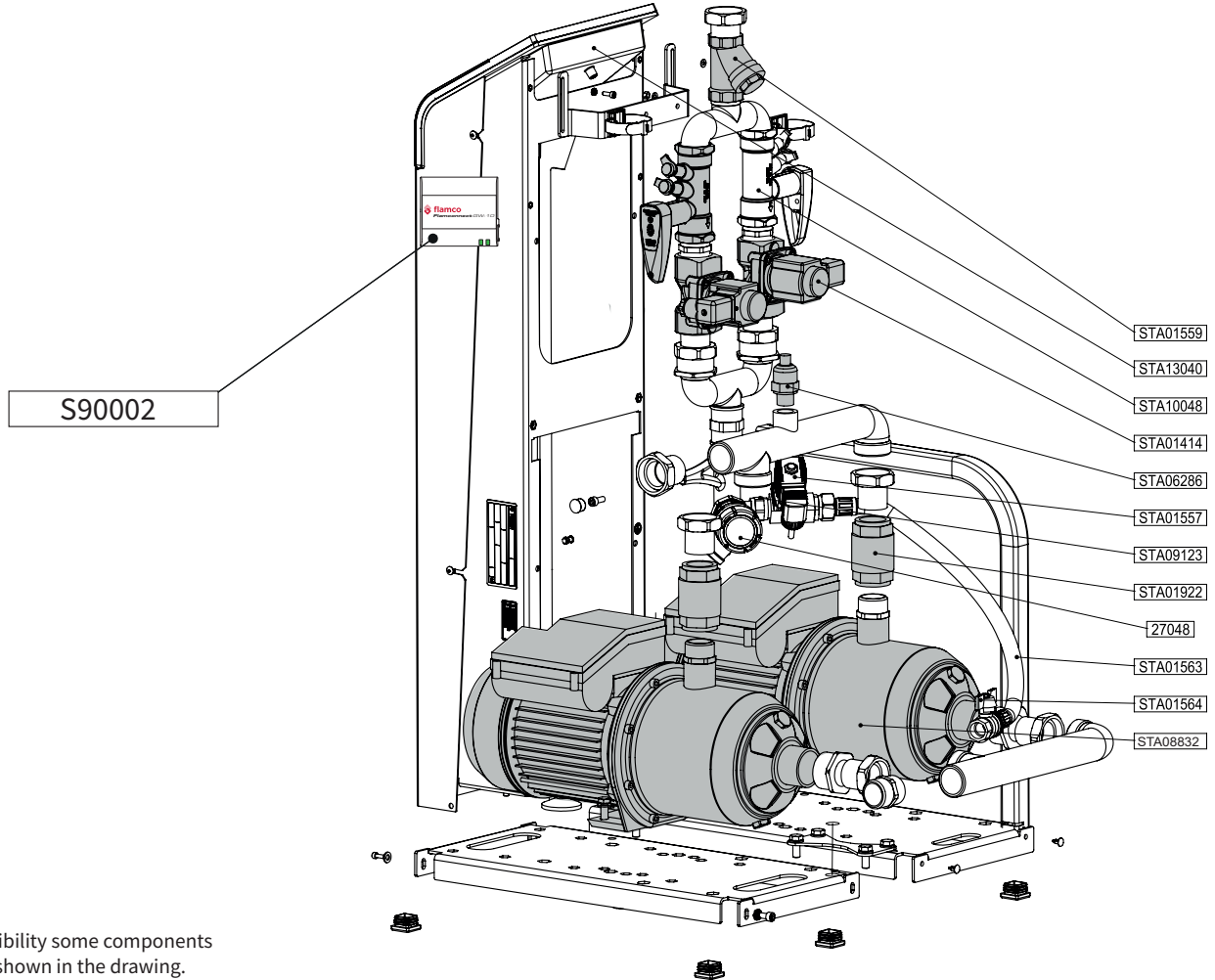


For good visibility some components may not be shown in the drawing.

#	Part name	Part number
1	Flextronic Controller	STA13040
2	Strainer 1"	STA01559
3	Balancing valve DN25S	STA10054
4	Solenoid valve 1" refill	STA01414
5	Pressure sensor 1/2" 0-16 bar	STA06286
6	Solenoid valve 1/2" refill	STA01557
7	Non-return valve 1/2"	STA09123
8	Non return valve 1"	STA01922
9	Prescor Safety Valve Rp1" x Rp1 1/4" 3.0bar	27048
10	Hose for watermeter 3/4" x 1/2"	STA01563
11	Replacement pump (M10/D10)	STA06825
12	Ball valve 1/2"	STA01564
13	Flamconnect GW-10 Flextronic	S90002

Flamcomat MP G4 Remote D20

Article number: 17951

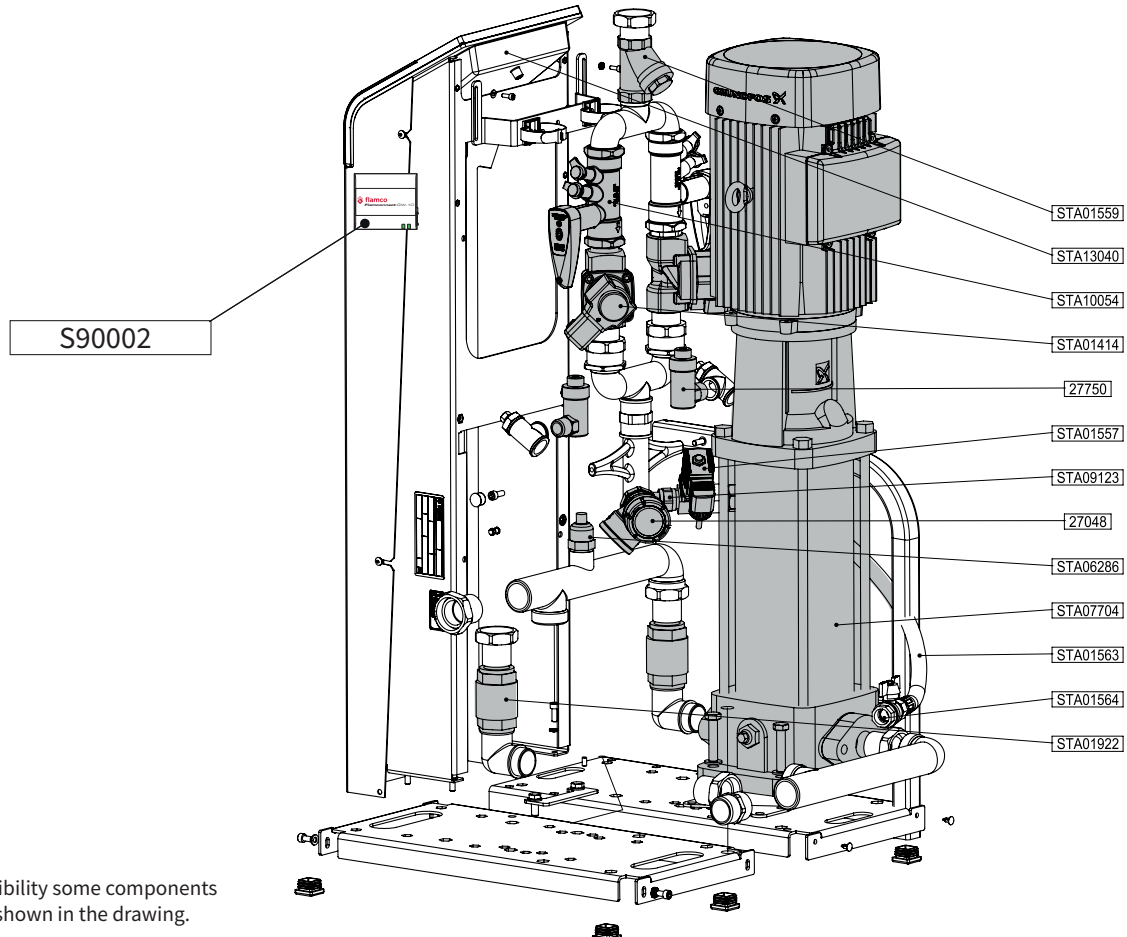


For good visibility some components may not be shown in the drawing.

#	Part name	Part number
1	Flextronic Controller	STA13040
2	Strainer 1"	STA01559
3	Balancing valve DN25H	STA10048
4	Solenoid valve 1" refill	STA01414
5	Solenoid valve 1/2" refill	STA01557
6	Pressure sensor 1/2" 0-16 bar	STA06286
7	Non-return valve 1/2"	STA09123
8	Prescor Safety Valve Rp1" x Rp1/4" 3.0bar	27048
9	Non return valve 1"	STA01922
10	Replacement pump (M20/D20)	STA08832
11	Hose for watermeter 3/4" x 1/2"	STA01563
12	Ball valve 1/2"	STA01564
13	Flamconnect GW-10 Flextronic	S90002

Flamcomat MP G4 Remote D60

Article number: 17952

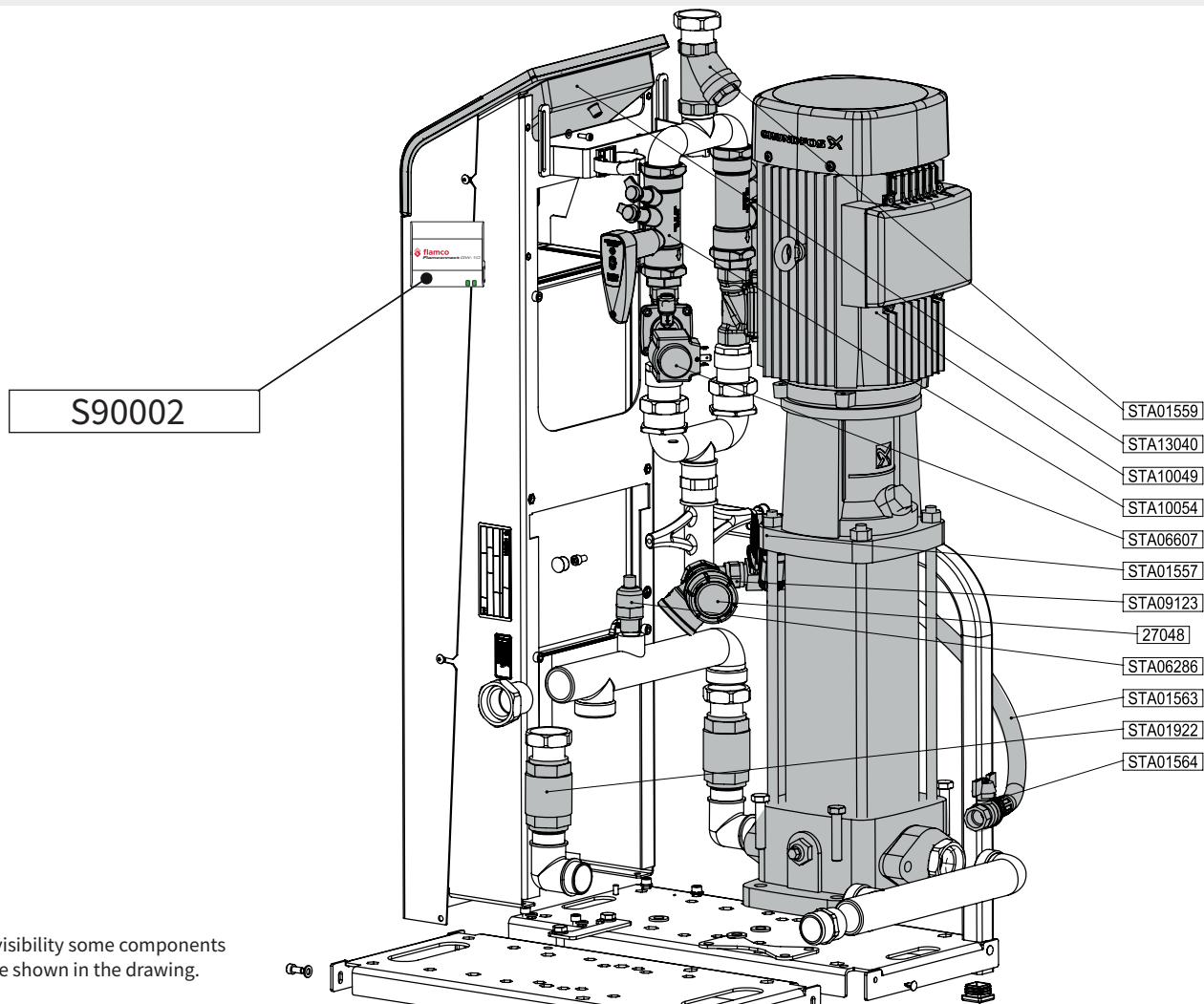


For good visibility some components may not be shown in the drawing.

#	Part name	Part number
1	Flextronic Controller	STA13040
2	Strainer 1"	STA01559
3	Balancing valve DN25S	STA10054
4	Flexvent float vent R3/8"	27750
5	Solenoid valve 1" refill	STA01414
6	Solenoid valve 1/2" refill	STA01557
7	Non-return valve 1/2"	STA09123
8	Prescor Safety Valve Rp1" x Rp1/4" 3.0bar	27048
9	Pressure sensor 1/2" 0-16 bar	STA06286
10	Replacement pump (M60/D60)	STA07704
11	Non return valve 1"	STA01922
12	Hose for watermeter 3/4" x 1/2"	STA01563
13	Ball valve 1/2"	STA01564
14	Flamconnect GW-10 Flextronic	S90002

Flamcomat MP G4 Remote D80

Article number: 17953

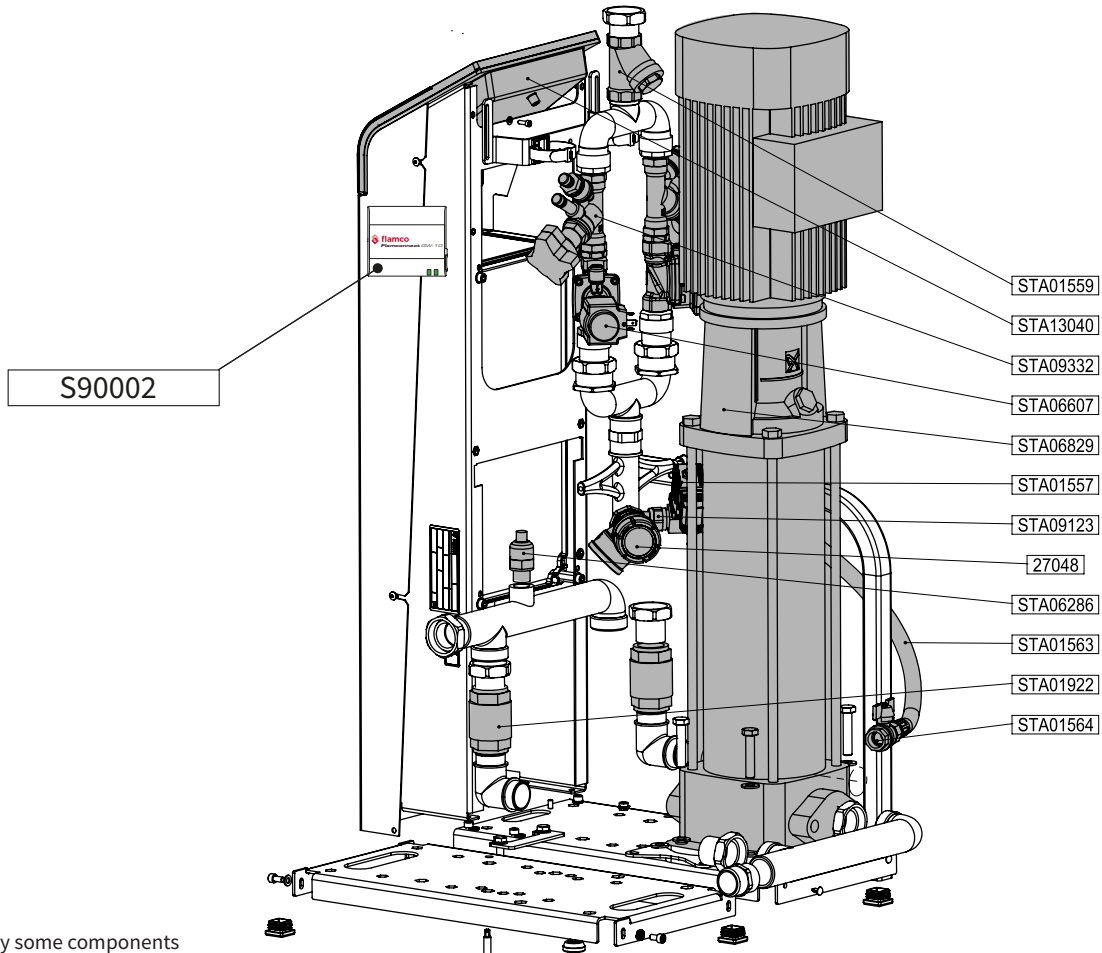


For good visibility some components may not be shown in the drawing.

#	Part name	Part number
1	Flextronic Controller	STA13040
2	Strainer 1"	STA01559
3	Balancing valve DN25S	STA10054
4	Solenoid valve ½"	STA06607
5	Solenoid valve ½" refill	STA01557
6	Non-return valve ½"	STA09123
7	Prescor Safety Valve Rp1" x Rp1¼" 3.0bar	27048
8	Replacement pump (M80/D80)	STA10049
9	Pressure sensor ½" 0-16 bar	STA06286
10	Hose for watermeter ¾" x ½"	STA01563
11	Non return valve 1"	STA01922
12	Ball valve ½"	STA01564
13	Flamconnect GW-10 Flextronic	S90002

Flamcomat MP G4 Remote D100

Article number: 17885

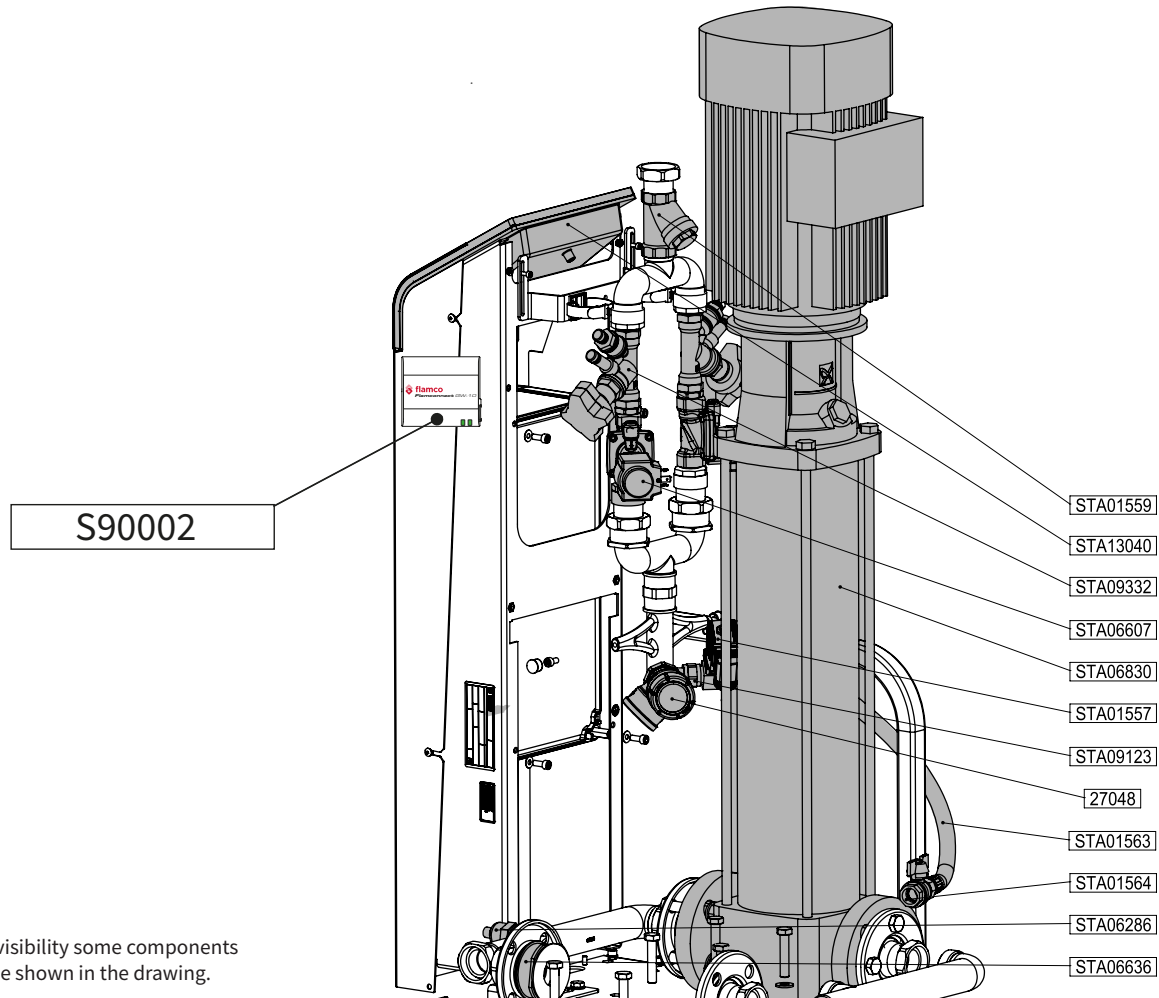


For good visibility some components may not be shown in the drawing.

#	Part name	Part number
1	Strainer 1"	STA01559
2	Flextronic Controller	STA13040
3	Control valve ½"	STA09332
4	Solenoid valve ½"	STA06607
5	Replacement pump (M100/D100)	STA06829
6	Solenoid valve ½" refill	STA01557
7	Non-return valve ½"	STA09123
8	Prescor Safety Valve Rp1" x Rp1¼" 3.0bar	27048
9	Pressure sensor ½" 0-16 bar	STA06286
10	Hose for watermeter ¾" x ½"	STA01563
11	Non return valve 1"	STA01922
12	Ball valve ½"	STA01564
13	Flamconnect GW-10 Flextronic	S90002

Flamcomat MP G4 Remote D130

Article number: 17887



For good visibility some components may not be shown in the drawing.

#	Part name	Part number
1	Strainer 1"	STA01559
2	Flextronic Controller	STA13040
3	Control valve ½"	STA09332
4	Solenoid valve ½"	STA06607
5	Replacement pump (M130/D130)	STA06830
6	Solenoid valve ½" refill	STA01557
7	Non-return valve ½"	STA09123
8	Prescor Safety Valve Rp1" x Rp1¼" 3.0bar	27048
9	Hose for watermeter ¾" x ½"	STA01563
10	Ball valve ½"	STA01564
11	Pressure sensor ½" 0-16 bar	STA06286
12	Non return valve M60/D130 (SPC)	STA06636
13	Flamconnect GW-10 Flextronic	S90002

Contact

The Netherlands

hydronic flow control
+31 36 62 300
info@flamcogroup.com
www.flamcogroup.com

Belgium

hydronic flow control
+32 50 31 67 16
info@flamco.be

China

Flamco Heating Accessories
(Changshu) Ltd, Co.
+512 528 417 31
yecho@flamco.com.cn

Denmark

Flamco Denmark
+45 44 94 02 07
info@flamco.dk

Estonia

Flamco Baltic
+372 568 838 38
info@flamco.ee

Finland

Flamco Finland
+010 320 99 90
info@flamco.fi

France

hydronic flow control
+01 342 191 91
info@flamco.fr

Germany

Meibes System-Technik GmbH
+49 342 927 130
info@meibes.com

Germany

Flamco GmbH
+49 2104 80006 20
info@flamco.de

Hungary

Flamco Kft
+36 23 880981
info@flamco.hu

Italy

Flamco Italy
+39 342 132 41 88
marco.martinoia@flamcogroup.com

Poland

Flamco Sp. z oo
+48 65 529 49 89
info@flamco.pl

Poland

Meibes Sp. z oo
+48 65 529 49 89
info@meibes.pl

The Russian Federation

ООО „Майбес РУС“
+7 495 727 20 26
moscow@meibes.ru

Sweden

Flamco Sverige
+ 050 042 89 95
vvs@flamco.se

Switzerland

Flamco AG
+41 41 854 30 50
info@flamco.ch

The United Arab Emirates

Flamco Middle East
+971 4 8819540
info@flamco-gulf.com

The United Kingdom

Flamco Limited
+ 017 447 447 44
info@flamco.co.uk

Flamco B.V.
Fort Blauwkapel 1
1358 LB Almere
the Netherlands
+31 36 52 62 300
info@flamco.nl
www.flamcogroup.com

Copyright Flamco B.V., Almere, the Netherlands. No part of this publication may be reproduced or published in any way without explicit permission and mention of the source. The data listed are solely applicable to Flamco products. Flamco B.V. shall accept no liability whatsoever for incorrect use, application or interpretation of the technical information. Flamco B.V. reserves the right to make technical alterations.

Spare_Parts_Charst_Flamcomat_MP_G4_Remote_2024-03