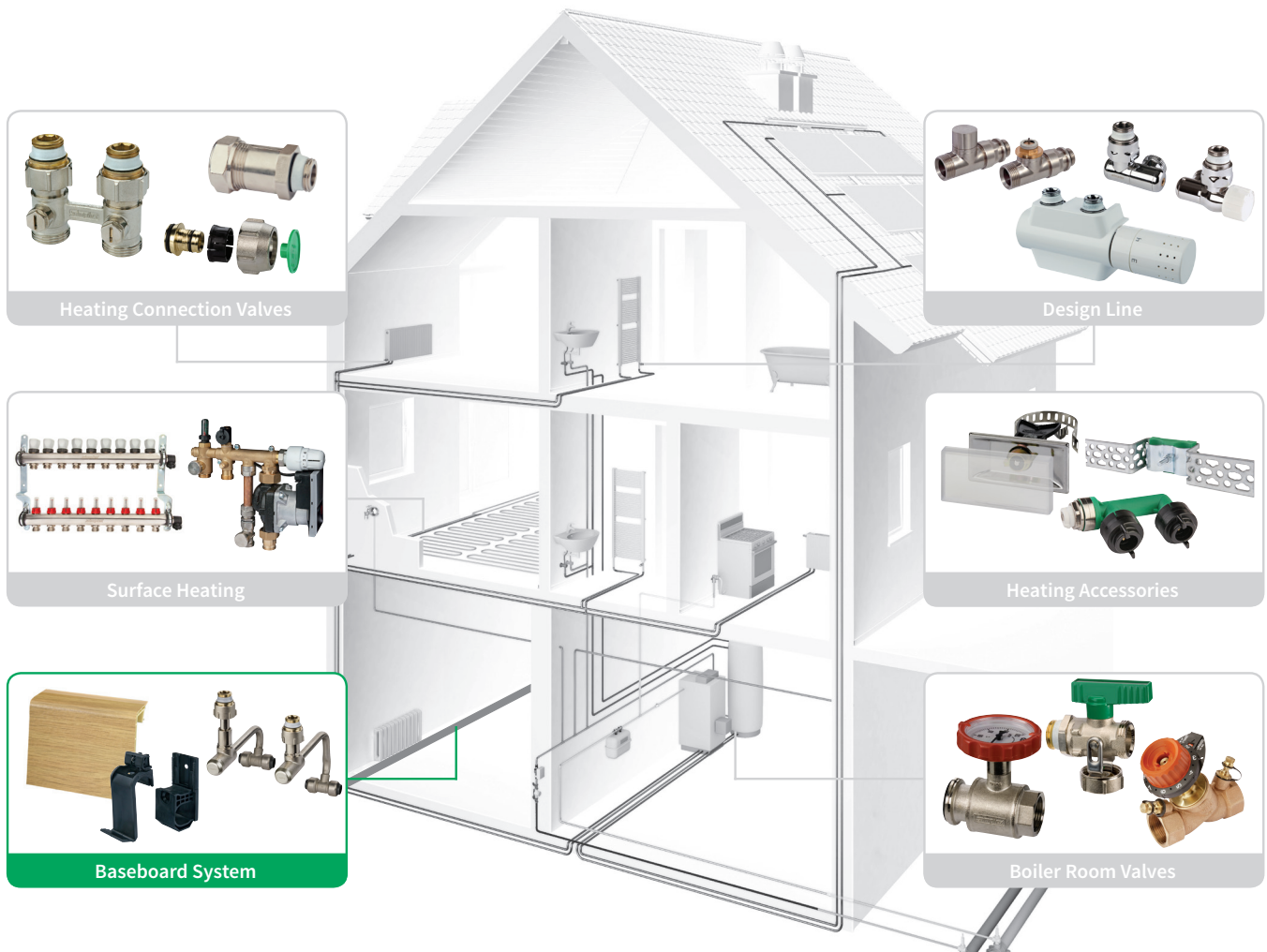




## Baseboard System

- Complete installation programme
- Trouble-free and time-saving installation
- Various connection kits for all types of pipe

## Simplex Products at a Glance



## Simplex Baseboard System for Higher Demands

Simplex offers a complete installation range for exposed heating pipes and heating pipes with electric cables. The practical solution is ideal for refurbishment and renovation work, but also for new buildings and industrial premises where the pipes have to remain exposed and accessible.

The Simplex Baseboard System includes the Following:

- ◆ Mounting brackets **NEW**
- ◆ Baseboards
- ◆ Connection valves
- ◆ Electric cable channel, rising pipe profiles

## | Simplex Baseboard System – the Tidy Solution



### **Product Benefits at a Glance:**

- ◆ Complete installation programme
- ◆ A variety of decor options
- ◆ Trouble-free and time-saving installation
- ◆ Various connection kits for all types of pipe
- ◆ Fast and tidy installation, even in occupied buildings
- ◆ Retrofitting is also possible
- ◆ Even long elements can be installed by one person
- ◆ One baseboard for all applications
- ◆ Cable channel combined with baseboard

# The KOMFORT PLUS Mounting Bracket for all Types of Installation

**NEW**

## KOMFORT PLUS Mounting Bracket

### Benefits:

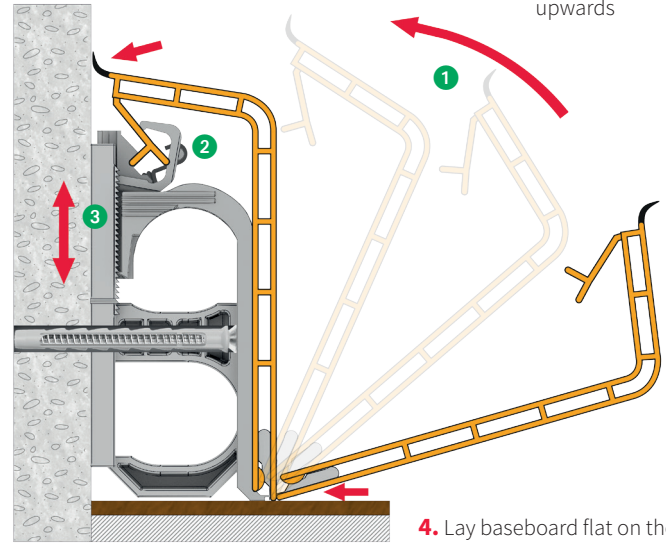
- ◆ Bracket for new installations and retrofits
- ◆ Reduced storage
- ◆ Folding mechanism **1** and spring claw **2** for convenient installation
- ◆ Spring catch for convenient height adjustment **3** of up to 22 mm independently of the pipe system
- ◆ Lower part can optionally be used
- ◆ No need for angle or special brackets

### Additional Features

- ◆ Use with pipe outer diameters up to 22 mm
- ◆ Wall-mounted using 8 mm impact anchors
- ◆ With additional corner cut-out for retrofit of low voltage cables (e.g. phone, IT cables)

**6.** Baseboard locks into place at top - sealing lip closes tightly against the wall

**5.** Swivel baseboard upwards



**4.** Lay baseboard flat on the floor and insert fixing lug

**NEW**



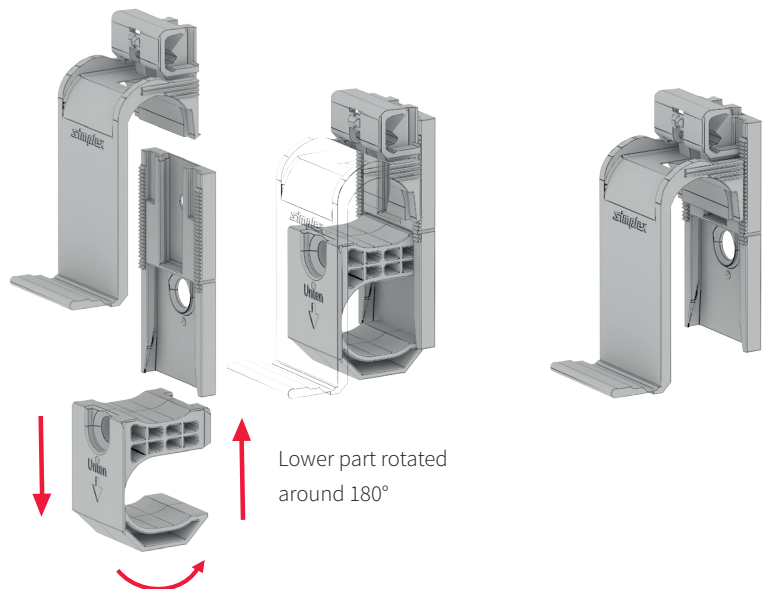
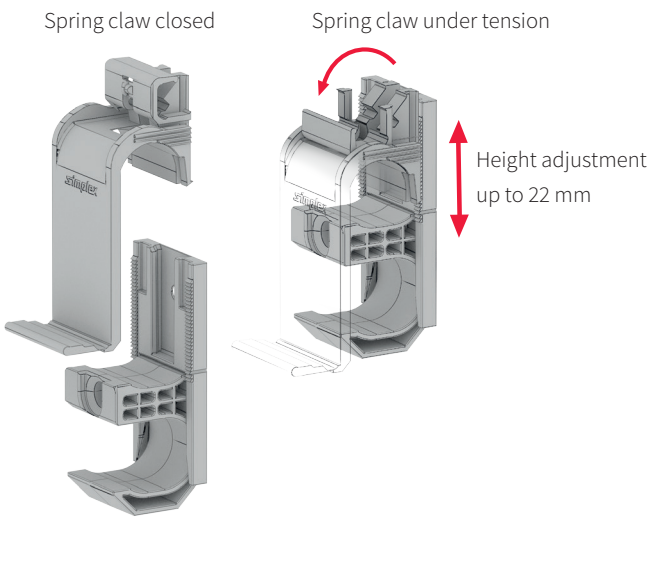
Article no.  
F72003

## Installation Options

1. Use prior to pipe installation

2. Use with existing pipe installation

3. Use without lower part





# Simplex Baseboard System – Quick, Easy and Neat Installation

## Quickly installed in six steps

The convenient folding mechanism ensures secure installation of the baseboard, and also allows longer lengths to be installed by a single person. The flexible sealing lip ensures a gap-free connection against the wall.



**1.** Attach wall holder plate and lower part of mounting bracket



**2.** Install pipes



**3.** Attach upper part and tighten spring claw



**4.** Insert baseboard into fixing lug



**5.** Swivel baseboard upwards



**6.** One click and you're done!

## Retrofit installation



**1.** Attach lower part of mounting bracket rotated around 180°



**2.** Insert wall holder plate and screw in place



**3.** Attach upper part, tighten spring claw and assemble as described from **4.** onwards.

**Note:** Also suitable for use without lower part when retrofitting in tricky situations.

# Baseboard Profiles with Multiple Decor Options

## N and T Baseboard System Profiles

The baseboard system is available in 6 different decors in an N 'Normal' version and in a T 'Special' version for carpet floors with self-adhesive tape.



Baseboard N



Baseboard T

## Various Decor Options

Always colour-coordinated: the baseboard system elements are available in the decor colours white, grey, oak dark and light, beech and maple.

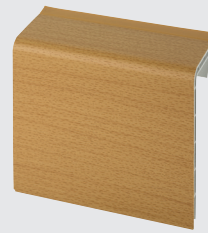


## Advantages

- ◆ Sturdy plastic hollow profile
- ◆ Flexible sealing lip as wall joint
- ◆ A wide range of decor options
- ◆ Fast and easy installation
- ◆ Even long elements can be installed by one person
- ◆ Simple installation of inner and outer corners, and butt connectors without the need for drilling

## Baseboard N

Sturdy plastic hollow profile with soft sealing lip against the wall, white and grey baseboard with a protective film to protect against dirt (remove after installation!), decorative PVC trims with adhesive decorative film. Sold only unmixed in the relevant box size!



### Profile length 4 m

Article no.	Version	Article no.	Version
F70001.1	white <sup>1</sup>	F70101	white <sup>1</sup>
F70002.1	grey <sup>2</sup>		
F70003.1	oak light		
F70004.1	oak dark		
F70005.1	beech		
F70008.1	maple		



### Profile length 2 m

Outer Corner N	Inner Corner N	End Piece left N	End Piece right N	Butt Connector N	Notching Pliers	
Article no.	Article no.	Article no.	Article no.	Article no.	Version	Article no.
F70015	F70031	F70045	F70061	F70075	white <sup>1</sup>	F13982
F70016	F70032	F70046	F70062	F70076	grey <sup>2</sup>	
F70017	F70033	F70047	F70063	F70077	oak light	For cutting the
F70018	F70034	F70048	F70064	F70078	oak dark	baseboard where
F70019	F70035	F70049	F70065	F70079	beech	the pipe passes
F70022	F70038	F70052	F70068	F70082	maple <sup>3</sup>	through

<sup>1</sup> white, similar to RAL 9016, <sup>2</sup> grey, similar to RAL 7035, <sup>3</sup> without grain

# Electric Cable Channels

The optimum solution for electrical and heating lines.  
Baseboard system N with electric cable channel.

- ◆ Modular system
- ◆ Simplified storage
- ◆ Flexible sealing lip against the floor and wall
- ◆ Reduced thermal load through double-walled plastic hollow profile
- ◆ Divider for low current and computer lines

## Electrical Socket Box for Baseboard System with Electric Cable Channel

Fits conventional socket inserts.

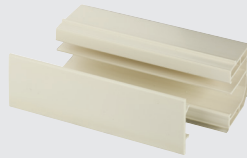
Article no.	Version
F72051	white <sup>1</sup>



## Electric Cable Channel

Plastic hollow profile with soft sealing lip against the floor. Reduced thermal load through double-walled plastic hollow profile. Additional divider for low current or computer lines. Profile length 4 m.

Article no.	Version
F73001	white <sup>1</sup>



## Mounting Bracket K for Baseboard System with Electric Cable Channel

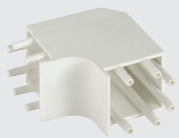
Combined baseboard holder for two pipes up to 22 mm outer diameter and electric cable channel, with spring clip and pipe lock, without fixing screw.

Article no.
F72050



## Outer Corner K and Inner Corner K for Cable Channel

Article no.	Version
F73010	white <sup>1</sup>
F73020	white <sup>1</sup>



## End Piece K and Butt Connector K for Cable Channel

Article no.	Version
F73030	white <sup>1</sup>
F73040	white <sup>1</sup>



## Rising Pipe Profile

For cladding rising pipes, plastic hollow profile, 3 m profile length. Sold only unmixed in the relevant box size!

### 3-sided

Article no.	Version	Dimensions*
F75001	white <sup>1</sup>	50 x 100 x 50 mm
F75002	white <sup>1</sup>	75 x 150 x 75 mm
F75003	white <sup>1</sup>	100 x 200 x 100 mm



### 2-sided

Article no.	Version	Dimensions*
F75005	white <sup>1</sup>	100 x 200 mm



\* Inner dimension

## Mounting Clip

### For 3-sided rising pipe profile

Article no.	Version	suitable for
F75090	white <sup>1</sup>	100 mm
F75091	white <sup>1</sup>	150 mm
F75092	white <sup>1</sup>	200 mm



### For 2-sided rising pipe profile

Article no.	Version	suitable for
F75093	white <sup>1</sup>	200mm



## Cover for Rising Pipe Profile

Article no.	Version	suitable for
F75784	white <sup>1</sup>	50 x 100 x 50 mm
F75884	white <sup>1</sup>	75 x 100 x 75 mm
F75984	white <sup>1</sup>	100 x 200 x 100 mm



## Soft Lip

For sticking on the rising pipe profile for wall and floor compensation.

Article no.	Version	Dimensions
F75085	white <sup>1</sup>	3 m



## Inspection Flap

With lock, powder-coated, for incorporation in the rising pipe profile.

Article no.	Version	Dimensions
F75095	white <sup>1</sup>	150 x 150 mm



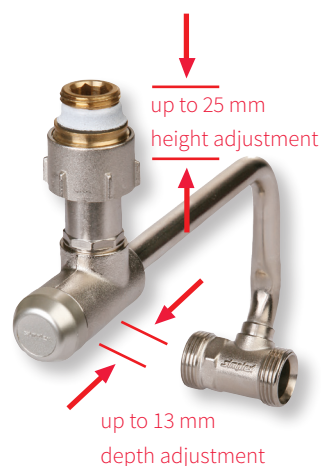
<sup>1</sup> white, similar to RAL 9016



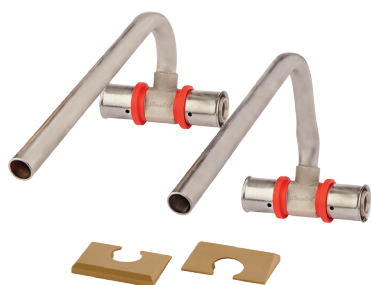
# Connection Valves for all Types of Pipe

## All Benefits at a Glance

- ◆ One valve set for 1-, 2- and 3-layer radiators with integrated valve with Rp 1/2 female thread or G 3/4 m male thread
- ◆ Shut-off telescopic screw connection with convenient height and depth adjustment
- ◆ Trouble-free installation and operation of the valve from the front
- ◆ Rosettes act as visually clean finish to the baseboard
- ◆ Minimised storage work



VK 31 connection kit with convenient height and depth adjustment



Supply and return flow connections with nickel-plated copper bends also available separately.

## Basic equipment included with all VK 31 connection kits

- 2 pcs. Self-sealing connection nipples G 1/2 m x G 3/4 m for radiator with Rp 1/2 female thread
- 2 pcs. Cone inserts for radiator with G 3/4 m male thread
- 2 pcs. Telescopic angle valves with height and depth adjustment
- 1 pc. Supply connection with soldered copper bend (nickel-plated) Ø 12 mm
- 1 pc. Return connection with soldered copper bend (nickel-plated) Ø 12 mm
- 2 pcs. ea. Covering rosettes in white, oak light and oak dark

## VK 31 Euro Taper Connection Kit

For connection using Simplex compression adapters (F-series), blind cap F10399 available for closure.



Article no.	Dimensions
F13468	G3/4f x G3/4m Euro taper

## VK 31 Connection Kit with Press Connection

Press connection for M and V profile for copper, carbon steel and stainless steel pipes, end plugs F13466 and F13467 available for closure.

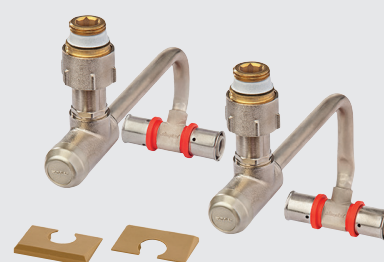


Article no.	Dimensions
F13469	G3/4f x 15 mm
F13470	G3/4f x 18 mm
F13479	G3/4f x 22 mm

Supply and return flow connections with nickel-plated copper bends also available separately.  
(Art. no. F13471 - 15 mm, F13472 - 18 mm)

## VK 31 UNI U/TH/F/H Connection Kit

With press connection for plastic and multilayer composite pipes, for U, TH, F and H profile.



Article no.	Dimensions
F13481	G3/4f x 20 x 2 mm
F13482	G3/4f x 16 x 2 mm

Supply and return flow connections with nickel-plated copper bends also available separately.  
(Art. no. F13483 - 20 x 2 mm, F13484 - 16 x 2 mm)

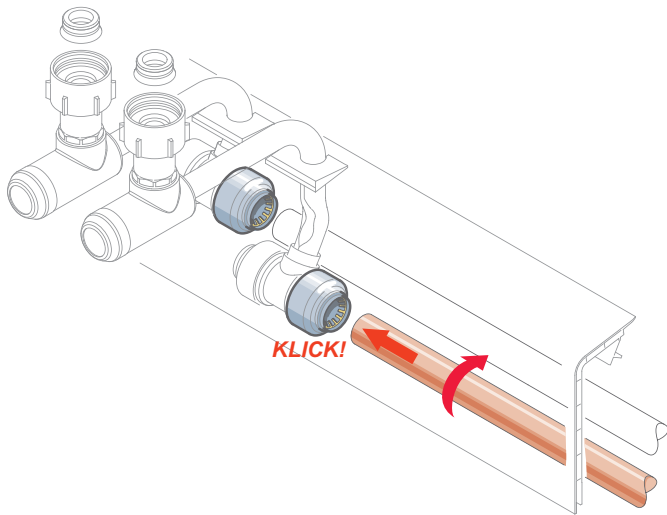


### VK 31 TECTITE Connection Kit

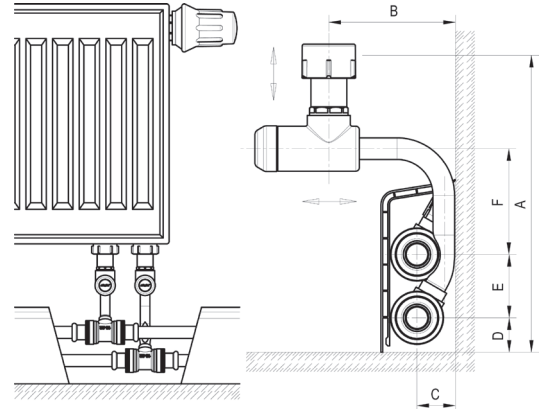
For copper, carbon steel and stainless steel pipe.  
In 15 and 18 mm dimensions.

- ◆ Direct insertion of the connecting pipe using TECTITE push-fit connection without the need for tools
- ◆ Connection rotatable and removable at all times with a demounting clip
- ◆ Practically proven push-fit technology

VK 31 TECTITE connection kit:  
simply push-fit, rotatable and removable at any time



### Dimensional Drawing of VK31 Connection Kit



For radiator with integrated valve with	A*		B*		C	D	E	F
	min.	max.	min.	max.				
Rp1/2	175	200	50	175	22	19	35	59
G3/4m	164	189	50	175				

\* up to radiator connection

Dimensions in mm

More dimensional drawings can be found on our website at  
[www.simplex-armaturen.de](http://www.simplex-armaturen.de)

### VK 31 SIROCON Connection Kit

SIROCON connection valves for combining with any push-fit fittings and associated adapters. Suitable for use with all pipe connections from 12 to 22 mm outer pipe diameter. Please find more detailed information on adapters later in this brochure.

### VK 31 Connection Kit with TECTITE Push-fit Connection

For copper, carbon steel and stainless steel pipes.  
End plugs F13466, F13467 available for closure.



Article no.	Dimensions
F13460	G3/4f x 15 mm
F13461	G3/4f x 18 mm

Supply and return flow connections with nickel-plated copper bends also available separately. (Art. no. F13459 - 15 mm, F13462 - 18 mm)

### VK 31 SIROCON Connection Kit

For use in combination with SIROCON system adapters (see next page). Suitable for use with all pipe connections with 12 to 22 mm outer pipe diameter. End plugs F13425 available for closure.



Article no.	Dimensions
F13450	G3/4f x SIROCON

Supply and return flow connections with nickel-plated copper bends also available separately. (Art. no. F13452)

# VK 31 SIROCON Connection Kit Accessories

SIROCON system adapters offer significant technical and cost-effective benefits.

## Press anywhere

Press connections even work in confined and hard to reach places. Easy and quick to use. Installation and pressing mistakes are largely a thing of the past.

## Dimension-less push-fit fittings

Minimal stock requirement, versatile uses.

## Extensive range

Adapters for copper, carbon steel, stainless steel, plastic and multilayer composite pipes. Transitions to male threads, female threads and Euro taper.

## Friction-fit, detachable connection

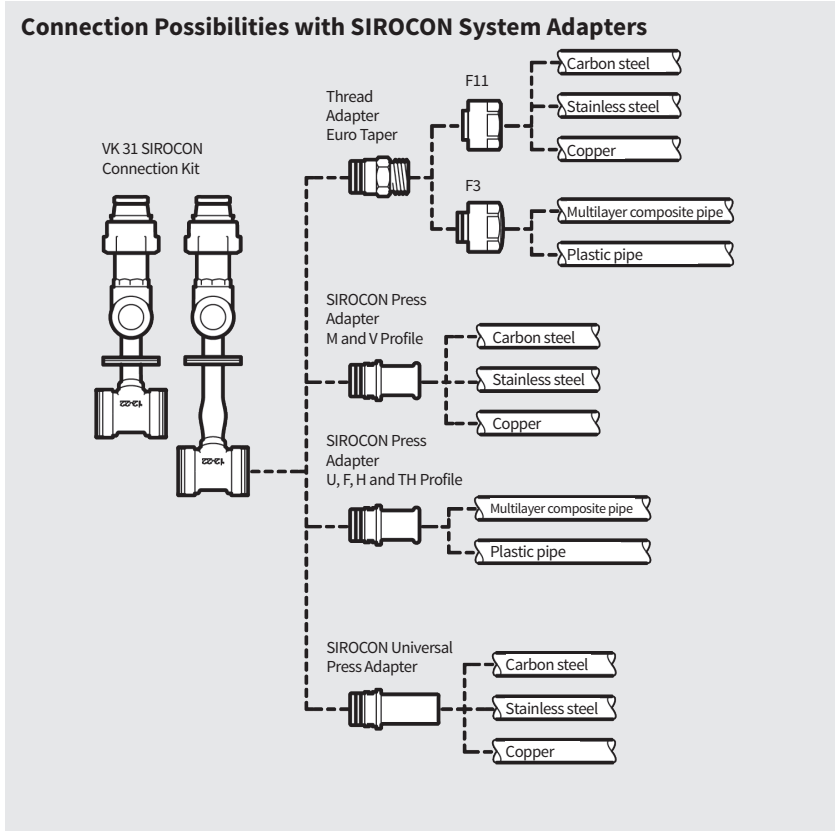
Press connection with friction-fit push-fit connector. Detachable connection is secured against unintentional demounting. Double O-ring seal.

## System adaptations

The SIROCON press/push-fit system can be ideally combined with existing systems. Simplex offers system adapters for different systems to take advantage of the wide range and savings in terms of storage capacity.

## Guarantee

When system adapters are used, Simplex accepts responsibility for the warranty of the push-fit connection part. The guarantee for the pipe press connection is borne by the respective system manufacturer in accordance with the terms of their guarantee agreement. The system manufacturer's installation instructions must be observed.



## SIROCON Press Adapter for Unipipe U Profile

For Unipipe pipes with system guarantee.



Article no.	Dimensions
F13201	16 x 2 mm
F13203	20 x 2.25 mm

## SIROCON Press Adapter for M and V Profile

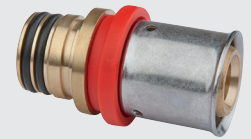
For copper, carbon steel and stainless steel pipes.



Article no.	Dimensions
F13111	12 mm
F13112	15 mm
F13113	18 mm
F13114	22 mm

## SIROCON Press Adapter for U, TH, F and H Profile

For plastic and multilayer composite pipes.



Article no.	Dimensions
F13313	16 x 2 mm
F13314	20 x 2 mm

## SIROCON Universal Press Adapter

For copper, carbon steel and stainless steel fittings



Article no.	Dimensions
F13315	pipe end 15 mm
F13316	pipe end 18 mm
F13317	pipe end 22 mm

### SIROCON Thread Coupling with Self-sealing Male Thread

With SIROCON push-fit connection.



Article no.	Dimensions
F13840	G1/2m

### SIROCON Thread Adapter with Female Thread

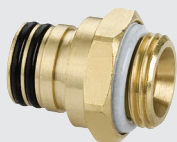
With SIROCON push-fit connection.



Article no.	Dimensions
F13101	Rp3/8
F13102	Rp1/2
F13103	Rp3/4

### SIROCON Thread Adapter with Self-sealing Male Thread

With SIROCON push-fit connection.



Article no.	Dimensions
F13106	G3/8m
F13107	G1/2m
F13108	G3/4m

### SIROCON Thread Adapter with Euro Taper

With SIROCON push-fit connection



Article no.	Dimensions
F13170	G 3/4m Euro taper

### Covering Rosette for Baseboard Cut-out



Article no.	Version	Dimensions
F13455	white <sup>1</sup>	12 mm
F13456	grey	12 mm
F13457	beech	12 mm
F13458	oak light	12 mm
F13449	oak dark	12 mm

### Telescopic Angle Valve

Adjustable shut-off connection, suitable for use with Simplex baseboard connections 12 mm, height adjustment (25 mm), depth adjustment (13 mm), integrated compression adapter 12 x 1 mm.



#### Type EV1 with self-sealing connection nipples

Article no.	Dimensions
F13427	G3/4f x 12 mm



#### Type EV2 with cone inserts

Article no.	Dimensions
F13428	G3/4f x 12 mm



### Telescopic Angle Valve with Drain

As above, drain fitted on right or left, includes drain-off plug and blind plug. With self-sealing connection nipples and cone inserts.



Article no.	Dimensions
F13445	G3/4f x 12 mm



NEW

### Adapter for Fill and Drain Plug

Suitable for use as an adapter for the connection of a standard hose connection.



Article no.	Dimensions
F13447	G1/4m x G3/4m Euro taper



NEW

### F3 Compression Adapter Set for Plastic and Multilayer Composite Pipes

2 pcs. for use behind Simplex baseboards, consisting of nut (wrench size 27 mm), plastic clamp ring and sleeve, O-ring seal on the sleeve, with fixed stop.



Article no.	Dimensions
F11461	14 x 2 mm x G3/4f Euro taper
F11463	17 x 2 mm x G3/4f Euro taper



### F11 Compression Adapter Set for blank, nickel- and chrome-plated Copper Pipes, Carbon Steel Pipes and Stainless Steel Pipes

2 pcs. for use behind Simplex baseboards, elastic seal, extended clamp ring for high pulling forces, no support sleeves required, SW 27 nut, with fixed stop.



Article no.	Dimensions
F11121	12 x 1 mm x G3/4f Euro taper
F11120	15 x 1 mm x G3/4f Euro taper
F11124	18 x 1 mm x G3/4f Euro taper



<sup>1</sup> white, similar to RAL 9016

