



Labelling Systems

- | Clear labelling modules for your orientation
- | Universal installation options for expert, professional labelling applications
- | Quick, clean and time-saving installation

| Simplex Products at a Glance



Labelling Systems

With our system, you can label pipes easily and professionally, and almost without using tools.

Whether sign holder systems made of corrosion-resistant stainless steel or plastic with various mounting and labelling options, or even pre-printed adhesive labelling tape – we offer the right solution for every application.

You can also use your custom company logo for added advertising impact.

Our range of labelling systems draws from the overall Simplex product range and includes the following areas:

- ◆ UNIVERSAL sign holder system, made of stainless steel
- ◆ QUICK sign holder, plastic construction
- ◆ Easy labelling options

I Quick and professional Labelling



Product Benefits at a Glance:

- ◆ *Corrosion free – made of stainless steel and/or plastic*
- ◆ *Wide variety of installation options*
- ◆ *Tool-free installation*
- ◆ *Weather-resistant labels*
- ◆ *Easy labelling options*

UNIVERSAL Labelling System - Installation Options

NEW



Universal Holder with Quick Release Rod

Quick release rod M8 (120 mm) 90° anchor for wall installation at a distance from the wall, pipe clamp for insulation up to 100 mm thick.

(Art. no. F55014)

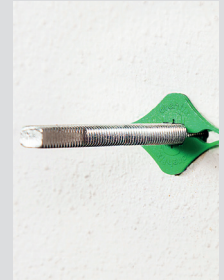
Mount to the pipe using a pipe clamp, or to all types of groove and system rails using rectangular threaded rod M8. Mount to the wall using a quick-anchor fixing and rectangular threaded rod M8 (90° rotation → tight).



Attachment with pipe clamp



Attachment in system rails



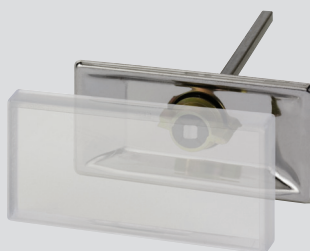
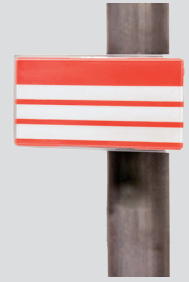
Attachment with special anchor (Art. no. F55016)



Universal Holder with Fixing Strap

Extends up to a pipe diameter of 200 mm, fixing strap roll for extension purposes. Tool-free installation on pipes up to DN 50 with fixing strap.

(Art. no. F55002)



Welding Holder

Pin 125 mm, made of steel, for pipe insulation up to 100 mm thick. The holder is welded to the pipe, single insulation is applied, and the sign holder is subsequently mounted.

(Art. no. F55004)



Screwed Holder

Screw or adhesively apply to pipe insulation with sheet metal plating, manifold cabinets, storage areas, rooms or shelves.

For quick and easy attachment.

(Art. no. F55006)

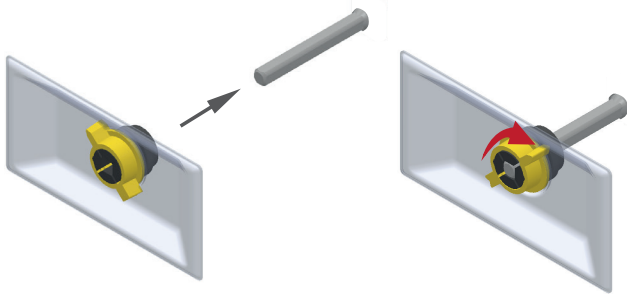


You can find accessories and spare parts in our product catalogue or at www.simplex-armaturen.de

Features

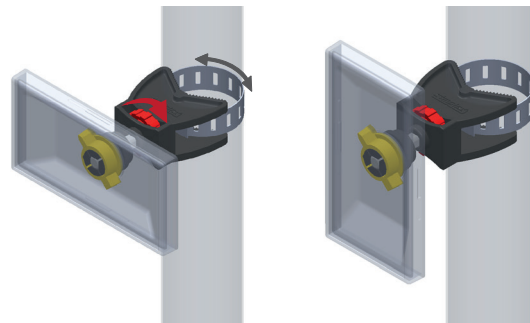
- Made of stainless steel and plastic - corrosion free
- Wide variety of installation options
- Signs can be mounted vertically or horizontally
- For 100 x 50 mm signs
- Can also be mounted on insulation
- Sign plates can be removed for easy insulation
- With transparent cover
- Blank signs with printable slide-in strips
- Labels made of special laser printable film

Easy attachment of the sign holder



Attach sign holder to holder rod To fix the sign holder in place, simply manually turn the nut by 90°

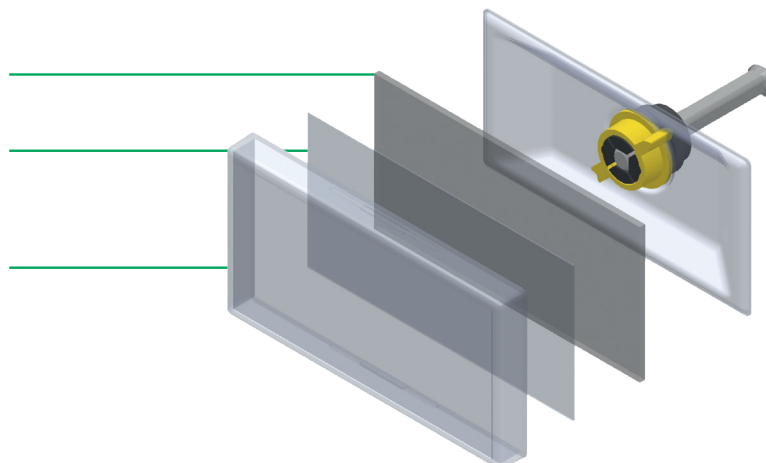
Attaching the fixing strap to the pipe



Insert fixing strap and tighten using the hand wheel. Vertical and horizontal attachment by easily attaching the sign holder and fixing it in place

Insert labels

1. Turn plastic inserts so that blank runners face toward the back
2. Insert the laser-printed label
3. Attach transparent cover



Your professional label is ready to go!

UNIVERSAL Labelling System - Types of Labelling

Universal types of labelling, compliant with common 100 x 50 mm requirements
– The perfect solution for a wide variety of applications.

Signs Labels



Strips can be labelled using a regular printer, or by hand

- without blank runners (Art. no. F55101)
- with one blank runner (Art. no. F55103)
- with two blank runners (Art. no. F55104)

Available in a variety of DIN EN system colours

(use the sign's Art. no. + followed by suffix: e.g. sign without blank runners, grey F55101.03)

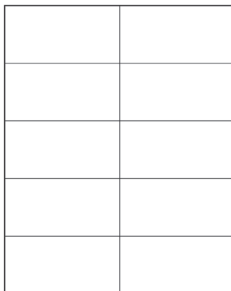
Without company logo:

white (.01) grey (.03) green (.04) blue (.05) red (.06) yellow (.07) orange (.11)

With company logo:

white (.51) grey (.53) green (.54) blue (.55) red (.56) yellow (.57) orange (.61)

NEW



Special Labels

(Art. no. F55015)

Weather-resistant special film (heat and moisture resistant)

Can be printed using a laser printer,

10 A4 sheets with 10 labels each, perforated

Usable with almost all common laser printers using the foil/film or label printing function

White blank sign required

Permanent durability, professional presentation

Find print templates at www.simplex-armaturen.de

Screwed holders with special laser-printed film, in a practical example



QUICK Sign Holder

Features

- Plastic construction - corrosion free
- Quick and tool-free installation
- Signs mounted vertically or horizontally
- For print-it-yourself 70 x 50.8 mm labels
- For pipe outside diameters up to 200 mm
- Can also be mounted on insulation
- With transparent cover
- Max. operating temperature (for installation on pipes): 90 °C, max. ambient temperature: 40 °C



Special Labels

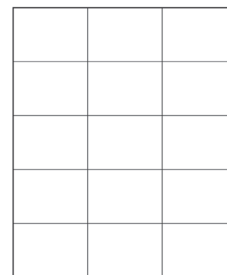
(Art. no. F55023)

Weather-resistant special film (for direct sunlight or raised humidity levels)

Can be printed using a laser printer,

10 A4 sheets with 15 labels each, self-adhesive.

Find print templates at www.simplex-armaturen.de





12/2016

Simplex Armaturen & Systeme GmbH
Isnyer Strasse 28
88260 Argenbühl
Germany

Phone: +49 75 66 94 08-0
Fax: +49 75 66 94 08-75

info@simplex-armaturen.de
www.simplex-armaturen.de

The photos in this brochure are for illustration only and may differ from the respective product.
Errors and technical changes reserved.