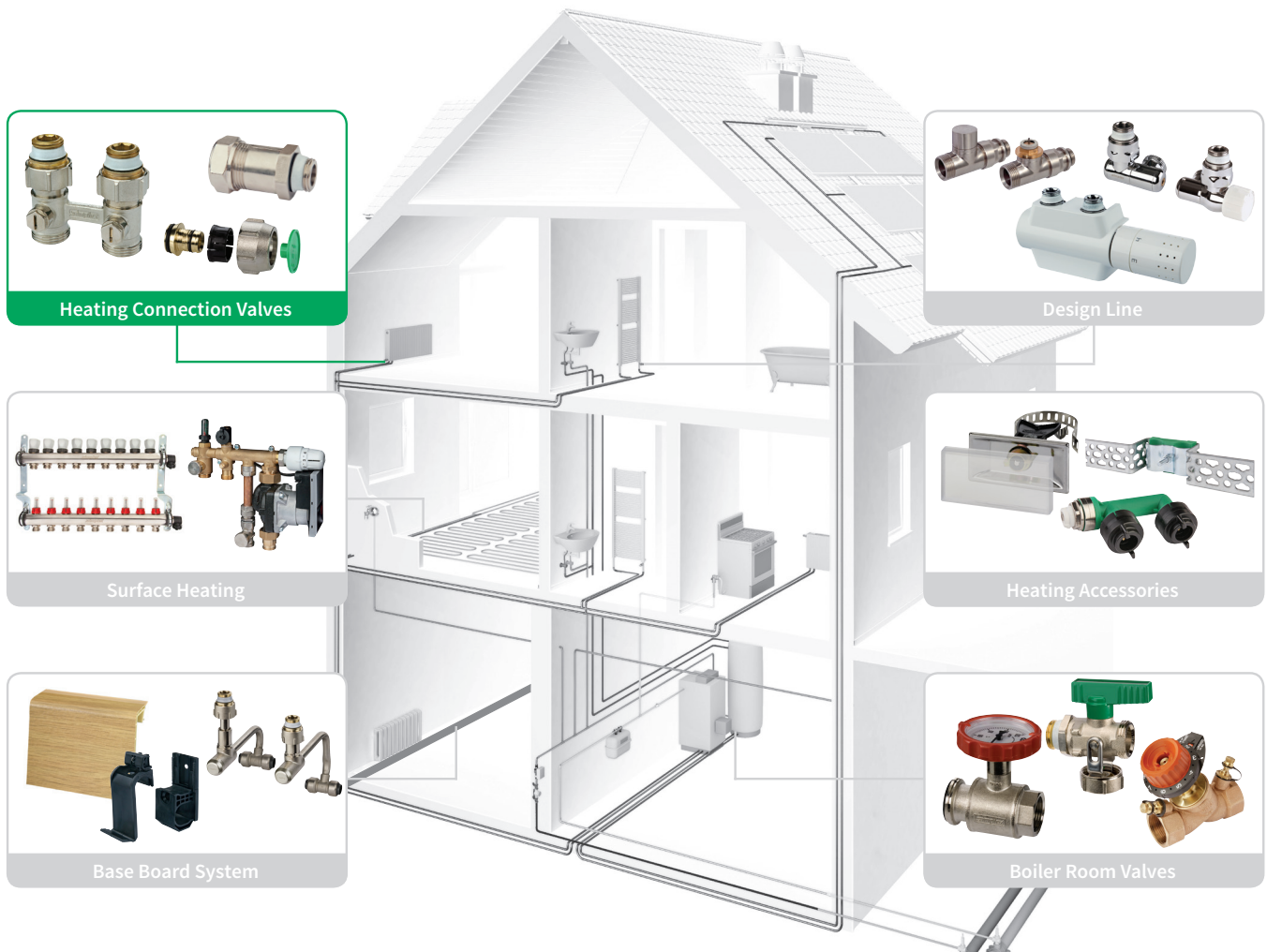




Problem-solvers – The Radiator Solution Range

- Height and depth compensation
- Continuously swivelling connections
- Reversal of supply and return flow
- Quick and clean radiator replacement

Simplex Products at a Glance



Tricky Situation? Not a Problem! Simplex has the Solution!

Tricky situations in heating installations can be overcome with ease with these proven problem-solvers from Simplex. Quickly and reliably rectify installation errors with our products. Vertical compensation, horizontal compensation or the inversion of supply and return flow can be done with ease. Solve tricky situations cleanly and simply without opening up the wall and creating mess.

Simplex Problem-solvers

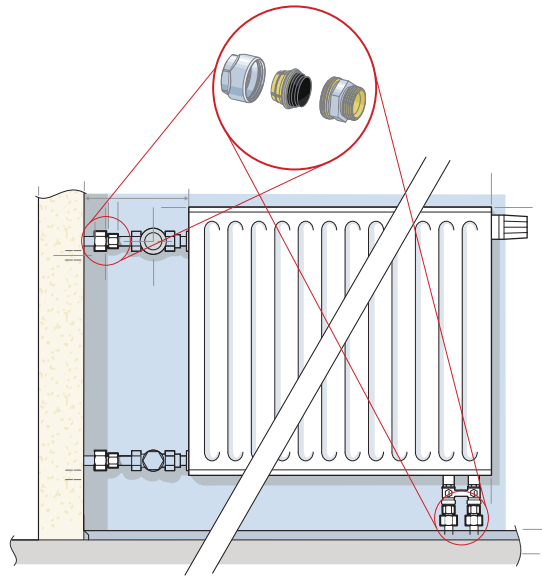
- ◆ Steel pipe adapter **NEW**
- ◆ VARIOCON connection valve with swivelling connections
- ◆ Reverser with shut-off
- ◆ H-modules with telescopic compensation
- ◆ 4-way H-module
- ◆ More problem-solvers, like telescopic T-pieces

Simplex Steel Pipe Adapters - the Innovation for the Clean and Fast Replacement of Radiators

New Simplex steel pipe adapters mean that the troublesome transport of welding equipment to site is now a thing of the past. This innovative new product is a real problem-solver when fitting new radiators to existing connection pipes.

Installation couldn't be simpler: the existing pipe is cut to size and the paint removed, then the pipe end is cleaned to the blank metal. Attach the adapter, tighten the compression adapter – you're done!

- ◆ No tapping
- ◆ No welding
- ◆ Suitable for recesses
- ◆ Installation-friendly
- ◆ Clamp fit



Simplex steel pipe adapters are the solution for simple and easy connection, even in confined recesses.



Installation-friendly

The Simplex steel pipe adapter simplifies the replacement of radiators. A clean, tidy connection is possible even in the most confined of spaces.

The nickel-plated finish ensures that the handy connection adapter matches every radiator valve and thus visually forms a single unit with the valve body.

Clean and tidy

A clean, tidy pipe connection is an integral part of a new and attractive radiator – without visible repairs, correctly bent connection pipes without any sign of welding. Save you and your customers welding work in freshly refurbished rooms and look after newly wallpapered walls with steel pipe adapters.

Simple

There is often no room to use taps in confined recesses. They are now a thing of the past with Simplex steel pipe adapters: simply place the steel pipe adapter on the blank pipe end and tighten the compression adapter. No need to open up the wall.

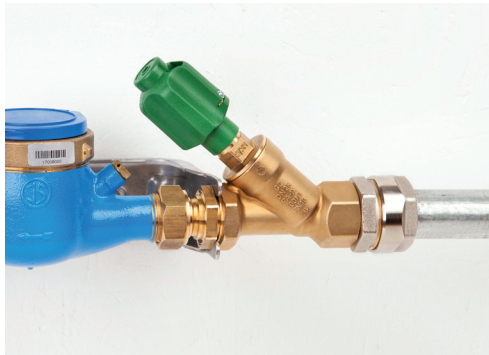
Steel Pipe Adapters PLUS

The New Generation – now also Suitable for Use with Domestic Water



- ◆ For heating and domestic water* with DVGW approval (registration number DW-8511CR0167)
- ◆ For steel pipes in accordance with DIN EN 10255
- ◆ Highly stress-resistant thanks to Simplex compression adapter technology
- ◆ Suitable for concealed use
- ◆ Max. operating pressure: 10 bar
- ◆ Max. operating temp.: 110 °C permanent temperature, 130 °C short-term
- ◆ Nickel-plated brass, parts that come in contact with domestic water are left blank
- ◆ Materials in accordance with the UBA (German Federal Environment Agency) recommendation

*DVGW certification as a brass clamp connector for galvanised steel pipes in accordance with DIN EN 10255 and DIN EN 10240 for use with cold water



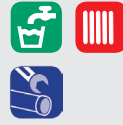
Application in domestic water installations* with galvanised DIN steel pipe



Application in heating installations with DIN steel pipe

Steel Pipe Adapter PLUS with Euro Taper

Screw connection with G3/4m Euro taper

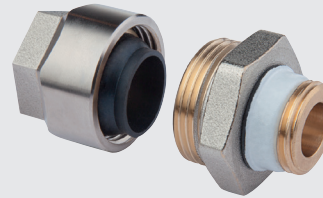


NEW

Article no.	Dimensions
F13063	Steel pipe 1/2" × G 3/4m Euro taper

Steel Pipe Adapter PLUS with Male Thread

Screw connection with male thread and self-sealing thread



NEW

Article no.	Dimensions
F13077	Steel pipe 3/8" × G1/2m
F13078	Steel pipe 1/2" × G1/2m
F13080	Steel pipe 3/4" × G3/4m
F13081	Steel pipe 1" × G1m
F13082	Steel pipe 1 1/4" × G 1 1/4m

Steel Pipe Adapter PLUS with Female Thread

Screw connection with female thread



NEW

Article no.	Dimensions
F13090	Steel pipe 3/8" × G1/2f
F13091	Steel pipe 1/2" × G1/2f
F13092	Steel pipe 3/4" × G3/4f
F13093	Steel pipe 1" × G1f
F13094	Steel pipe 1 1/4" × G 1 1/4f

Steel Pipe Adapters for Heating Systems

- ◆ For connecting thick-walled steel pipes (DIN EN 10255) to common connection types
- ◆ With SUPER BLUE clamp ring technology

- ◆ Note pressure and temperature limitations (please see mounting instruction)

Steel Pipe Adapter for Euro Taper

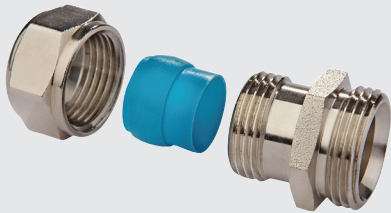
Nickel-plated brass screw connection, for G3/4m Euro taper



Article no.	Dimensions
F10348	Steel pipe 3/8" × G3/4f Euro taper
F10349	Steel pipe 1/2" × G3/4f Euro taper

Steel Pipe Adapter with Euro Taper

Nickel-plated brass screw connection, with G3/4m Euro taper



Article no.	Dimensions
F10577	Steel pipe 3/8" × G3/4m Euro taper
F10576	Steel pipe 1/2" × G3/4m Euro taper

Steel Pipe Adapter with Male Thread

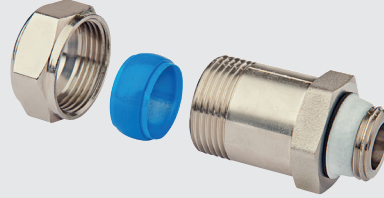
Nickel-plated brass screw connection with male thread



Article no.	Dimensions
F10564	Steel pipe 3/8" × R3/8
F10461	Steel pipe 3/8" × R1/2
F10463	Steel pipe 1/2" × R1/2
F10566	Steel pipe 3/4" × R1/2
F10569	Steel pipe 3/4" × R3/4
F10568	Steel pipe 1" × R1

Steel Pipe Adapter Long Sleeve

Nickel-plated brass screw connection with male thread and self-sealing thread



Article no.	Dimensions
F10481	Steel pipe 3/8" × G1/2m
F10483	Steel pipe 1/2" × G1/2m
F10485	Steel pipe 3/4" × G3/4m
F10487	Steel pipe 1" × G1m

Steel Pipe Adapter with Female Thread

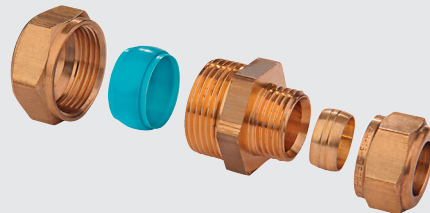
Nickel-plated brass socket connection with female thread



Article no.	Dimensions
F10470	Steel pipe 3/8" × Rp3/8
F10471	Steel pipe 3/8" × Rp1/2
F10473	Steel pipe 1/2" × Rp1/2
F10475	Steel pipe 3/4" × Rp3/4
F10476	Steel pipe 1" × Rp3/4

Steel Pipe Adapter

For connection of copper, carbon steel and stainless steel pipes to steel pipe, blank brass

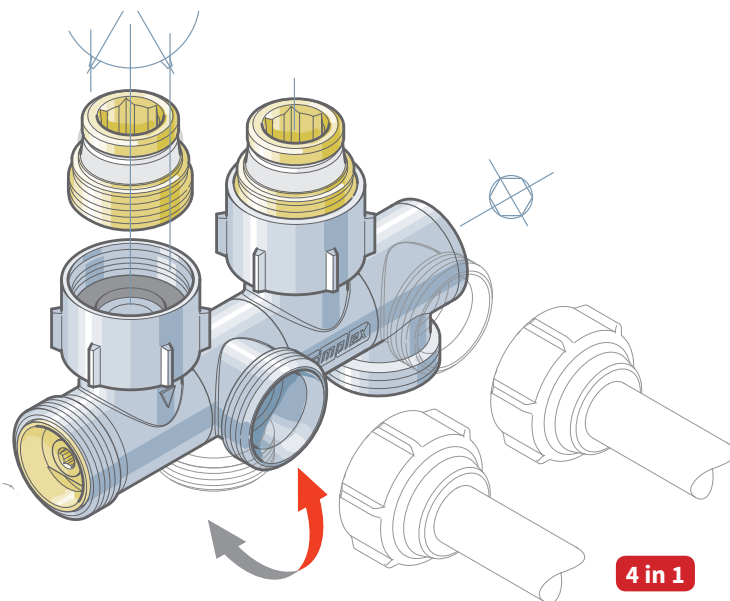


Article no.	Dimensions
F10570	Steel pipe 3/8" × 15 mm
F10571	Steel pipe 1/2" × 15 mm
F10573	Steel pipe 3/4" × 18 mm
F10572	Steel pipe 3/4" × 22 mm
F10574	Steel pipe 1" × 22 mm
F10575	Steel pipe 1" × 28 mm

Connection Valves for tricky Situations

Simplex Connection Valves:

- ◆ 50 mm axial distance
- ◆ Nickel plated brass
- ◆ Shut-off with stop
- ◆ Connecting nut with axial tolerance compensation for stress-free installation
- ◆ Sealing insert secured against slipping
- ◆ **Type 1:** With self-sealing connection nipple G 1/2 m × G 3/4 m, flat sealing for radiators with Rp 1/2 female thread
- ◆ **Type 2:** With cone insert for radiators with G 3/4 m male thread



VARIOCON Connection Valves

Connection right or left-handed, continuously swivelling

- ◆ Easy storage due to continuously swivelling connections for angle and straight connections
- ◆ For right or left-handed installation
- ◆ Drain without the need for an adapter by attaching a standard hose connection
- ◆ Self-sealing with self-sealing thread or cone insert
- ◆ Tolerance compensation – threaded nut has radial play for tension-free installation
- ◆ Visually attractive

Features:

- ◆ Angle connection / Straight connection
- ◆ Two-pipe system
- ◆ Left- or right-handed connection
- ◆ Shut-off
- ◆ 50 mm axial distance / 25 mm axial offset
- ◆ For connection using compression adapters

VARIOCON N Connection Valve



Type 1

Article no.

F12001 (Type 1)

F12002 (Type 2)

VARIOCON FE Connection Valve



Type 1

Article no.

F12003 (Type 1)

F12004 (Type 2)

Feature

Draining or filling without adapter

VARIOCON U Connection Valve



Type 2

Article no.

F10026 (Type 1)

F10027 (Type 2)

Feature

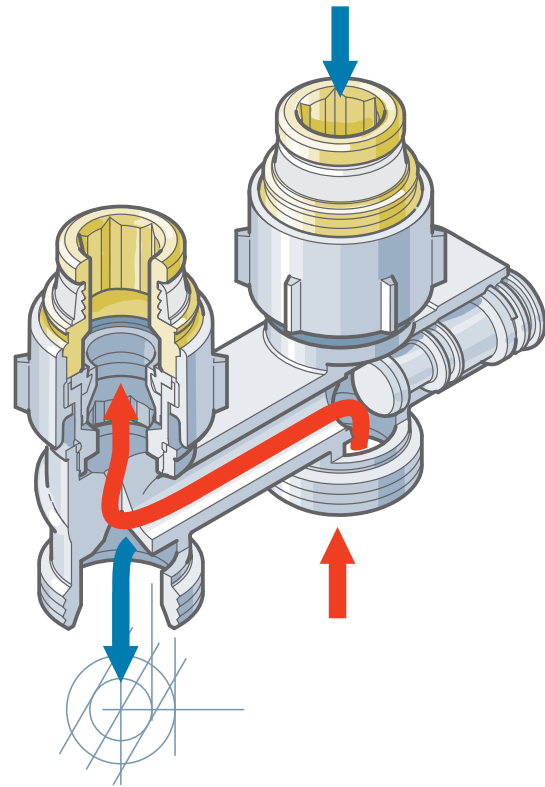
Drain or fill without adapter for single-pipe systems (25 - 100 % radiator supply ratio) or two-pipe systems

Reverser with Shut-off for Inverted Supply and Return Flow

Simplex Reversers with Shut-off

The reverser with shut-off is the ideal solution for connections without crossovers for inverted supply and return flow pipes – it is the classic amongst the problem-solvers.

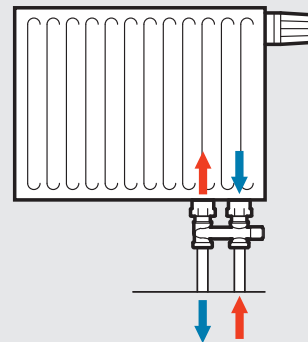
- ◆ Easily replaces an H-module (same height, same axial dimension)
- ◆ Supply and return flow can be shut off separately
- ◆ Stylish, disappears under the radiator
- ◆ With shut-off



- ◆ **Type 1:** With self-sealing connection nipple G 1/2 m × G 3/4 m, flat sealing for radiators with Rp 1/2 female thread
- ◆ **Type 2:** With cone insert for radiators with G 3/4 m male thread

Reverser with Shut-off

For connections without crossovers for inverted supply and return flow pipes, with G 3/4 m Euro taper for connection using compression adapters.



For connections without crossovers for inverted supply and return flow pipes

Article no.	Article no.	Version
F10076 (Type 1)	F10078 (Type 2)	Straight
F10077 (Type 1)	F10079 (Type 2)	Angle

H-modules with Telescopic Compensation – with up to 25 mm Height Adjustment

Simplex offers different version of H-modules with telescopic compensation (up to 25 mm height adjustment):

Connection with Compression Adapters:

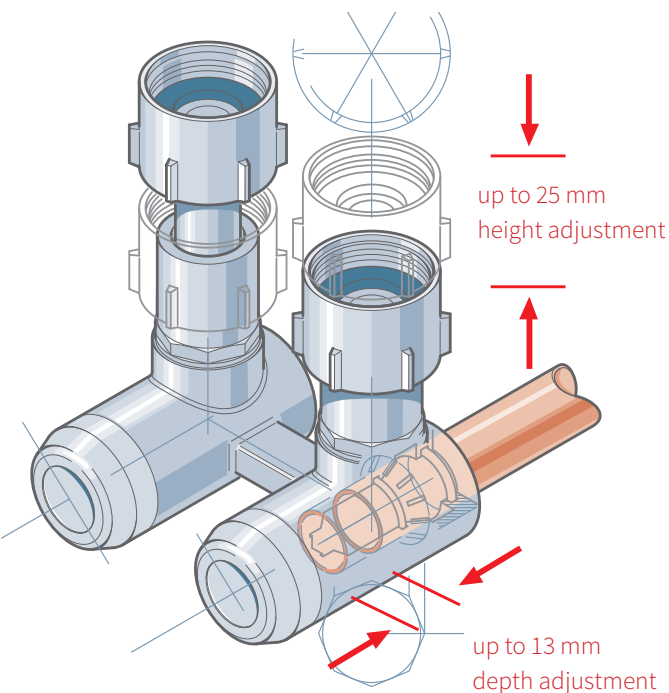
- ◆ EXCLUSIV H-module with G 3/4 m Euro taper

Push-fit Versions:

- ◆ TECTITE H-module with TECTITE push-fit technology
- ◆ MULTIGRIP H-module (additionally up to 13 mm depth compensation)
- ◆ Telescopic angle connection (additionally up to 13 mm depth adjustment, single connections)

Benefits of Push-fit Technology:

- ◆ Quick and simple assembly
- ◆ No need for compression adapters
- ◆ Connection can be removed at any time with ease
- ◆ Reusable
- ◆ For copper, stainless steel and carbon steel pipes



EXCLUSIV Two-pipe H-module

For connection using compression adapters. With connection nipples and cone inserts.



Article no.	Version	Dimensions
F10084	Straight	G3/4f × G3/4 m Euro taper
F10086	Angle	G3/4f × G3/4 m Euro taper

TECTITE Two-pipe H-module

With integral TECTITE push-fit connection. With connection nipples and cone inserts.



Article no.	Version	Dimensions
F10081	Straight	G3/4f × 15 mm
F10083	Angle	G3/4f × 15 mm

MULTIGRIP Two-pipe H-module

Additionally up to 13 mm depth adjustment, integrated compression adapter 15×1. With connection nipples and cone inserts.



Article no.	Version	Dimensions
F13444	Angle	G3/4f × 15 mm

Telescopic Angle Connection

Adjustable shut-off connection, suitable for Simplex base board connections 12 mm, height adjustment (25 mm), depth adjustment (13 mm), integrated compression adapter 12 × 1 mm.



Article no.	Version	Dimensions
F13427 (Type 1)	Angle	G3/4f × 12 mm
F13428 (Type 2)	Angle	G3/4f × 12 mm

Telescopic Angle Connection with Drain

as above, drain fitted on right or left, includes drain-off plug and blind plug. With connection nipples and cone inserts.



Article no.	Version	Dimensions
F13445	Angle	G3/4f × 12 mm

Adapter for Fill and Drain Plug

For use as an adapter for connection of a standard hose connection

Article no.	Dimensions
F13447	G1/4m × G3/4m Euro taper



Typ 1

Typ 2



NEW

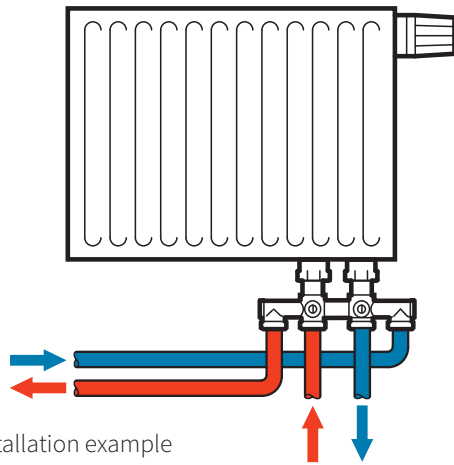


NEW

4-way H-module

The 4-way H-module is a connection valve for jointless laying in floors or to connect additional heating surfaces. The module is shut off by a 3-way ball actuated by a spindle. A visual mark shows the position of the 3-way ball.

- ◆ Connection nipple with O-ring or cone insert
- ◆ Shut-off with position display, without stop
- ◆ With backflow retardant (return flow insert and supply insert are interchangeable)
- ◆ G 3/4 m Euro taper for connection using compression adapters



4-way H-module

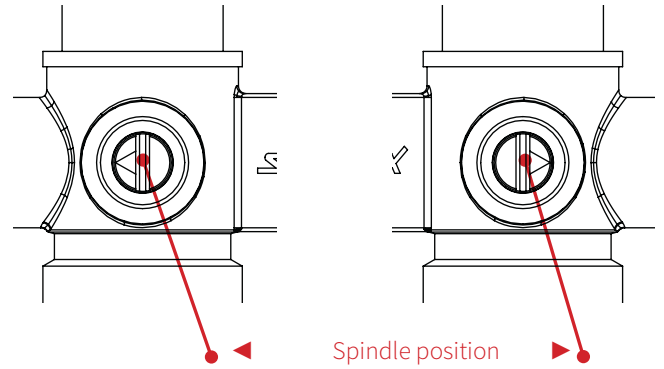
With G 3/4 m Euro taper for connection using compression adapters.



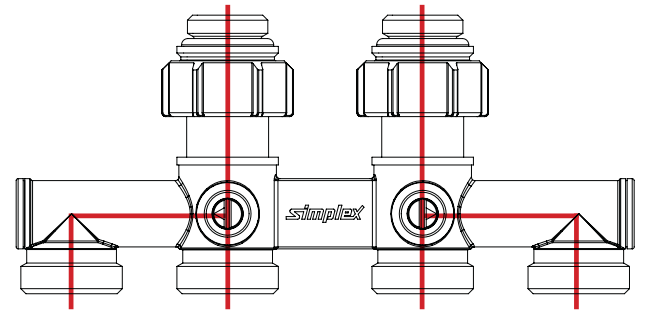
Article no.	Article no.	Version
F10058 (Type 1)	F10059 (Type 2)	Straight
	F10449 (Type 2)	Angle

- ◆ **Type 1:** With self-sealing connection nipple G 1/2 m × G 3/4 m, flat sealing for radiators with Rp 1/2 female thread
- ◆ **Type 2:** With cone insert for radiators with G 3/4 m male thread

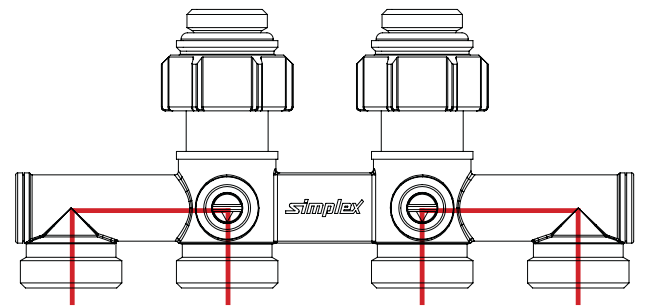
Spindle Actuation



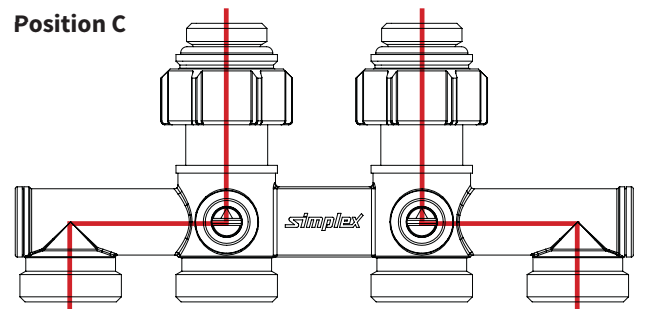
Position A



Position B



Position C

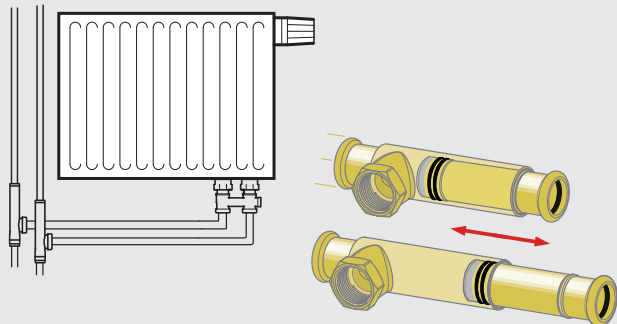


This setting is only possible in the straight version. In the angle version the centre connector is not closeable!

More Problem-solvers

Telescopic T-piece

Installing a junction into a rigid pipe has never been easier! Whether for drainage or as a T-piece to extend the installation: simply divide the pipe, insert the telescopic T-piece, pull apart – you're done. The only thing left to do is to press in the version with the press connection.



Telescopic T-piece with TECTITE Push-fit Connection

For copper, carbon steel and stainless steel pipes, demounting clip included.



Article no.	Dimensions
F13196	15 mm × G1/2f
F13197	22 mm × G3/4f
F13198	28 mm × G1i

Telescopic T-piece with Press Connection

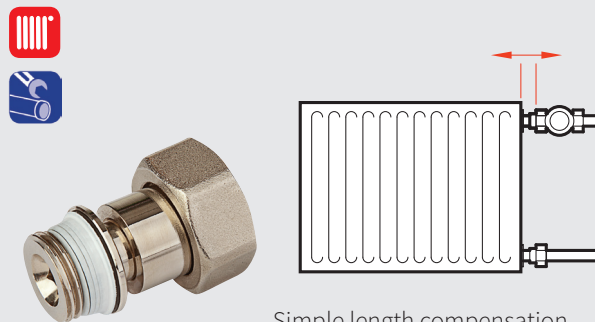
Press connection for M and V profile for copper, carbon steel and stainless steel pipes.



Article no.	Dimensions
F13193	15 mm × G1/2f
F13194	22 mm × G3/4f
F13195	28 mm × G1i

Compensation Sleeve for Radiator Connection

The ideal solution for length compensation up to 20 mm, with union nut, self-sealing with self-sealing thread.

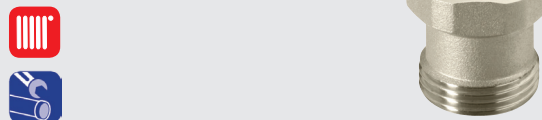


Simple length compensation without complex installation

Article no.	Dimensions
F10511	G1/2m × G3/4f Euro taper
F10512	G3/4m × G1f cone
F10513	G1a × G1 1/4f flat seal

Extension G 3/4 Euro Taper

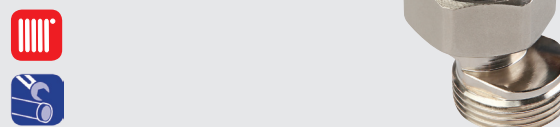
20 mm extension



Article no.	Dimensions
F22165	G3/4f × G3/4m Euro taper

S-piece for G 3/4 Euro Taper

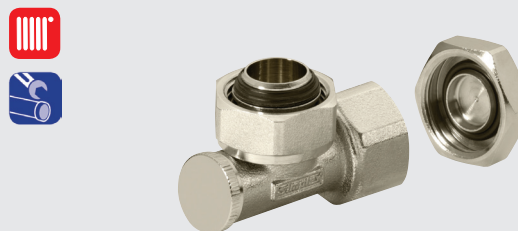
7.5 mm axial offset, 35 mm overall height



Article no.	Dimensions
F10530	G3/4f × G3/4m Euro taper

DIN Adapter

Includes additional blind cap G 3/4f, shut-off, for replacing DIN radiators with flat radiators, with connections at bottom left or right.

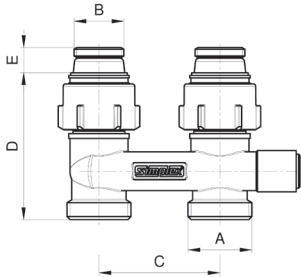


Article no.	Dimensions
F10550	G1/2f × G3/4m Euro taper

Dimensional Drawings of Problem-solvers

Reverser with Shut-off

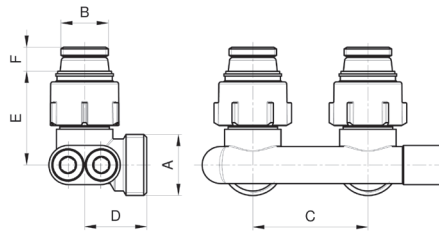
F10076



A	B	C	D	E
G3/4m ET	G1/2m	50	61	11

Reverser with Shut-off

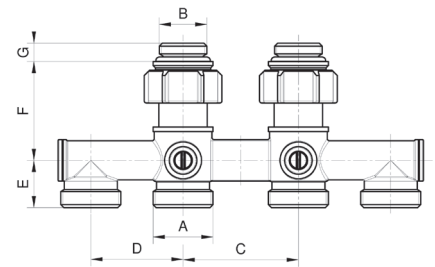
F10077



A	B	C	D	E	F
G3/4m ET	G1/2m	50	27	41	11

4-way H-module

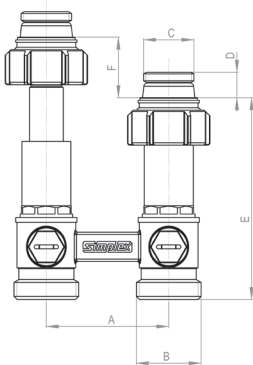
F10058



A	B	C	D	E	F	G
G3/4m ET	G1/2m	50	40	21	43	8

EXCLUSIV H-module with Telescope Adjustment

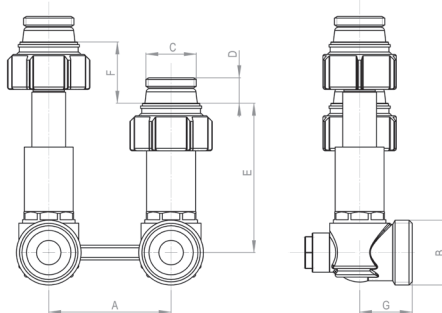
F10084



A	B	C	D	E	F
50	G3/4m ET	G1/2m	10	82	25

EXCLUSIV H-module with Telescope Adjustment

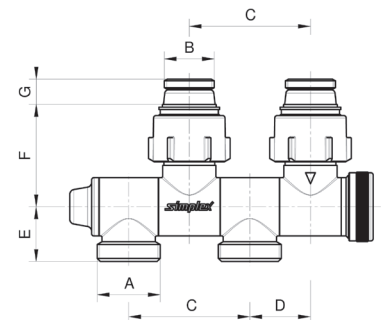
F10086



A	B	C	D	E	F	G
50	G3/4m ET	G1/2m	10	61	25	22

VARIOCON U Connection Valve

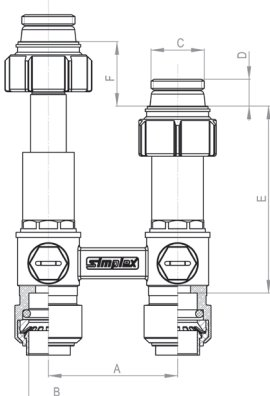
F10026



A	B	C	D	E	F	G
G3/4m ET	G1/2m	50	25	23	42	11

TECTITE H-module with Telescope Adjustment

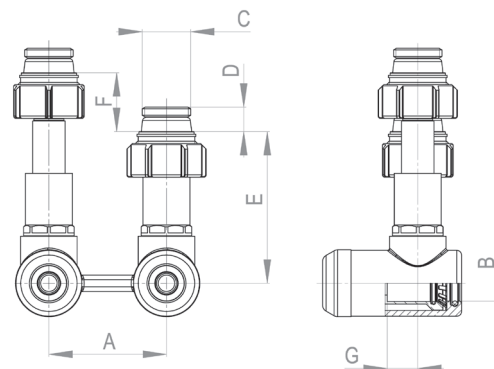
F10081



A	B	C	D	E	F
50	Ø 15	G1/2m	10	72	25

MULTIGRIP H-module with Telescope Adjustment

F13444



A	B	C	D	E	F	G
50	Ø 15	G1/2m	10	65	25	13

More dimensional drawings can be found on our website at www.simplex-armaturen.de

