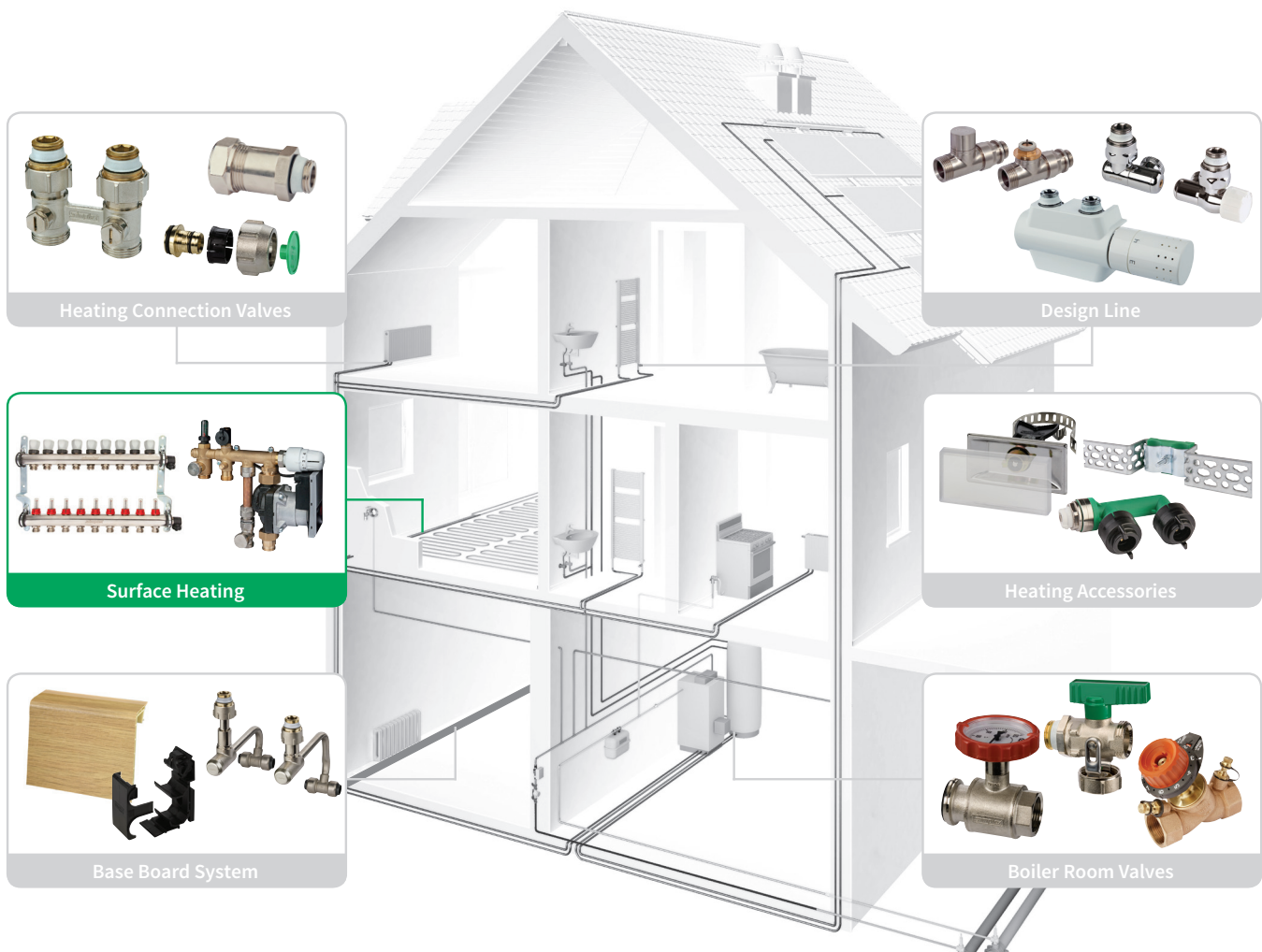


## Surface Heating

- | Guaranteed comfortable and energy-saving
- | Solutions for surface heating in new buildings and refurbishment of single rooms and buildings

# | Simplex Products at a Glance



## Surface Heating

Top quality standards, reliability, innovative power and service – these values have a long-standing tradition at Simplex. Trendsetting, sustainable system solutions for heating installations safeguard Simplex's outstanding market position. At the same time, Simplex provides safety and comfort as well as new trends and contemporary design – your one-stop company!

The surface heating section of the complete Simplex product range is split into three sub-groups:

- ◆ Regulation boxes for surface heating in individual rooms
- ◆ KOMFORT system regulation unit for larger rooms and areas
- ◆ Manifolds for heat distribution in complete buildings

## Regulation Boxes

< 15 m<sup>2</sup>

Simplex regulation boxes are the ideal solution for the comfortable regulation of surface heating systems. They are ideal for regulation based on the return flow temperature or room temperature in existing or new buildings. Thermostatic regulation boxes enable connection with minimal steps, both with wall-mounted as well as underfloor heating systems.



### ◆ Room temperature-dependent regulation (TH regulation box)

The temperature is regulated via an integral room thermostat. This version is used for low temperature heating systems up to maximum 55 °C or for the expansion of underfloor heating systems.

### ◆ Return flow temperature-dependent regulation (RTL regulation box)

The temperature is regulated by limiting the return temperature to a fixed value. These regulation boxes reliably control any connected surface heating system without the need for auxiliary energy. When used in conjunction with a room temperature-regulated heating system, this regulation box can be used for base load heat supply to a single room and for underfloor heating temperature adjustment.

### ◆ Room temperature-dependent regulation with return flow temperature limitation (RTL - TH regulation box)

This type of box is ideal for surface heating systems without additional radiators. The regulation boxes regulate the entire surface heating system. The version with digital room temperature controller permits the programming of up to 9 heating periods daily.

[More on this from page 4 onwards](#)

## System Regulation Unit

5 - 40 m<sup>2</sup>



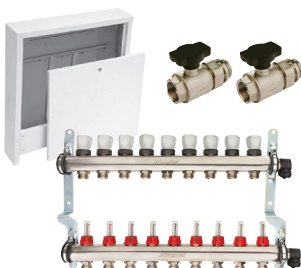
### Room temperature-dependent regulation with supply temperature limitation (KOMFORT system regulation unit)

The intelligent and most comfortable solution for room temperature regulation of surface heating in single rooms. Ideal for combining with a standard 230 V room thermostat, the KOMFORT system regulation unit enables the implementation of ultra-simple and time-controlled temperature regulation for personalised and energy-saving regulation of the surface heating.

[More on this from page 4 onwards](#)

## Manifolds

20 - 250 m<sup>2</sup>



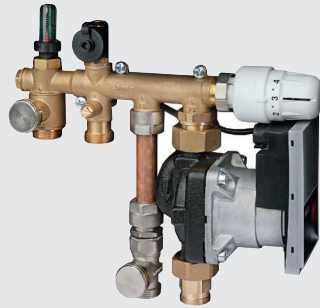
### Manifolds, cabinets and accessories

Our product range includes all the hydraulic components required for safe and reliable operation of surface heating systems. Our pre-mounted assemblies permit extremely fast and high-quality installation. Furthermore, the Simplex components used guarantee safety and reliability.

[More on this on page 18](#)

# | Regulation Boxes at a Glance

## System Regulation Unit KOMFORT



KOMFORT system regulation unit with supply mixing and pump

**Page 8**

Regulation unit for retrofitting of wall-mounted and underfloor heating circuits in refurbishments and new buildings.  
No separate mixer needed.

Room temperature-dependent single room regulation with supply temperature limitation.

Installation in the supply flow

Small to large individual rooms

Direct heating circuit up to 95 °C

Room thermostat

Yes

Room temperature control by underfloor heating

## RTL-TH Regulation Box DIGITAL / BASIC



RTL-TH regulation box for digital room temperature controllers

**Page 10**

Regulation box for retrofitting wall-mounted and underfloor heating circuits in refurbishments and new buildings, in conjunction with a direct heating circuit without mixer.

Room temperature-dependent single room regulation with return flow temperature limitation

Installation in the return flow

Small individual rooms

Direct heating circuit

Digital room temperature controller/  
Room thermostat

Yes

Room temperature control by underfloor heating

<b>Description</b>
<b>Details</b>
<b>Applications</b>
<b>Function</b>
<b>Installation position in the pipe</b>
<b>Typical room size</b>
<b>Maximum supply temperature in the supply circuit</b>
<b>Room temperature setting by</b>
<b>Hydraulic balancing is possible</b>
<b>Applications</b>



**RTL-I Regulation Box  
STANDARD / EXCLUSIV**



RTL-I regulation box with internal thermostatic valve

**Page 12**

Regulation box for retrofitting wall-mounted and underfloor heating circuits in refurbishments and new buildings in conjunction with a direct heating circuit without mixer.

Regulation boxes for return flow temperature-dependent regulation.

Installation in the return flow

Typical kitchen, bathroom, small rooms with radiator + heated towel rail

Direct heating circuit

Radiator in the room

Yes with EXCLUSIV

Additionally to a radiator; fixed percentage as base temperature adjustment through the floor

**RTL-A Regulation Box  
STANDARD / EXCLUSIV**



RTL-A regulation box with external thermostatic valve

**Page 13**

Regulation box for retrofitting wall-mounted and underfloor heating circuits in refurbishments and new buildings in conjunction with a direct heating circuit without mixer.

Regulation boxes for return flow temperature-dependent regulation.

Installation in the return flow

Typical bathroom, small rooms with radiator

Direct heating circuit

Radiator in the room

Yes with EXCLUSIV

Additionally to a radiator; adjustable base temperature adjustment through the floor

**TH Regulation Box  
STANDARD / EXCLUSIV**



TH regulation box

**Page 14**

Regulation box for single room temperature regulation of wall-mounted and underfloor heating circuits in refurbishments and new buildings in conjunction with a mixer circuit.

Regulation boxes for room temperature-dependent regulation.

Installation either in the supply or return flow

Small individual rooms

Mixer circuit up to 50 °C

TH regulation box

Yes with EXCLUSIV

Room temperature control by underfloor heating

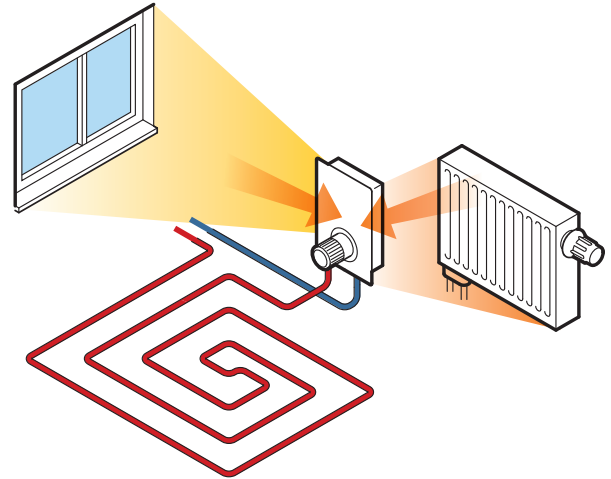
# Installation and Operating Information

## Installation of room temperature-dependent Simplex regulation boxes

Surface heating systems provide a comfortable indoor climate through their large heat transfer area. The relationship between the surface temperature and room temperature has a self-regulating effect, by means of which temperature fluctuations remain minimal. The effects of external heat on the room thermostat in the regulation box should be avoided to achieve an optimum self-regulation effect.

Therefore select the location of room temperature-dependent regulation boxes at a sufficient distance from external heat sources. Examples of external heat sources include:

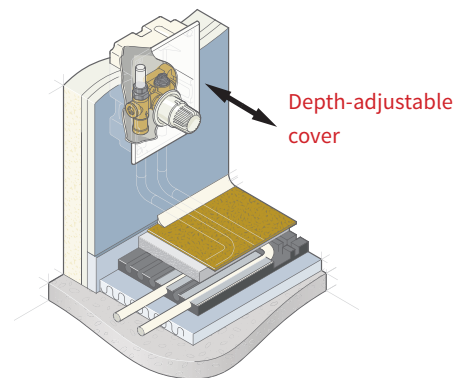
- ◆ Direct sunlight, e.g. through full-height windows
- ◆ Radiant heat from tiled stoves or wood-burning stoves
- ◆ Radiators with higher supply temperatures
- ◆ Thermal discharge from household appliances, computers, TV/Audio equipment, lighting



Select the installation location for the regulation box so that it is not exposed to the effects of external heat.

## Basic equipment of Simplex RTL and TH regulation boxes

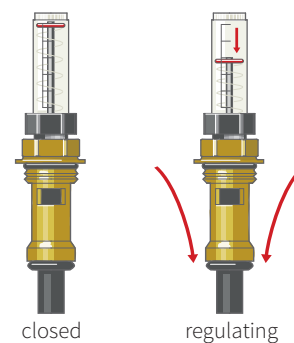
- ◆ Concealed box with pre-mounted valve module with ventilation
- ◆ Valve module connection with G 3/4m Euro taper for pipe connection with compression adapter
- ◆ EPS protective cap
- ◆ White plastic wall cover (similar to RAL 9016)
- ◆ Mounting brackets for depth adjustment of the wall box
- ◆ Prepared for flexible installation in panel walls (Installation kit F11863)
- ◆ Regulation boxes with closed cover and internal head can be combined with design covers made of glass, chrome-plated plastic or with tile frame for integration into tiled walls



All Simplex regulation boxes can be easily installed and connected to underfloor heating systems using the easy to connect concealed box.

## Balancing and shut-off valve for volume flow control

The target volume flow is adjusted in l/min on the balancing upper part to simplify hydraulic compensation. The flow volume adjusted in this way can be read off on the printed scale. The balancing valve can also be used as a shut-off.



## Heat Outputs achieved by the Regulation Unit and Boxes

KOMFORT System Regulation Unit – Design Examples				
Pipe spacing		10 cm	15 cm	20 cm
Supply flow/return flow temperature		35/30 °C	35/30 °C	40/35 °C
Max. heat flow density		78 W/m <sup>2</sup>	66 W/m <sup>2</sup>	79 W/m <sup>2</sup>
Values when a heating circuit with 17×2 mm pipe system is connected	Max. heatable floor area	17 m <sup>2</sup>	22 m <sup>2</sup>	22 m <sup>2</sup>
	Max. pipe length	170 m	145 m	108 m
	Volume flow	3.8 l/min	4.2 l/min	4.9 l/min
Values when two heating circuits with 17×2 mm pipe system are connected Caution: The pipe lengths of both circuits must be identical	Max. heatable floor area	32 m <sup>2</sup>	41 m <sup>2</sup>	40 m <sup>2</sup>
	Max. pipe length	2 × 160 m	2 × 135 m	2 × 100 m
	Volume flow	7.2 l/min	7.7 l/min	9 l/min

RTL / RTL-TH / TH Regulation Boxes – Design Examples				
Pipe spacing		10 cm	15 cm	20 cm
Supply flow/return flow temperature		35/30 °C	35/30 °C	40/35 °C
Max. heat flow density		78 W/m <sup>2</sup>	66 W/m <sup>2</sup>	79 W/m <sup>2</sup>
Values when a 17×2 mm pipe system is connected with 250 mbar pressure loss in the heating loop	Max. heatable floor area	12.5 m <sup>2</sup>	16 m <sup>2</sup>	16 m <sup>2</sup>
	Max. pipe length	125 m	105 m	80 m
	Volume flow	1.9 l/min	2.2 l/min	3.6 l/min

### Installation guidelines for surface heating systems, possibly determined under the following conditions:

Floor structure in line with DIN 1264 type A (heating pipes in screed); 4.5 cm above pipes

Cement screed in line with DIN 18560 with thermal conductivity of 1.2 W/(mK)

Floor covering: Limit values for tiles and carpet

Surface temperature max. 29 °C; standard indoor temperature 20 °C

Design pressure loss in heating loop to match KOMFORT system regulation unit or 250 mbar with regulation boxes; design spread 5 K

**Note:** Design surface heating systems in line with DIN EN 1264. Check all details on site.

# Room temperature adjustment with supply temperature limitation

## KOMFORT System Regulation Unit

Room temperature regulation even at high supply temperatures. For the use of surface heating as primary heating or in large individual rooms.

### Flow Volume Meter

The volume flow is visible and can be regulated with the RTL-TH BASIC and the RTL-TH DIGITAL regulation boxes, the KOMFORT system regulation unit and the EXCLUSIV series regulation boxes. The flow volume meter has a shut-off function.

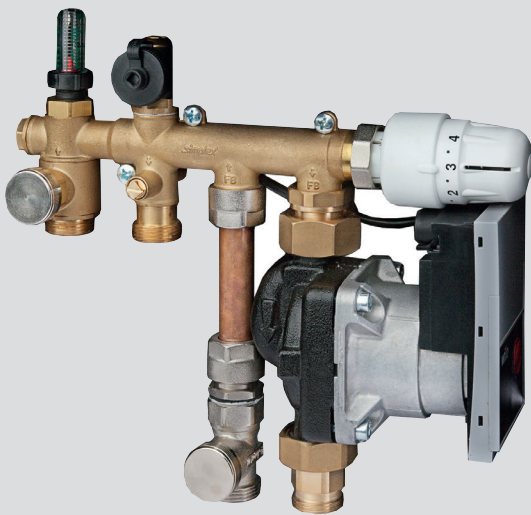
### Individual Room Regulation

Every TH function has individual room regulation. Design a 230 V room thermostat on site with the RTL-TH BASIC regulation box and the KOMFORT system regulation unit.

### Highlights

- ◆ Temperature already limited in the supply flow
- ◆ Even heat distribution
- ◆ Simple and secure integration in the radiator circuit
- ◆ Primary circuit connection can be interchanged (left or right)
- ◆ Quick and easy filling and draining with standard hose connection
- ◆ Primary circuit connections with separate shut-off
- ◆ Includes tile frame for integration into tiling
- ◆ Optional Y-manifold to extend heating circuit

**NEW** 5 - 40 m<sup>2</sup>

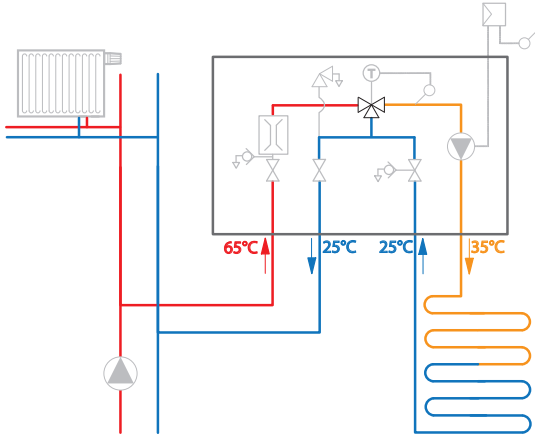


F11852

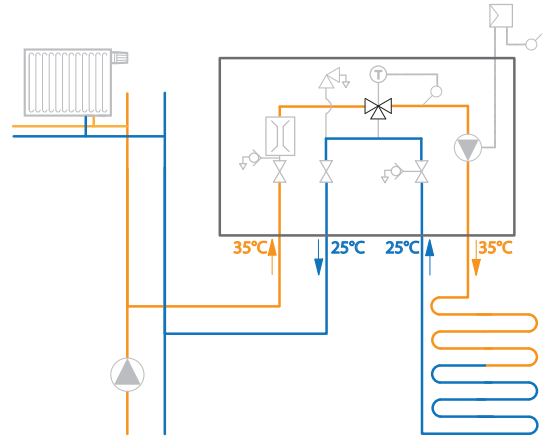
### KOMFORT System Regulation Unit

- ◆ Room temperature regulation
- ◆ Supply temperature limitation (can be set at 10 - 50 °C)
- ◆ Regulation head for setting supply temperature
- ◆ Ventilation
- ◆ Filling, flushing and draining
- ◆ Combinable with conventional room thermostats 230 V\*
- ◆ Flow display and regulation with shut-off function
- ◆ Pre-settable highly-efficient pump
- ◆ “easy-connect” plug-in connector for simple electrical connection
- ◆ EnEV-compliant

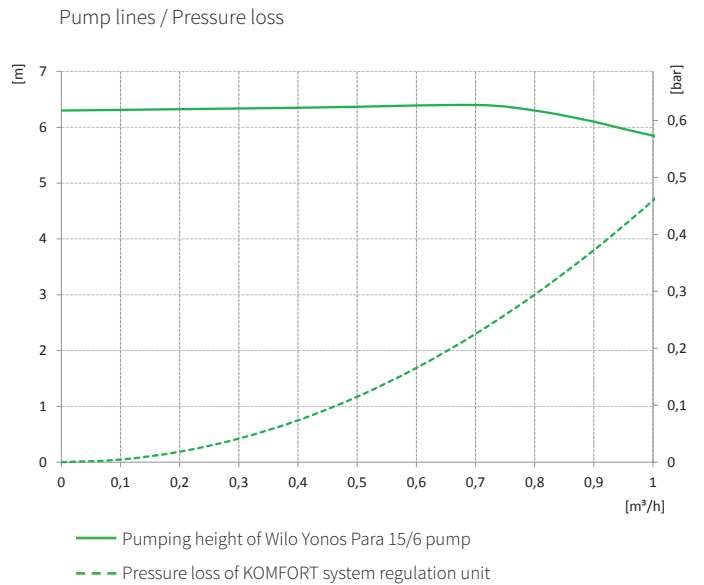
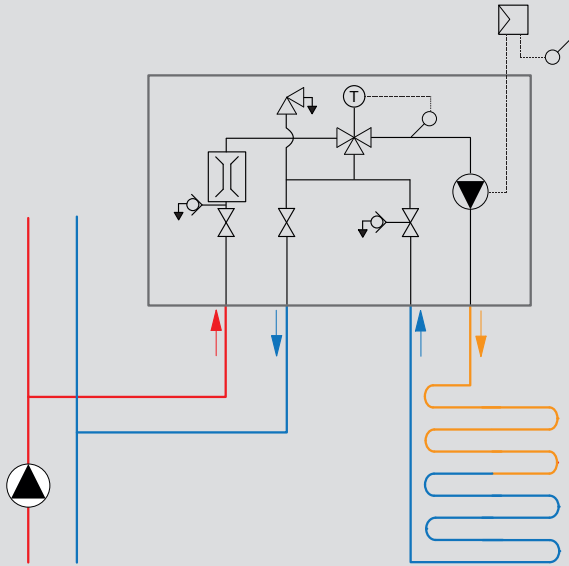
\* not included



Application / Heating  
 Mixing of heating supply with underfloor return flow  
 to produce underfloor supply flow.



Heating operation with reduced supply temperature.  
 No mixing in the valve.





# Regulation box for room temperature-dependent regulation with return flow temperature limitation

## RTL-TH Regulation Boxes

The RTL-TH regulation boxes enable an additional single room surface heating system to be simply and easily integrated into a normal heating circuit. A separate mixed low temperature heating circuit is therefore no longer needed.

< 15 m<sup>2</sup>



### RTL-TH DIGITAL Regulation Box

For room temperature-dependent regulation of surface heating systems, with return flow temperature limitation (10 to 50 °C). Short heating-up phases due to the adjustable return flow temperature. Easy-Connect plug-in connector for simple electrical connection, electro-thermal actuator and RTL sensor pre-fitted and pre-wired.

#### Features of concealed Digital Room Temperature Controller

- ◆ Individually programmable, up to 9 switching times and temperature settings possible each day
- ◆ Display with background lighting, white
- ◆ Can be integrated into different switch series (frame DIN 49075, installation box DIN 49073)
- ◆ Maximum energy-saving effect



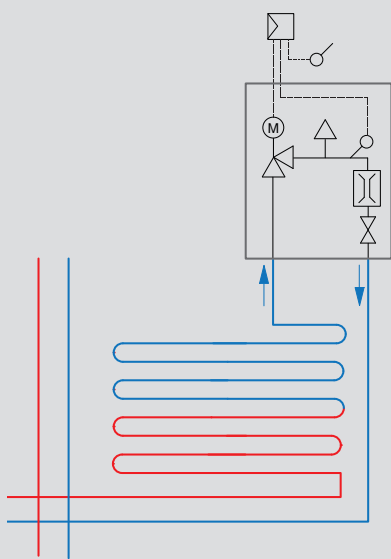
### RTL-TH BASIC Regulation Box

The integral safety switch shuts down the valve when a return flow temperature of 40 °C is exceeded.

When heat is demanded by the connected room thermostat, the safety cut-off remains active until a return flow temperature of around 38 °C has been reached.

A room thermostat is required for operation.  
Combinable with conventional room thermostats 230 V.

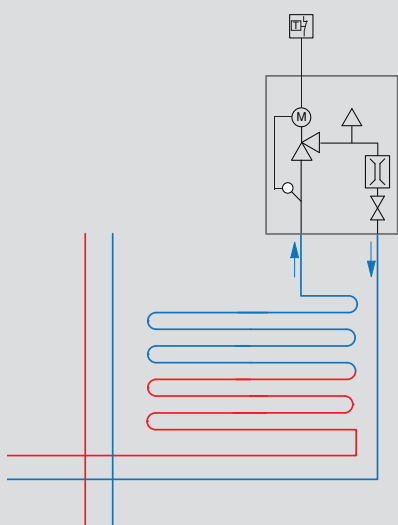
The wall cover consists of a white plastic panel



#### Features

	RTL-TH DIGITAL F11838	RTL-TH BASIC F11836
Room temperature-dependent regulation	◆	◆
Return flow temperature limitation	10 to 50 °C adjustable	with fixed value limitation switch (40 °C)
Ventilation	◆	◆
Room temperature regulation	◆	*
Flow indicator and regulation	◆	◆
Electro-thermal actuator	◆	◆
“easy-connect” plug-in connection	◆	◆
EnEV-compliant	◆	◆
Closed wall cover	◆	◆

\* Can be combined with conventional room thermostats 230 V (not included)



#### Flow Volume Meter

The volume flow is visible and can be regulated with the RTL-TH BASIC and the RTL-TH DIGITAL regulation boxes, the KOMFORT system regulation unit and the EXCLUSIV series regulation boxes. The flow volume meter has a shut-off function.

#### Individual Room Regulation

Every TH function has individual room regulation. Design a 230 V room thermostat on site with the RTL-TH BASIC regulation box and the KOMFORT system regulation unit.

#### Digital Room Thermostat

A digital room temperature controller is included with the RTL-TH Digital regulation box. This permits up to 9 switching times to be programmed per day. Users benefit from maximum energy-savings.

#### Wall Cover

All wall covers feature mounting brackets for depth compensation. The closed models can even be turned if the concealed housings are installed at an angle. Other covers and design panels are also available.

# Regulation boxes for return flow temperature-dependent regulation

## RTL-I Regulation Boxes

with integral thermostatic valve

### Flow Volume Meter

The volume flow is visible and can be regulated with the RTL-TH BASIC and the RTL-TH DIGITAL regulation boxes, the KOMFORT system regulation unit and the EXCLUSIV series regulation boxes. The flow volume meter has a shut-off function.

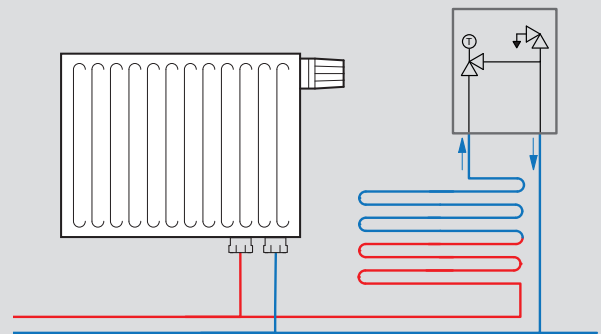
### RTL-I Regulation Box with internal Thermostatic Valve

	RTL-I STANDARD F11831	RTL-I EXCLUSIV F11832
Return flow temperature limitation	◆	◆
Ventilation	◆	◆
Filling and draining	◆	-
Flow indicator and regulation	-	◆
Safety temperature valve	-	◆
Closed wall covers	◆	◆

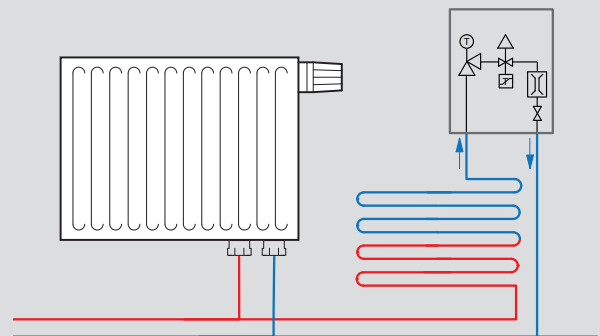
< 15 m<sup>2</sup>



RTL-I Standard



RTL-I EXCLUSIV



The wall cover consists of a white plastic panel

## RTL-A Regulation Boxes

with external thermostatic valve

### Safety Temperature Valve

EXCLUSIV series RTL regulation boxes protect the surface heating system from overheating when a faulty thermostat causes excessive supply temperature.

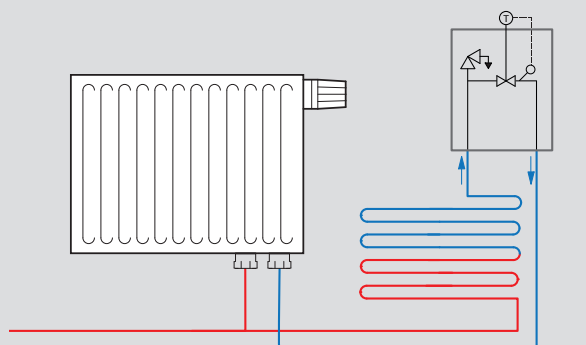
### RTL-A Regulation Boxes with external Thermostatic Valve

	RTL-A STANDARD F11828	RTL-A EXCLUSIV F11829
Return flow temperature limitation	◆	◆
Ventilation	◆	◆
Filling and draining	◆	◆
Flow indicator and regulation	-	◆
Safety temperature valve	-	◆
Wall cover with opening	◆	◆

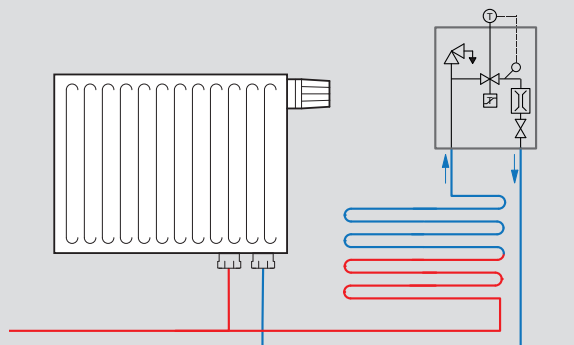
< 15 m<sup>2</sup>



RTL-A Standard



RTL-A EXCLUSIV



Plastic panel with opening for the external thermostatic head

# I Regulation boxes for room temperature-dependent regulation

## TH Regulation Boxes

TH regulation boxes are intended for the room temperature-dependent regulation of low temperature surface heating systems. The temperature is regulated by an integral room thermostat.


## Individual Room Regulation

Every TH function has individual room regulation. Design a 230 V room thermostat on site with the RTL-TH BASIC regulation box and the KOMFORT system regulation unit.


### TH Regulation Box with external Thermostatic Valve

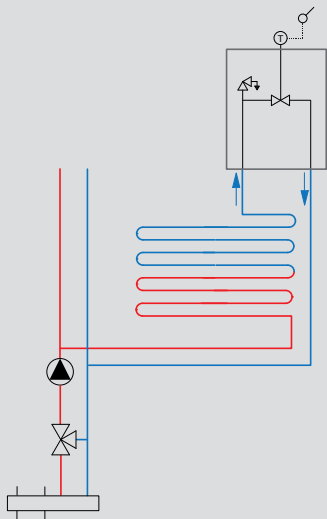
Features	TH STANDARD	TH EXCLUSIV
	F11848	F11849
Room temperature regulation	◆	◆
Ventilation	◆	◆
Filling and draining	◆	◆
Flow indicator and regulation	-	◆
Wall cover with opening	◆	◆


< 15 m<sup>2</sup>




**TH STANDARD**

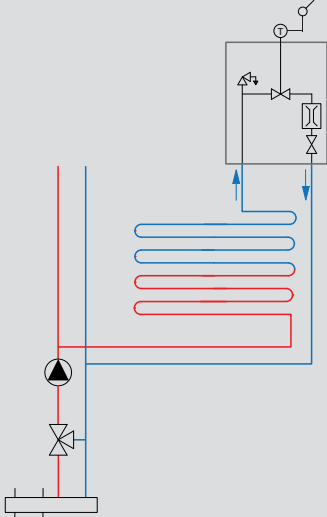






**TH EXCLUSIV**





The wall cover with opening consists of a white plastic panel



# | Design panels and accessories for regulation boxes

## Design Cover

### Design Cover

Plastic, high-gloss chrome-plated, with mounting bands for cladding regulation boxes with closed cover and internal head.



Article no.	Version
F11821	chrome-plated

### Universal Cover for Wall Coverings

Consisting of base frame with magnetic bracket and galvanised cover, all-purpose.



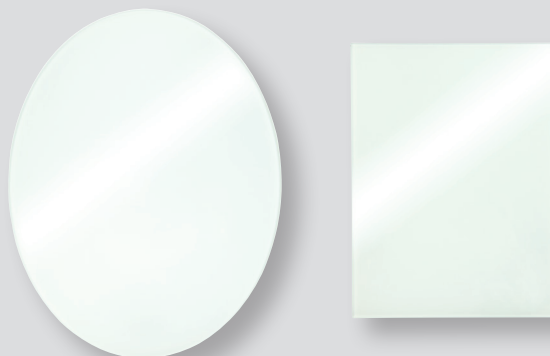
Article no.	Version
F11822	Plastic/galvanised



Installation example:  
Regulation box with base frame and cover, can be tiled over.

### Design Cover, Glass

Polished safety glass, white ceramic print, with mounting bands for cladding regulation boxes with closed cover and internal head.



Article no.	Version
F11819	oval
F11820	square



Installation example:  
Glass design cover on mosaic wall

## Accessories

Extension for Regulation Boxes installed too deep.

Valve Extension for  
RTL Regulation Box



Valve Extension for  
TH Regulation Box



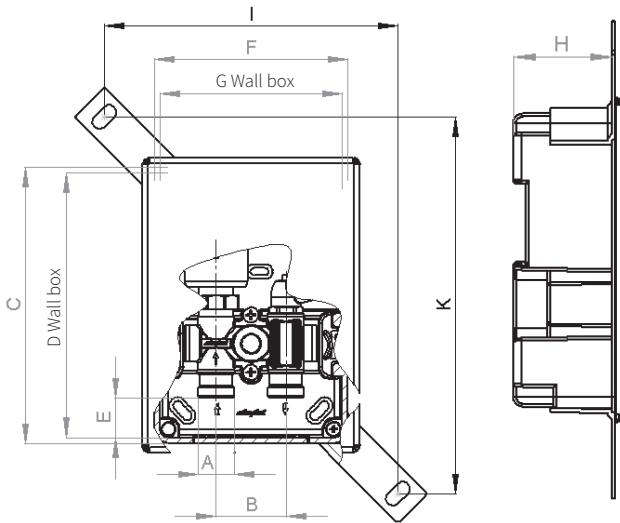
Article no.	Version	Dimension
F11844	For RTL regulation box	L: 17 mm
F11872	For TH regulation box	L: 13 mm

# Regulation Boxes in Detail, Legend

## Dimensional Drawings of Regulation Boxes

### Regulation Boxes with internal Head

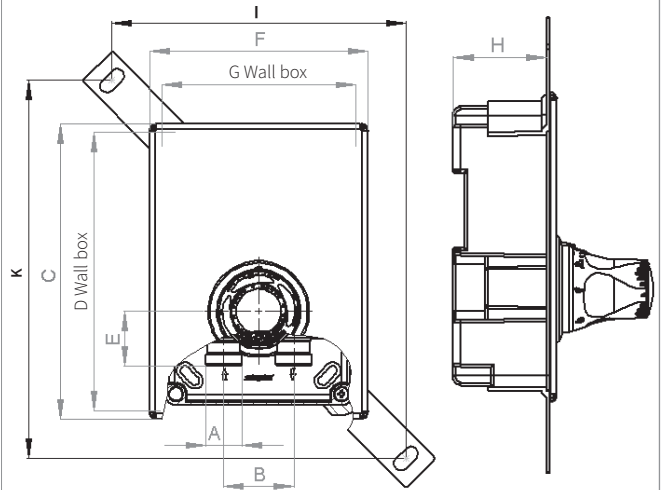
F11831, F11832



	A	B	C	D	E	F	G	H	I	K
G3/4m Euro taper	50	211	197	27	156	138	64	210	270	

### Regulation Boxes with external Head

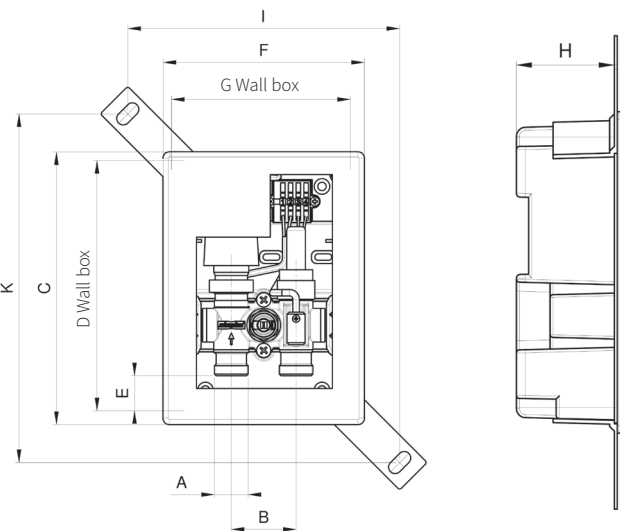
F11828, F11829, F11848, F11849



	A	B	C	D	E	F	G	H	I	K
G3/4m Euro taper	50	211	197	27	156	138	64	210	270	

### RTL-TH DIGITAL Regulation Box

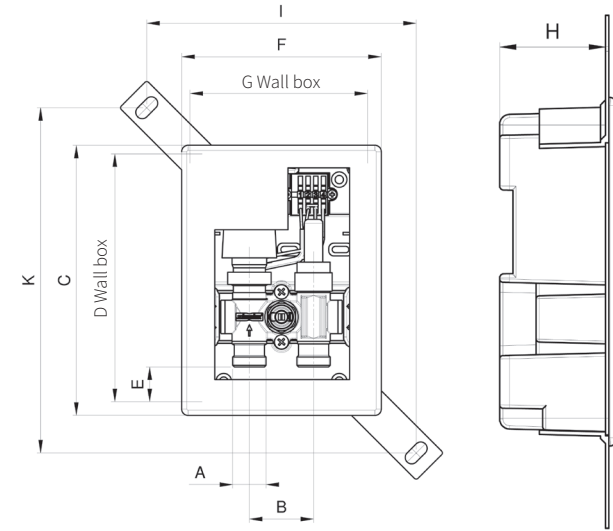
F11838



	A	B	C	D	E	F	G	H	I	K
G3/4m Euro taper	50	211	197	27	156	138	64	210	270	

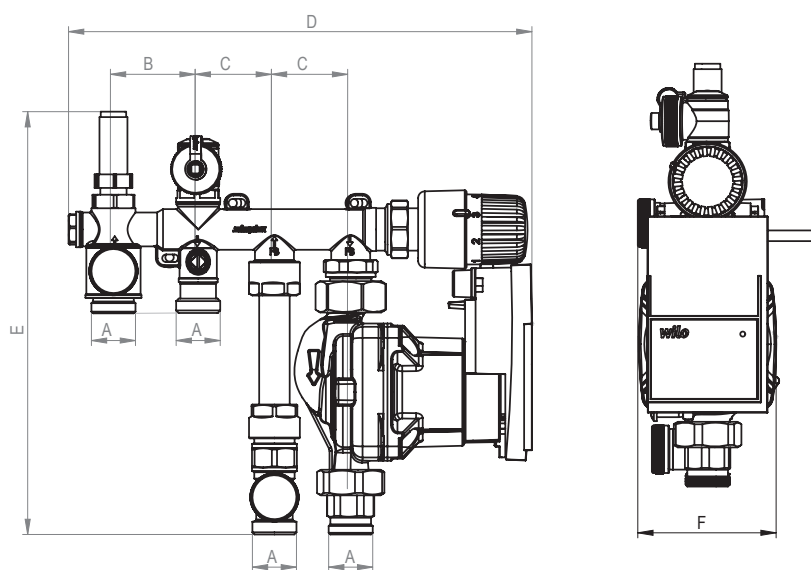
### RTL-TH BASIC Regulation Box

F11836



	A	B	C	D	E	F	G	H	I	K
G3/4m Euro taper	50	211	197	27	156	138	64	210	270	

**KOMFORT System Regulation Unit**  
F11852

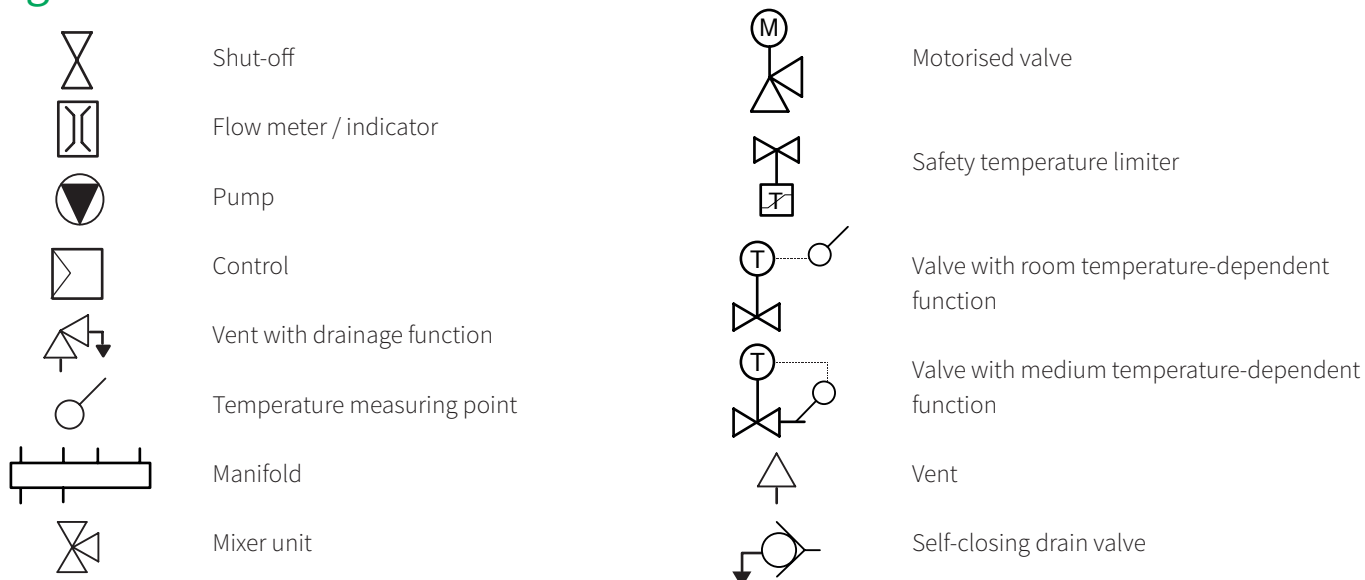


Dimensions in mm.

More dimensional drawings  
can be found on our website at:  
[www.simplex-armaturen.de](http://www.simplex-armaturen.de)

A	B	C	D	E	F
G3/4m Euro taper	50	45	274	250	83

**Legend**



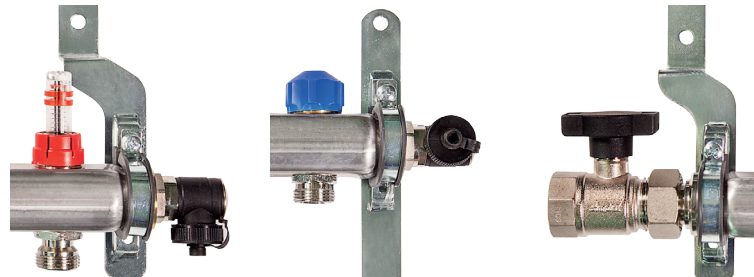
## I Manifolds, Cabinets and Accessories

### Benefits of Manifolds and Accessories



#### Benefits of Heating Manifold with Flowmeter for Surface Heating

- ◆ Large-volume stainless steel manifold
- ◆ M 30 x 1.5 valve inserts for all common actuators
- ◆ Original Simplex fill and drain plugs, 360° rotatable
- ◆ Mounting bracket, double s-shaped version, for convenient pipe connection
- ◆ High-quality Topmeter for shut-off, adjustment and locking
- ◆ Delivery: Supply flow and return flow manifold are assembled ready for installation on the wall bracket



#### Benefits of the Manifold Connection Kit / Accessories

- ◆ High-quality Simplex connection kit with T-handle
- ◆ Ball valves with 1" female thread for large-volume connections
- ◆ Self-sealing male thread
- ◆ T-handle retrofittable with thermometer
- ◆ Threaded connection on ball valve with integral, attached seal



## Benefits of Manifold Cabinets



### Benefits of EXCLUSIV wall-mounted Manifold Cabinet

- ◆ Entire cabinet can be removed from the rear wall
- ◆ Large front panel with lock and key
- ◆ Simple installation thanks to Easy rail system
- ◆ Top hat rail (clip rail) for electrical components/regulation modules
- ◆ Robust version: galvanised sheet steel, powder-coated



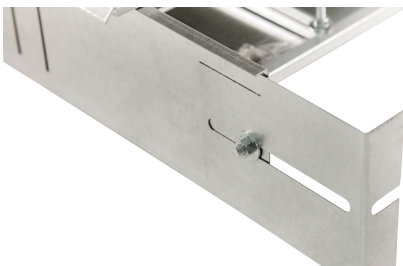
### Benefits of EXCLUSIV flush-mounted Manifold Cabinet

- ◆ Door, frame and skirting easily removable
- ◆ Large front panel with lock and key
- ◆ Simple installation thanks to Easy rail system
- ◆ Top hat rail (clip rail) for electrical components/regulation modules
- ◆ Punched openings almost full-height for individual connection options
- ◆ Height-adjustable mounting feet
- ◆ Depth-adjustable cover frame
- ◆ Galvanised sheet steel, powder-coated
- ◆ 45° angle on cover frame for precise wall joint
- ◆ Robust version: galvanised sheet steel, powder-coated



### Benefits of STANDARD wall-mounted Manifold Cabinet

- ◆ Cabinet can be removed from the rear wall
- ◆ Large front flap with turn-locking
- ◆ Simple assembly thanks to Easy rail system
- ◆ Galvanised sheet steel, powder-coated



### Benefits of STANDARD flush-mounted Manifold Cabinet

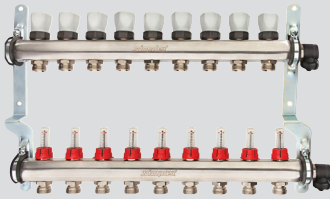
- ◆ Door, frame and skirting easily removable
- ◆ Large front flap with twist lock
- ◆ Simple installation thanks to Easy rail system
- ◆ Pipe deflection rails removable without the need for a tool
- ◆ Height-adjustable mounting feet
- ◆ Depth-adjustable cover frames
- ◆ Galvanised sheet steel, powder-coated



## Manifolds, Cabinets and Accessories

### Heating Manifold

20 - 250 m<sup>2</sup>



#### Heating Manifold with Flowmeter for Surface Heating

Manifold consisting of supply flow bar and return flow bar made of stainless steel profile and double s-shaped wall bracket with sound-proofing in accordance with DIN 4109.

Supply flow bar includes 2 - 12 pcs. integrated flowmeters, 0 - 5 l/m, return flow bar includes 2 - 12 pcs. integrated thermostatic inserts (can be retrofitted with actuators, M 30 × 1.5), valve stroke 2.9 mm.

Supply flow and return flow bar each with:

2-12 pcs. nickel-plated nipples with G 3/4 m Euro taper,

1 pc. drain-off plug with G 3/4 m Euro taper, rotatable, nickel-plated, for draining, venting and filling,

female thread 1" primary side, thread DIN EN ISO 228-2.

- ◆ Stainless steel

### Accessories



#### Actuator

Silent and maintenance-free, closed without current, for zone regulation, plug-in assembly with valve adapter, adjustment control, function display, "First-Open" function, splash proof IP54, "Upside down" installation possible, connection line 2 × 0.75 mm<sup>2</sup>, supply line 1 m, including valve adapter VA91, thread M 30 × 1.5.



#### Contact Thermometer for Manifold

For easy installation on the stainless steel manifold, measuring range 0 - 80 °C, fixed by means of a tension spring, 33 mm diameter.

#### Additional Accessories for Heat Meter Connection Kit:

Sensor adapter permits direct measurement in the medium

**Fits Allmess**

**Fits Sensus**



#### Immersion Sleeve for Heat Meter

For supply sensor heat meter, sensor seat approx. 5.6 × 50 mm.

- ◆ Nickel-plated brass
- ◆ EPDM



#### Retrofit Kit for Thermometer Handle

In combination with Simplex T-handle from the manifold connection and heat meter attachment kits.

- ◆ Plastic



#### Manifold Connection Kit, horizontal

For Simplex manifold, consisting of:

2 pcs. ball valves with straight screw connection with O-ring seal, T-handles, thermometer can be retrofitted.

- ◆ Nickel-plated brass
- ◆ G1f x G1m connection thread



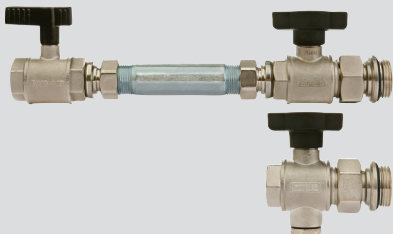
#### Manifold Connection Kit, vertical

For Simplex manifold, consisting of:

2 pcs. ball valves with screw connection with O-ring seal, T-handles, thermometer can be retrofitted.

2 pcs. 90° angle connections with self-sealing thread for vertical routing of manifold supply lines.

- ◆ Nickel-plated brass
- ◆ G1f x G1m connection thread



#### Universal Heat Meter Attachment Kit, horizontal

For Simplex manifolds,

Note: Set contains no immersion sleeve. Please order separately.

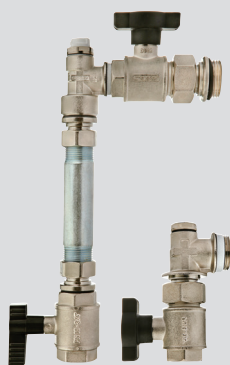
Consisting of:

3 pcs. ball valves with screw connection with O-ring seal, T-handles, thermometer can be retrofitted,

1 pc. heat meter adapter 110 mm,

G1m for manifold, G3/4f ball valves, for heat meter up to 1.5 m<sup>3</sup>/h.

- ◆ Nickel-plated brass
- ◆ G3/4f x G1a connection thread



#### Universal Heat Meter Attachment Kit, vertical

For Simplex manifolds,

Note: Set contains no immersion sleeve. Please order separately.

Consisting of:

3 pcs. ball valves with screw connection with O-ring seal, T-handles, thermometer can be retrofitted,

2 pcs. 90° angle connections with self-sealing thread for vertical routing of manifold supply lines,

1 pc. heat meter adapter 110 mm

G1m for manifold, G3/4f ball valves, for heat meter up to 1.5 m<sup>3</sup>/h.

- ◆ Nickel-plated brass
- ◆ G3/4f x G1m connection thread

# I Manifolds, Cabinets and Accessories

## EXCLUSIV Manifold Cabinets

### Features of EXCLUSIV Manifold Cabinets

- ◆ Manifold cabinet with manifold mounting rail
- ◆ Powder-coating - commercial white (RAL 9016)
- ◆ Made of galvanised steel in closed version
- ◆ Front flap with lock
- ◆ Clip rail for control module bar
- ◆ Pipe diverting rail
- ◆ Packed in a box



### EXCLUSIV Manifold Cabinet, wall-mounted

- ◆ Cabinet height 710 mm
- ◆ Cabinet depth 140 mm
- ◆ Smooth sides
- ◆ Supply and return flow connections from below
- ◆ Particularly easy to assemble thanks to detachable rear wall
- ◆ Galvanised sheet steel



### EXCLUSIV Manifold Cabinet, flush-mounted

- ◆ Cabinet height adjustable from 750 to 850 mm
- ◆ Cabinet depth 110-165 mm
- ◆ With a 45° bent edge
- ◆ Supply and return connections optionally from left, right or bottom
- ◆ Particularly easy to assemble thanks to detachable front skirt
- ◆ Galvanised sheet steel

### Selection of Manifold Cabinets (EXCLUSIV Cabinets)

The selection of the manifold cabinet depends on the number of heating circuits and the manifold accessories

Cabinet width	Manifold heating circuits + manifold connection kit	Manifold heating circuits + manifold connection kit	Manifold heating circuits + heat meter attachment kit	Manifold heating circuits + heat meter attachment kit
	horizontal	vertical	horizontal	vertical
450	2-3	2	–	2
550	4-5	3-4	–	3-4
700	6-8	5-7	2-4	5-7
850	9-11	8-10	5-7	8-10
1000	12	11-12	8-10	11-12
1200	13-16	13-15	11-12	13-15

## STANDARD Manifold Cabinets

### Features of STANDARD Manifold Cabinets

- ◆ With manifold mounting rail
- ◆ Powder coating (commercial white RAL 9016)
- ◆ Made of galvanised sheet steel in closed version
- ◆ Front flap with twist lock
- ◆ Pipe diverting rail
- ◆ Packed in a box



### STANDARD Manifold Cabinet, wall-mounted

- ◆ Cabinet height 585 mm
- ◆ Cabinet depth 110 mm
- ◆ Supply and return connections from below
- ◆ Smooth sides
- ◆ Particularly easy to assemble thanks to detachable rear wall
- ◆ Galvanised sheet steel



### STANDARD Manifold Cabinet, flush-mounted

- ◆ Cabinet height adjustable from 560 to 660 mm
- ◆ Cabinet depth 110-165 mm
- ◆ Supply and return connections optionally from left, right or below
- ◆ Particularly easy to assemble thanks to detachable front skirt
- ◆ Galvanised sheet steel

### Selection of Manifold Cabinets (STANDARD Cabinets)

The selection of the manifold cabinet depends on the number of heating circuits and the manifold accessories

Cabinet width	Manifold heating circuits + manifold connection kit	Manifold heating circuits + manifold connection kit	Manifold heating circuits + heat meter attachment kit	Manifold heating circuits + heat meter attachment kit
	horizontal	vertical	horizontal	vertical
450	2-3	2	–	2
550	4-5	3-4	–	3-4
700	6-8	5-7	2-4	5-7
850	9-11	8-10	5-7	8-10
1000	12	11-12	8-10	11-12



12/2016

Simplex Armaturen & Systeme GmbH  
Isnyer Straße 28  
88260 Argenbühl  
Germany

Phone: +49 75 66 94 08-0  
Fax: +49 75 66 94 08-75

[info@simplex-armaturen.de](mailto:info@simplex-armaturen.de)  
[www.simplex-armaturen.de](http://www.simplex-armaturen.de)

The photos in this brochure are for illustration only and may differ from the respective product.  
Errors and technical changes reserved.