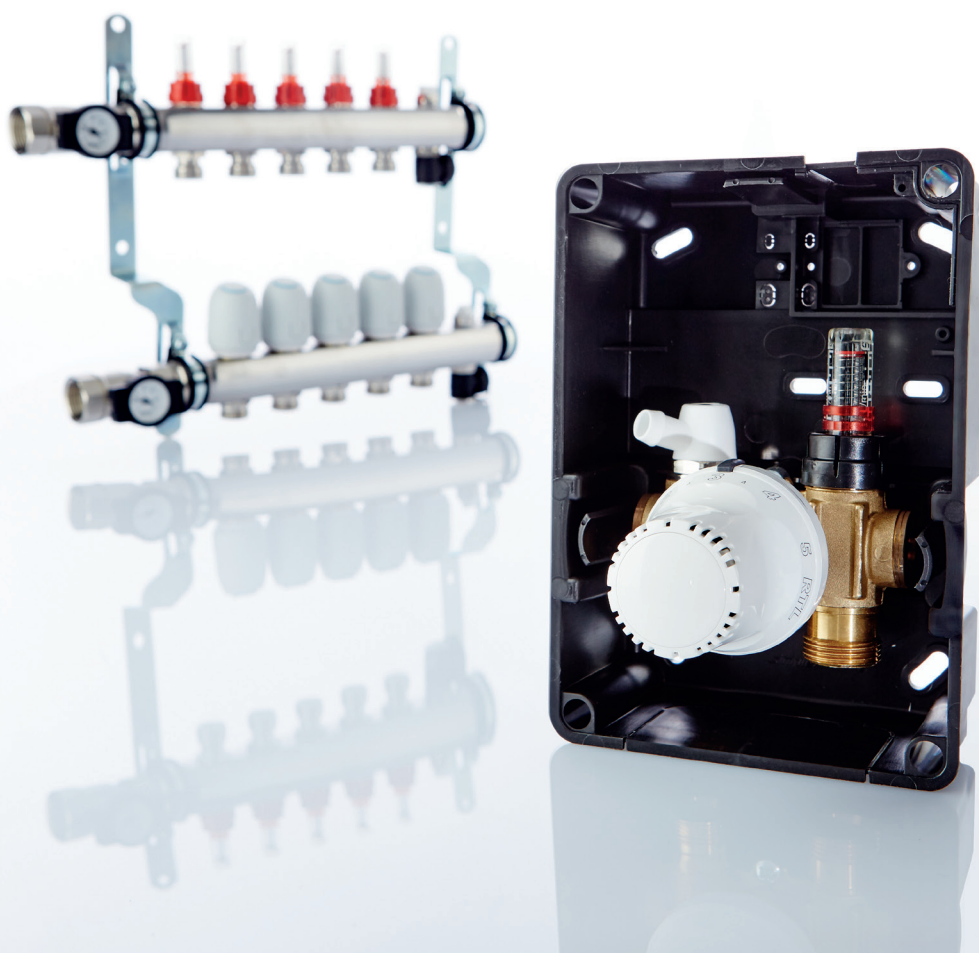


Surface Heating

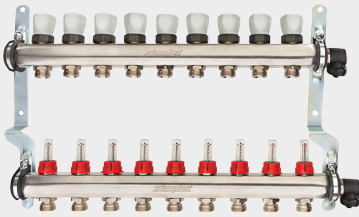
4

4



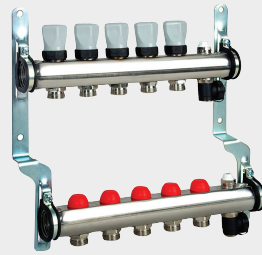
- *Manifolds, Cabinets and Accessories*
- *Regulation Boxes*

Heating Manifold with Flowmeter for Surface Heating



P. 152

Heating Manifold for Surface Heating



P. 153

Pre-wired Heating Manifold Station



P. 154

Heating Manifold for Radiator Connection



P. 155

Manifold Connection Kit - Horizontal



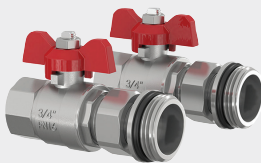
P. 156

Manifold Connection Kit - Vertical



P. 157

BASIC Manifold Connection Kit - Horizontal



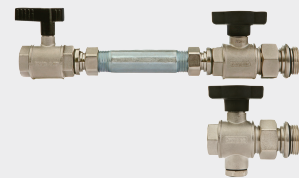
P. 158

BASIC Manifold Connection Kit - Vertical



P. 158

Universal Heat Meter Attachment Kit, Horizontal



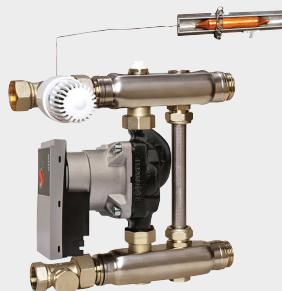
P. 159

Universal Heat Meter Attachment Kit, Vertical



P. 160

Fixed Set-point Controller Set F36 with Contact Sensor



P. 161

Fixed Set-point Controller Set F36 with Immersion Sensor



P. 162

Fixed Set-point Controller Set F36 with Contact Sensor, without Pump



P. 163

Immersion Sleeve for Temperature Sensor



P. 164

Contact Thermometer for Manifold



P. 164

Actuator



P. 165

ANALOG Room Thermostat



P. 165

KOMFORT/CONTROL Room Thermostat



P. 166

Terminal Strip



P. 167

EXCLUSIV Manifold Cabinet, Wall-Mounted



P. 168

EXCLUSIV Manifold Cabinet, Flush-Mounted



P. 169

STANDARD Manifold Cabinet, Wall-Mounted



P. 170

STANDARD Manifold Cabinet, Flush-Mounted



P. 171

MYDESIGN Wall-integrated Cabinet Cover



P. 172

KOMPAKT System Regulation Box



P. 175

KOMFORT System Regulation Box



P. 176

RTL-TH DIGITAL Regulation Box



P. 178

RTL-TH BASIC Regulation Box



P. 179

DUO Regulation Box



P. 180

RTL-I Regulation Box with Internal Thermostatic Valve



P. 181

RTL-A Regulation Box with External Thermostatic Valve



P. 182

TH Regulation Box with External Thermostatic Valve



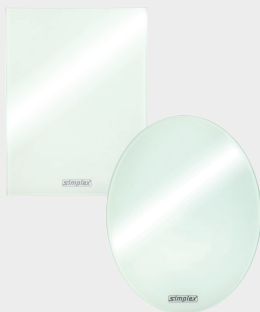
P. 183

Valve Extension for RTL-A Regulation Box



P. 184

Design Cover, Glass



P. 184

Design Cover, High-gloss Chrome-plated



P. 185

Universal Cover for Wall Coverings



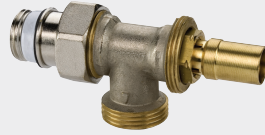
P. 185

RTL Valve Base Type D/AG



P. 186

RTL Valve Base Type E/AG



P. 186

RTL Valve Type D/AG



P. 187

RTL Valve Type E/AG



P. 187

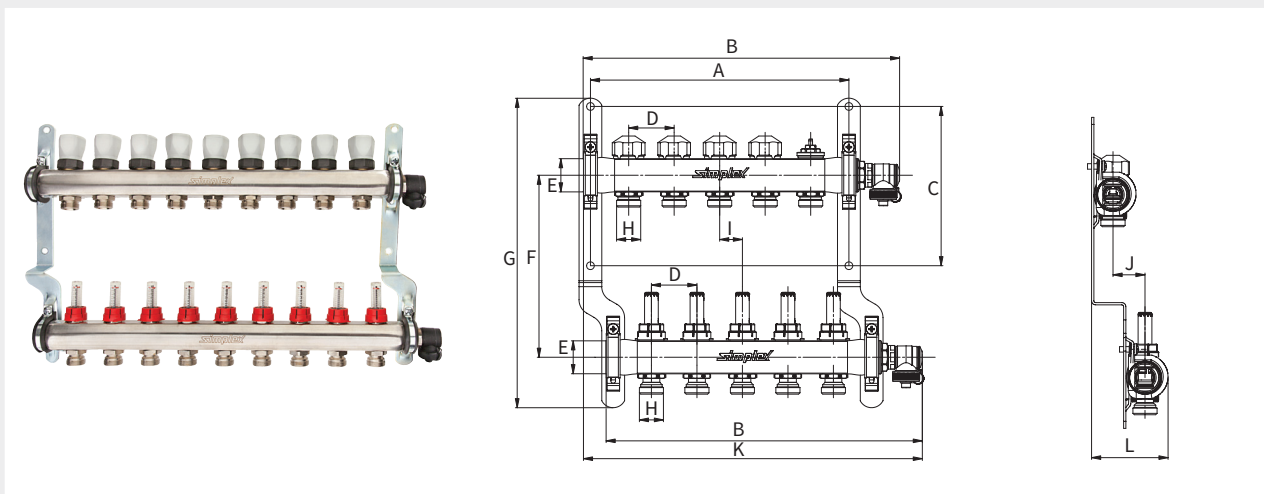
HEATING MANIFOLDS

Heating Manifold with Flowmeter for Surface Heating

PG = 760

Manifold consisting of supply manifold and return manifold made of stainless steel profile and s-shaped wall bracket with sound-proofing insert in accordance with DIN 4109. Supply manifold includes 2 - 12 pcs. integrated flowmeters, 0 - 5 l/m, return manifold includes 2 - 12 pcs. integrated thermostatic valve inserts (can be retrofitted with actuators, M 30 x 1.5), valve stroke 2.9 mm. Supply and return manifold each with: 2 - 12 pcs. nickel-plated nipples with G 3/4" M (Euro taper), 1 pc. drain plug with G 3/4" M (Euro taper) rotatable, nickel-plated, for draining, venting and filling, 1 pc. female thread G 1" primary side, thread DIN EN ISO 228-2. The manifold cabinet selection depends on the accessories e.g. heat meter.

- Manifold made of stainless steel
- Max. primary operating temp.: 80 °C permanent temp., 95 °C short-term (the max. permissible supply flow temp. of the surface heating must be respected)
- Max. operating pressure: 6 bar



Type	Number heating circuits	Connection		📦	Article no.
		E	H (ET)		
VT FH Flowmeter - 2	2	G 1" F	G 3/4" M	1	F18511
VT FH Flowmeter - 3	3	G 1" F	G 3/4" M	1	F18512
VT FH Flowmeter - 4	4	G 1" F	G 3/4" M	1	F18513
VT FH Flowmeter - 5	5	G 1" F	G 3/4" M	1	F18514
VT FH Flowmeter - 6	6	G 1" F	G 3/4" M	1	F18515
VT FH Flowmeter - 7	7	G 1" F	G 3/4" M	1	F18516
VT FH Flowmeter - 8	8	G 1" F	G 3/4" M	1	F18517
VT FH Flowmeter - 9	9	G 1" F	G 3/4" M	1	F18518
VT FH Flowmeter - 10	10	G 1" F	G 3/4" M	1	F18519
VT FH Flowmeter - 11	11	G 1" F	G 3/4" M	1	F18520
VT FH Flowmeter - 12	12	G 1" F	G 3/4" M	1	F18521

Dimensions



Type	Dimensions [mm]									
	A	B	C	D	F	G	I	J	K	L
VT FH Flowmeter - 2	135	198	175	50	200	340	25	35	222	84
VT FH Flowmeter - 3	185	248	175	50	200	340	25	35	272	84
VT FH Flowmeter - 4	235	298	175	50	200	340	25	35	322	84
VT FH Flowmeter - 5	285	348	175	50	200	340	25	35	372	84
VT FH Flowmeter - 6	335	398	175	50	200	340	25	35	422	84
VT FH Flowmeter - 7	385	448	175	50	200	340	25	35	472	84
VT FH Flowmeter - 8	435	498	175	50	200	340	25	35	522	84
VT FH Flowmeter - 9	485	548	175	50	200	340	25	35	572	84
VT FH Flowmeter - 10	535	598	175	50	200	340	25	35	622	84
VT FH Flowmeter - 11	585	648	175	50	200	340	25	35	672	84
VT FH Flowmeter - 12	635	698	175	50	200	340	25	35	722	84

Heating Manifold for Surface Heating

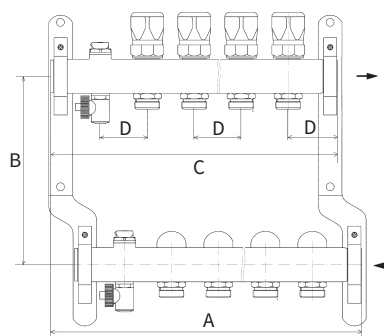
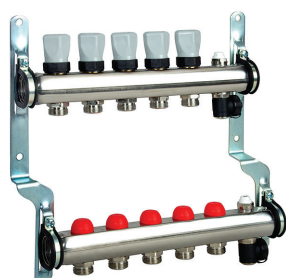
PG = 760


Manifold consisting of supply manifold and return manifold made of stainless steel profile and s-shaped wall bracket with sound-proofing insert in accordance with DIN 4109.

Supply and return manifold each with: 2 - 12 pcs. nickel-plated nipples with G 3/4" M (Euro taper), 1 pc. blind plug with G 1", 1 pc. air vent plug with G 1/2", rotatable, 1 pc. fill and drain plug with G 1/2", rotatable, with shut-off and regulation function, 1 pc. female thread G 1" primary side.

Return manifold includes 2 - 12 pcs. integrated thermostatic valve inserts M 30 x 1.5 incl. manual regulating cap.

- Manifold made of stainless steel
- Max. operating temp.: 90 °C (the max. permissible supply flow temp. of the surface heating must be respected)
- Max. operating pressure: 10 bar



Type	Number heating circuits	Connection		Dimensions [mm]					Article no.
		Primary side	Departure (ET)	A	B	C	D		
VT FH - 2	2	G 1" F	G 3/4" M	228	200	203	50	1	F18161
VT FH - 3	3	G 1" F	G 3/4" M	278	200	253	50	1	F18162
VT FH - 4	4	G 1" F	G 3/4" M	328	200	302	50	1	F18163
VT FH - 5	5	G 1" F	G 3/4" M	378	200	353	50	1	F18164
VT FH - 6	6	G 1" F	G 3/4" M	428	200	402	50	1	F18165
VT FH - 7	7	G 1" F	G 3/4" M	478	200	453	50	1	F18166
VT FH - 8	8	G 1" F	G 3/4" M	528	200	502	50	1	F18167
VT FH - 9	9	G 1" F	G 3/4" M	578	200	553	50	1	F18168
VT FH - 10	10	G 1" F	G 3/4" M	628	200	602	50	1	F18169
VT FH - 11	11	G 1" F	G 3/4" M	678	200	653	50	1	F18170
VT FH - 12	12	G 1" F	G 3/4" M	728	200	703	50	1	F18171



Pre-wired Heating Manifold Station

PG = 764

Pre-mounted and pre-wired manifold station, ready to install, for surface heatings, consisting of:


- Heating manifold with flowmeter installed in flush-mounted manifold cabinet
- Terminal strip
- Actuators pre-wired to terminal strip

Complete heating manifold consisting of stainless steel manifold 1" with female thread with presettable valves and flowmeters, 0-5 l/min, valve distance 50 mm, connections for heating circuits with G 3/4" M Euro taper, return flow valves (top), rotatable air vent drain 3/4" for filling, venting and draining, terminal strip 230 V for heating and cooling incl. pump module, actuators 230 V.

Flush-mounted manifold cabinet made of galvanised sheet steel in closed version, powder coating (commercial white RAL 9016), cabinet height adjustable from 750 to 850 mm, cabinet depth 110 - 165 mm, with a 45° bent edge, with manifold mounting rail, front flap with lock, supply and return flow connections optionally from left, right or below, clip rail for control module bar, pipe diverting rail, particularly easy to assemble thanks to detachable front skirt.

- Manifold made of stainless steel
- Max. primary operating temp.: 80 °C permanent temp., 95 °C short-term (the max. permissible supply flow temp. of the surface heating must be respected)
- Max. operating pressure: 6 bar



Type	Number heating circuits	Connection (ET)	Dimensions (Width) [mm]		Article no.
VT Station - 2	2	G 3/4" M	450	1	F18750
VT Station - 3	3	G 3/4" M	550	1	F18751
VT Station - 4	4	G 3/4" M	550	1	F18752
VT Station - 5	5	G 3/4" M	700	1	F18753
VT Station - 6	6	G 3/4" M	700	1	F18754
VT Station - 7	7	G 3/4" M	700	1	F18755
VT Station - 8	8	G 3/4" M	850	1	F18756
VT Station - 9	9	G 3/4" M	850	1	F18757
VT Station - 10	10	G 3/4" M	850	1	F18758
VT Station - 11	11	G 3/4" M	1000	1	F18759
VT Station - 12	12	G 3/4" M	1000	1	F18760

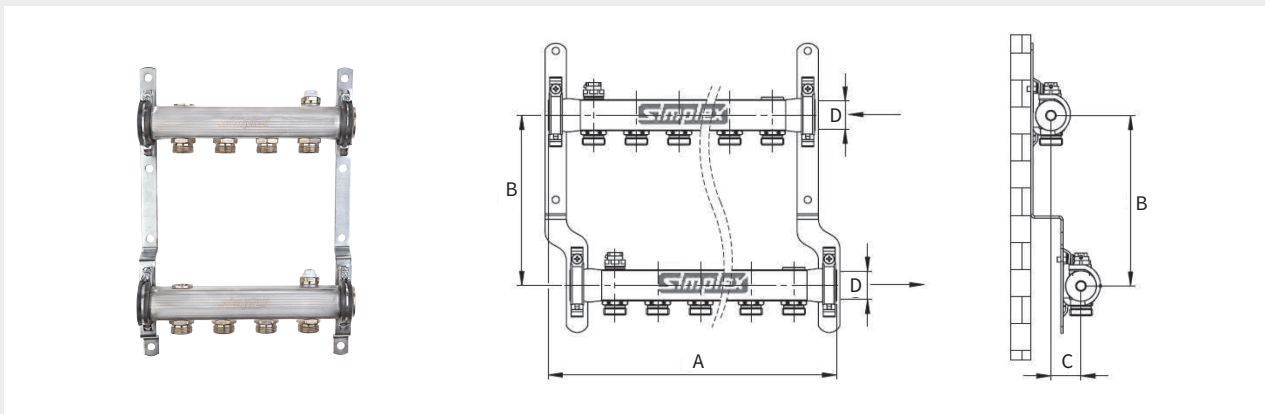


Heating Manifold for Radiator Connection PG = 701

Heating manifold for radiator connection, consisting of:
 2 pcs. DN 32 manifold bars for supply and return flow and s-shaped wall bracket with sound-proofing insert in accordance with DIN 4109.

Primary connections: Rp 1" for Simplex manifold connection kits (F14022 and F14023),
 Secondary connections G 3/4" M Euro taper,
 pre-installed drain valve and manifold plug DN 15 per manifold bar,
 can be retrofitted e.g. with immersion sleeve.

- Manifold made of stainless steel, valves and accessories made of nickel-plated brass
- Max. operating temperature: 110 °C
- Max. operating pressure: 10 bar



Type	Number heating circuits	Connection (D)	Dimensions [mm]			📦	Article no.
			A	B	C		
VT HK - 2	2	Rp 1"	178	200	35	1	F18050
VT HK - 3	3	Rp 1"	228	200	35	1	F18051
VT HK - 4	4	Rp 1"	278	200	35	1	F18052
VT HK - 5	5	Rp 1"	328	200	35	1	F18053
VT HK - 6	6	Rp 1"	378	200	35	1	F18054
VT HK - 7	7	Rp 1"	428	200	35	1	F18055
VT HK - 8	8	Rp 1"	478	200	35	1	F18056
VT HK - 9	9	Rp 1"	528	200	35	1	F18057
VT HK - 10	10	Rp 1"	578	200	35	1	F18058
VT HK - 11	11	Rp 1"	628	200	35	1	F18059
VT HK - 12	12	Rp 1"	678	200	35	1	F18060



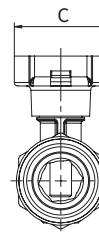
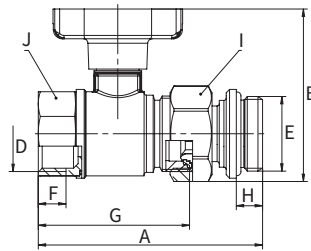
MANIFOLD ACCESSORIES

Manifold Connection Kit - Horizontal

PG = 760

For Simplex manifolds, consisting of:
2 pcs. ball valves with straight screw connection with O-ring seal, T-handles, thermometer can be retrofitted.

- Components made of nickel-plated brass
- Sealing materials: EPDM
- Max. operating temperature: 110 °C
- Max. operating pressure: 10 bar



Type	Connection			Article no.
	D	E		
Manifold Conn. Kit H	G 1" F	G 1" M	1	F14022



Dimensions

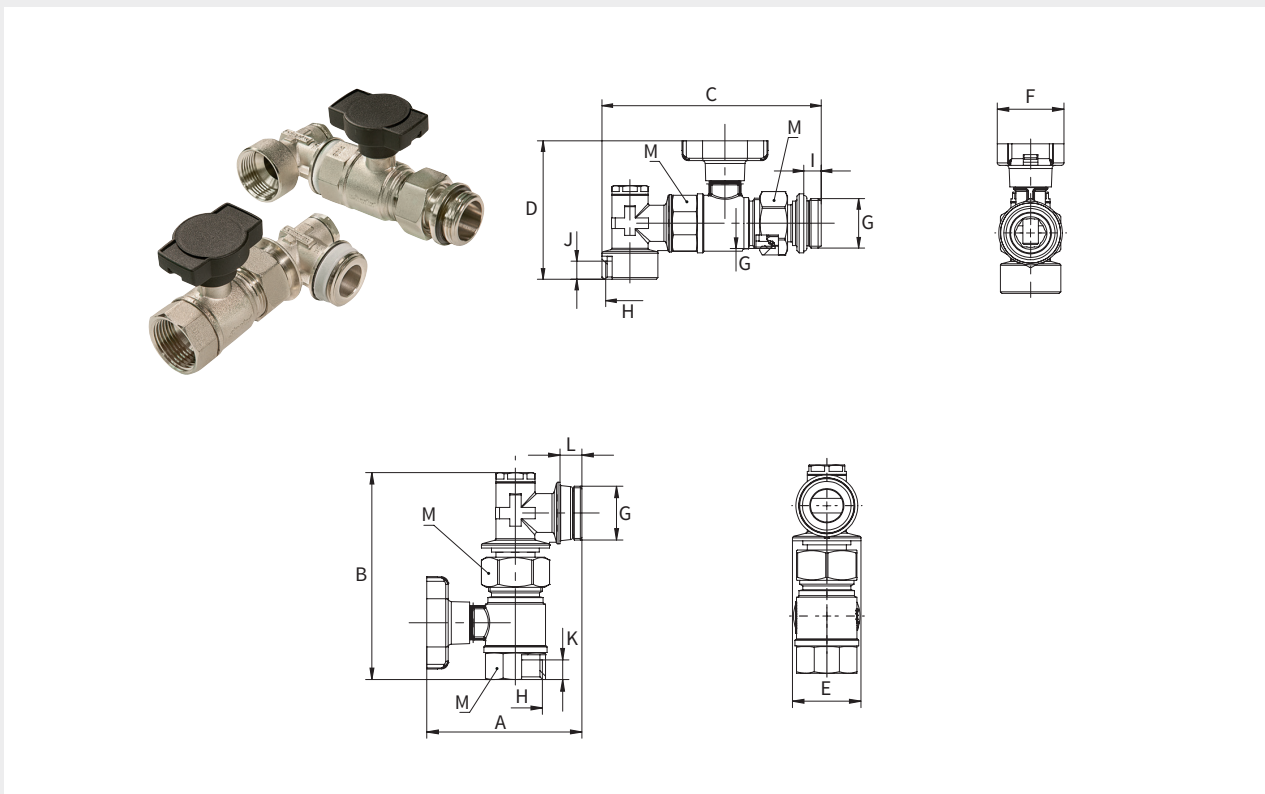
Type	Dimensions [mm]							
	A	B	C	F	G	H	I (WS)	J (WS)
Manifold Conn. Kit H	99	76	41	12.2	67	11.5	37	37

Manifold Connection Kit - Vertical

PG = 760

For Simplex manifolds, consisting of:
 2 pcs. ball valves with screw connection with O-ring seal, T-handles, thermometer can be retrofitted,
 2 pcs. 90° angle connection with self-sealing thread for vertically mounting the manifold supply lines.

- Components made of nickel-plated brass
- Sealing materials: EPDM
- Max. operating temperature: 110 °C
- Max. operating pressure: 10 bar



Type	Connection			Article no.
	H	G		
Manifold Conn. Kit V	G 1" F	G 1" M	1	F14023



Dimensions

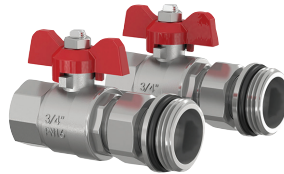
Type	Dimensions [mm]										
	A	B	C	D	E	F	I	J	K	L	M (WS)
Manifold Conn. Kit V	96	128	145	92	42	41	11.5	12	12.2	13,5	37


BASIC Manifold Connection Kit - Horizontal

PG = 760

For Simplex manifolds with horizontal connection to manifold lines, consisting of:
2 pcs. ball valves in straight pattern with screw connection, including seal and butterfly handle.

- Components made of nickel-plated brass
- Sealing materials: EPDM
- Max. operating temperature: 95 °C
- Max. operating pressure: 10 bar



Type	Nom. diameter	Connection			Article no.
		pipe side	manifold side		
BASIC Manifold Conn. H DN20	DN 20	G 3/4" F	G 1" M	1	F14018
BASIC Manifold Conn. H DN25	DN 25	G 1" F	G 1" M	1	F14028




BASIC Manifold Connection Kit - Vertical

PG = 760

For Simplex manifolds with vertical connection to manifold lines, consisting of:
1 pc. ball valve in straight pattern with screw connection, including seal and butterfly handle,
1 pc. ball valve in angular shape with screw connection, including seal and butterfly handle,
1 pc. connection elbow 90° with female and male thread.

- Components made of nickel-plated brass
- Sealing materials: EPDM
- Max. operating temperature: 95 °C
- Max. operating pressure: 10 bar



Type	Nom. diameter	Connection			Article no.
		pipe side	manifold side		
BASIC Manifold Conn. V DN20	DN 20	G 3/4" F	G 1" M	1	F14019
BASIC Manifold Conn. V DN25	DN 25	G 1" F	G 1" M	1	F14029

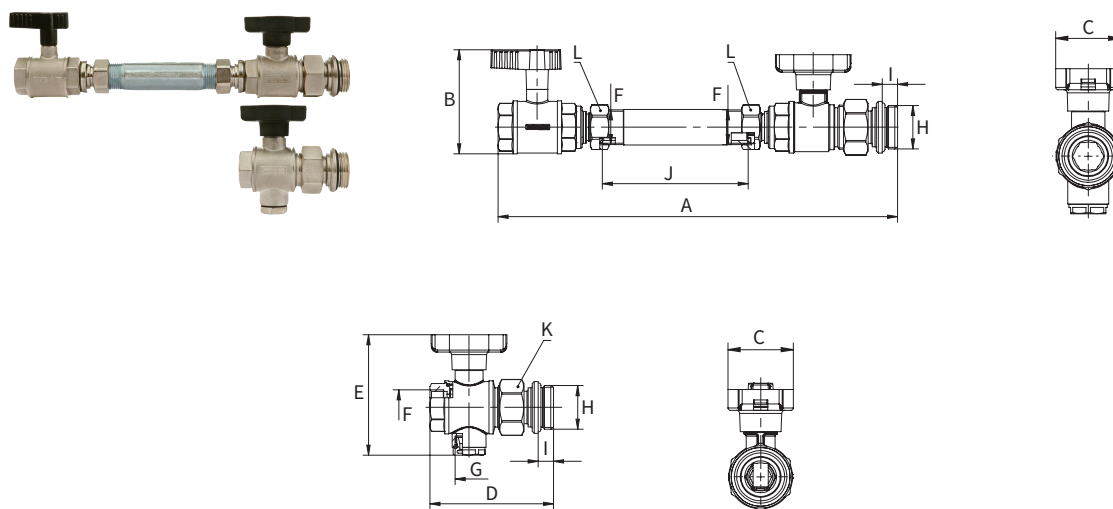



Universal Heat Meter Attachment Kit, Horizontal

PG = 760

For Simplex manifolds, consisting of:
 3 pcs. ball valves with screw connection with O-ring seal, T-handles, thermometer can be retrofitted,
 1 pc. heat meter adapter piece 110 mm, G 1" M for manifold bar,
 ball valves G 3/4" F, for heat meters up to 1.5 m³/h.

- Components made of nickel-plated brass
- Sealing materials: EPDM
- Max. operating temperature: 110 °C
- Max. operating pressure: 10 bar



Type	F	Connection	H		Article no.
Heat Meter Att. Kit H	G 3/4" F	G 1/2" F and M 10 x 1 F	G 1" M	1	F14030



Dimensions

Type	Dimensions [mm]								
	A	B	C	D	E	I	J	K (WS)	L (WS)
Heat Meter Att. Kit H	301.5	78.5	41	93	91	11.5	110	37	30

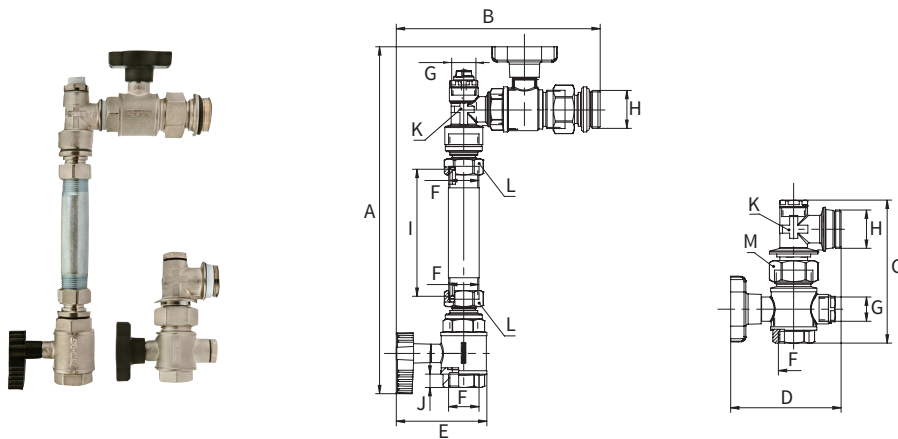
Universal Heat Meter Attachment Kit, Vertical


PG = 760

For Simplex manifolds, consisting of:

3 pcs. ball valves with screw connection with O-ring seal, T-handles, thermometer can be retrofitted,
 2 pcs. 90° angle connection with self-sealing thread for vertically mounting the manifold supply lines,
 1 pc. heat meter adapter piece 110 mm, G 1" M for manifold bar,
 ball valves G 3/4" F, for heat meters up to 1.5 m³/h.

- Components made of nickel-plated brass
- Sealing materials: EPDM
- Max. operating temperature: 110 °C
- Max. operating pressure: 10 bar



Type	F	Connection	H		Article no.
Heat Meter Att. Kit V	G 3/4" F	G 1/2" F and M 10 x 1 F	G 1" M	1	F14031



Dimensions

Type	Dimensions [mm]									
	A	B	C	D	E	I	J	K (WS)	L (WS)	M (WS)
Heat Meter Att. Kit V	301	177	124	96	78.5	110	11.5	27	30	37

Fixed Set-point Controller Set F36 with Contact Sensor

PG = 760

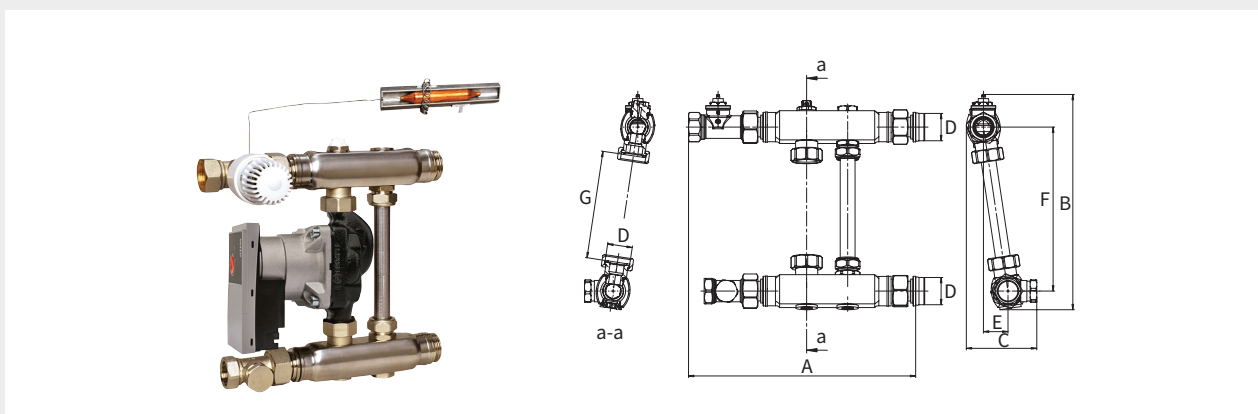
4


Compact control station of the flow line temperature of surface heating systems up to 15 kW heating requirement, assembled directly to the heating circuit manifold. The connection can occur on the right or left of the manifold. The low installation depth of the unit makes it possible to install in standard manifold boxes.

The controller set consisting of:

Fixed set-point controller set, pump including connection cable, thermostatic head with contact sensor, heat conducting base, straight wall bracket.

- Components made of stainless steel
- Sealing materials: EPDM
- Max. operating temperature: 90 °C
- Max. operating pressure: 10 bar



Type	Pump	Nom. diameter	Connection		Article no.
FWR-A WILO	WILO High Efficiency	DN 20	G 1" F	1	F18770
FWR-A GF	WILO High Efficiency	DN 20	G 1" F	1	F18771



Dimensions

Type	Dimensions [mm]					
	A	B	C	E	F	G
FWR-A WILO/GF	277	262	83	28	200	130

Fixed Set-point Controller Set F36 with Immersion Sensor

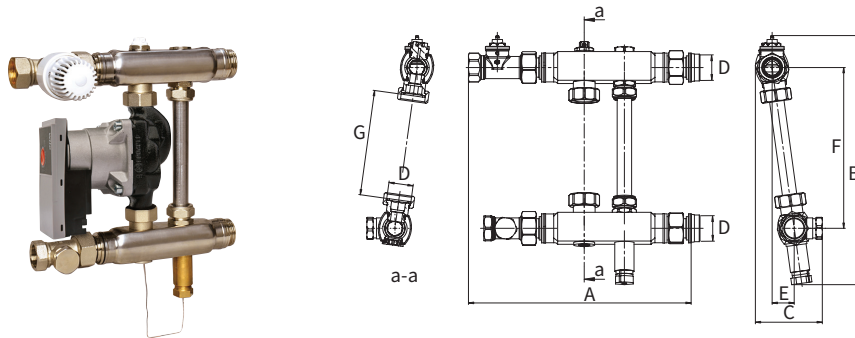
PG = 760

Compact control station of the flow line temperature of surface heating systems up to 15 kW heating requirement, assembled directly to the heating circuit manifold. The connection can occur on the right or left of the manifold. The low installation depth of the unit makes it possible to install in standard manifold boxes.

The controller set consisting of:

fixed set-point controller set, pump including connection cable, thermostatic head with immersion sensor, straight wall bracket.

- Components made of stainless steel
- Sealing materials: EPDM
- Max. operating temperature: 90 °C
- Max. operating pressure: 10 bar



Type	Pump	Nom. diameter	Connection		Article no.
FWR-T WILO	WILO High Efficiency	DN 20	G 1" F	1	F18772
FWR-T GF	WILO High Efficiency	DN 20	G 1" F	1	F18773



Dimensions

Type	Dimensions [mm]					
	A	B	C	E	F	G
FWR-T WILO/GF	277	310	83	28	200	130

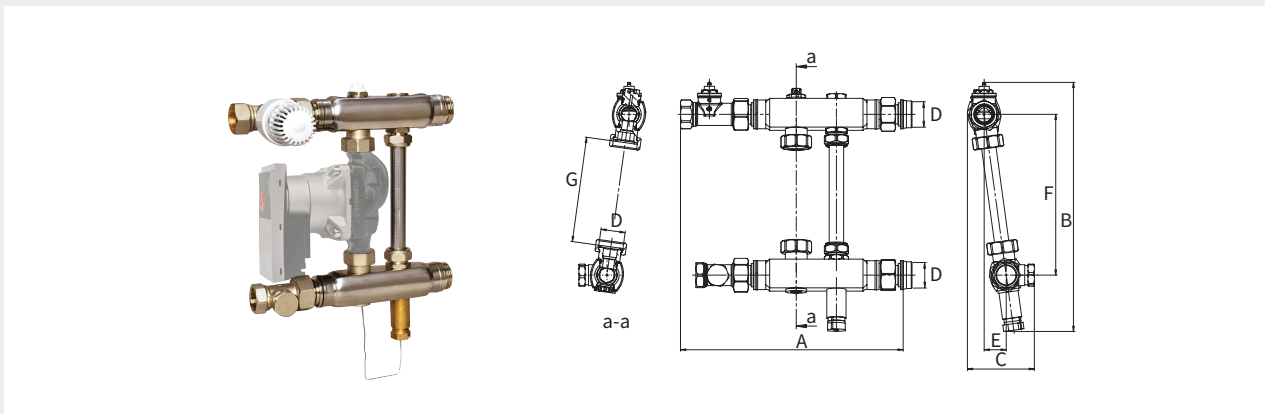
Fixed Set-point Controller Set F36 with Contact Sensor, without Pump PG = 760


Compact control station of the flow line temperature of surface heating systems up to 15 kW heating requirement, assembled directly to the heating circuit manifold. The connection can occur on the right or left of the manifold. The low installation depth of the unit makes it possible to install in standard manifold boxes.

The controller set consisting of:

Fixed set-point controller set, thermostatic head with immersion sensor, straight wall bracket, flow rate adjustable via control valve, adjustable bypass algorithm, temperature safety switch, adjustment range: 50 °C cut-off temperature, without electric installation.

- Components made of stainless steel
- Sealing materials: EPDM
- Max. operating temperature: 90 °C
- Max. operating pressure: 10 bar



Type	Pump	Nom. diameter	Connection		Article no.
FWR-T	-	DN 20	G 1" F	1	F18774



Dimensions

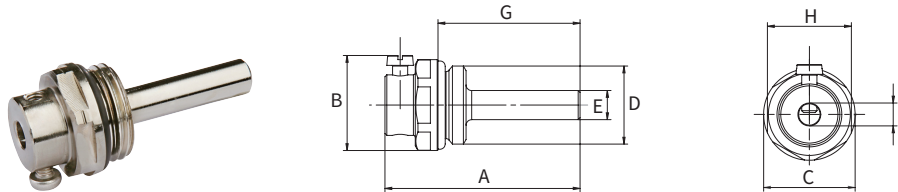
Type	Dimensions [mm]					
	A	B	C	E	F	G
FWR-T	277	310	83	28	200	130

Immersion Sleeve for Temperature Sensor

PG = 760

For temperature sensor, sensor seat approx. 5.6 x 50 mm.

- Components made of nickel-plated brass
- Sealing materials: EPDM
- Max. primary operating temp.: 80 °C permanent temp., 95 °C short-term
- Max. operating pressure: 6 bar



Type	Connection (D)	Dimensions [mm]								Article no.
		A	B	C	E	F	G	H (WS)		
Immersion Sleeve	G 1/2" M	51.5	25	24	7.7	6	37.7	22	1	F14032



Contact Thermometer for Manifold

PG = 760

For easy installation on the stainless steel manifold, measuring range 0 - 80 °C, fixed by means of a tension spring, 33 mm diameter.



Type	Version		Article no.
Contact Thermometer	incl. tension spring	1	F18525



Retrofit Kit for Thermometer Handle

PG = 760

In combination with Simplex T-handle of the manifold connection kits and the heat meter attachment kits.

- Components made of plastic



Type	Suitable for		Article no.
Retrofit Kit Therm. Handle	T-handle	1	F14024




Actuator

PG = 762



Silent and maintenance-free, closed without current, for zone regulation, plug-in assembly with valve adapter, adjustment control, function display, "First-open" function, splash proof IP54, "Up-side-down" installation possible, connection line 2 x 0.75 mm², supply line 1 m, incl. valve adapter VA91, thread M 30 x 1.5.

Type	Version		Article no.
STA - 230 V	230 V	1	F18473
STA - 24 V	24 V	1	F18474

ANALOG Room Thermostat

PG = 762




Room temperature controller to detect and control the required room temperature. The required room temperature is set using the soft-lock dial.

Voltage is supplied directly via a terminal strip or a separate power source, "stand-alone" control or control integrated within a system, designed for heating systems, with set-back input for time-controlled set-back of the room temperature e.g. via an external system time clock, setpoint calibration, frost protection function, colour: signal white.

Technical data:

- Operating voltage: 230 V
- 50 Hz voltage supply via basic or external power unit
- IP rating: IP 20
- Protection class: II
- Switching power: 2 A ohmic load, 200 VA inductive
- Setpoint temperature range: 10 - 28 °C
- Activation of setpoint temperature demand: 0.25 °C
- Set-back temperature: 4 °C
- Max. no. of connectible actuators: 10 (max. 3 W/actuator)
- Connection terminals: 5 screw-type terminals - 0.22 mm² to 1.5 mm²
- Material: PC and ABS
- Dimensions (W x H x D): 86 x 86 x 29 mm
- Slimline, compact version
- Ease of installation and operation
- Excellent operational reliability, maintenance-free

Type	Version		Article no.
RT ANALOG	for heating systems	1	F18585




Room temperature controller to detect and control the required room temperature. With display and push-turn dial and soft-lock.

For heating/cooling including "change-over" input, selectable heating system, adjustable set-back temperature, voltage is supplied directly via a terminal strip or a separate power source, "stand-alone" control or control integrated within a system, designed for heating and cooling systems, different operating modes, adjustable set-back temperature, set-back input for time-controlled set-back of room temperature e.g. via an external system time clock, "change-over" input, correction of actual temperature detection, setpoint temperature limit, valve protection function, frost protection function, suitable for actuators with NC or NO control direction, switchable between (NC: normally closed / NO: normally open), colour: pure white.

Technical data:

- Operating voltage: 230 V
- 50 Hz voltage supply via basic or mains power connection
- IP rating: IP 20
- Protection class: II
- Switching power: 1 A ohmic load, 200 VA inductive
- Setpoint temperature range: 5 - 30 °C
- Activation of setpoint temperature demand: 0.2 °C
- Set-back temperature: adjustable
- Max. no. of connectible actuators: 5 (max. 3 W/actuator)
- Connection terminals: 6 screw-type terminals - 0.22 mm² to 1.5 mm²
- Material: ABS
- Dimensions (W x H x D): 86 x 86 x 31 mm

- Slimline, compact version
- Large clearly arranged LCD with built-in back light
- Ease of installation and operation
- Excellent operational reliability, maintenance-free

Type	Version		Article no.
RT KOMFORT	for heating and cooling systems	1	F18594
RT CONTROL	for heating and cooling systems, with weekly time switch	1	F18635

Terminal Strip

PG = 762

4




Central connection unit of a room-by-room control for the surface temperature adjustment of heating and cooling systems.

6 or 10 control zones, for 230 V NC actuators, including pump control, connections for a temperature limiter/dewpoint sensor and input for "change-over" signal, 15 or 21 terminals for connection of max. 15 or 21 actuators, screwless terminal connection technology, proven cable routing and standard-compliant strain relief, designed for heating and/or cooling systems, protective conductor intermediate connection, mains terminal block for pump/boiler circuit, pump control, signal input for temperature limiter or dewpoint sensor, set-back channel connection for an external system time clock "change-over" connection for heating/cooling, suitable for NC actuators without pump control, also suitable for NO actuators (NO: normally open), colour of housing/cover: light grey/transparent.

Technical data:

- Operating voltage: 230 V, 50 Hz
 - Max. power consumption: 50 VA
 - IP rating: IP 20
 - Protection class: II
 - Heating zones: 6 or 10
 - Max. no. of connectible actuators: 15 or 21
 - Housing material: ABS
 - Dimensions (H x L x D): 90 x 326.5 x 52 mm
-
- Ease of installation and operation
 - Excellent operational reliability, maintenance-free

Type	Version		Article no.
Terminal Strip - 6	6 control zones	1	F18591
Terminal Strip - 10	10 control zones	1	F18592

EXCLUSIV Manifold Cabinet, Wall-Mounted

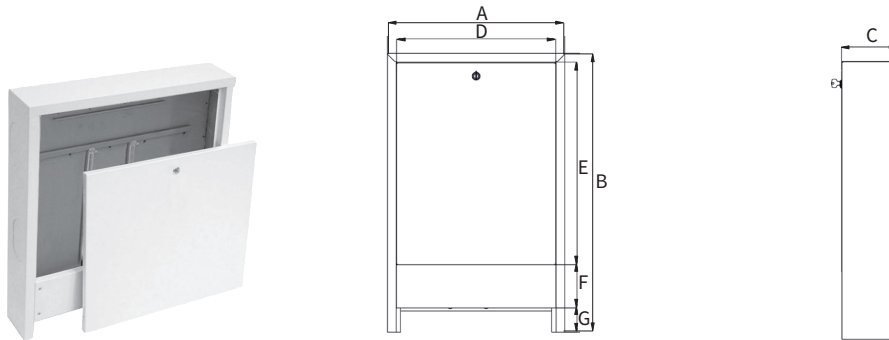
PG = 761


For Simplex manifolds. Features:

- Cabinet height 710 mm
- Cabinet depth 140 mm
- Powder coating (commercial white RAL 9016)
- Smooth sides
- Supply and return flow connections from below
- Manifold mounting rail
- Front flap with lock
- Clip rail for control module bar
- Pipe diverting rail
- Packed in a box
- Particularly easy to assemble thanks to detachable rear wall

→ **Further sizes on request!**

- Made of galvanised sheet steel in closed version



Type	Dimensions [mm]								Article no.
	A	B	C	D	E	F	G		
Cabinet E-AP - 450	450	710	140	406	516	110	62	1	F18550
Cabinet E-AP - 550	550	710	140	506	516	110	62	1	F18551
Cabinet E-AP - 700	700	710	140	656	516	110	62	1	F18552
Cabinet E-AP - 850	850	710	140	806	516	110	62	1	F18553
Cabinet E-AP - 1000	1000	710	140	956	516	110	62	1	F18554
Cabinet E-AP - 1200	1200	710	140	1156	516	110	62	1	F18555



Manifold Cabinet Selection (EXCLUSIV Cabinets)

Cabinet Width	Heating Circuits Manifold + Manifold Connection Set horizontal	Heating Circuits Manifold + Manifold Connection Kit vertical	Heating Circuits Manifold + Heat Meter Attachm. Kit horizontal	Heating Circuits Manifold + Heat Meter Attachm. Kit vertical	Heating Circuits Manifold + Fixed Value Control Set
450	2-3	2	-	2	-
550	4-5	3-4	-	3-4	-
700	6-8	5-7	2-4	5-7	2-3
850	9-11	8-10	5-7	8-10	4-6
1000	12	11-12	8-10	11-12	7-9
1200	13-15	13-15	11-12	13-15	10-12

The manifold cabinet selection depends on the number of heating circuits and the distributor accessories.

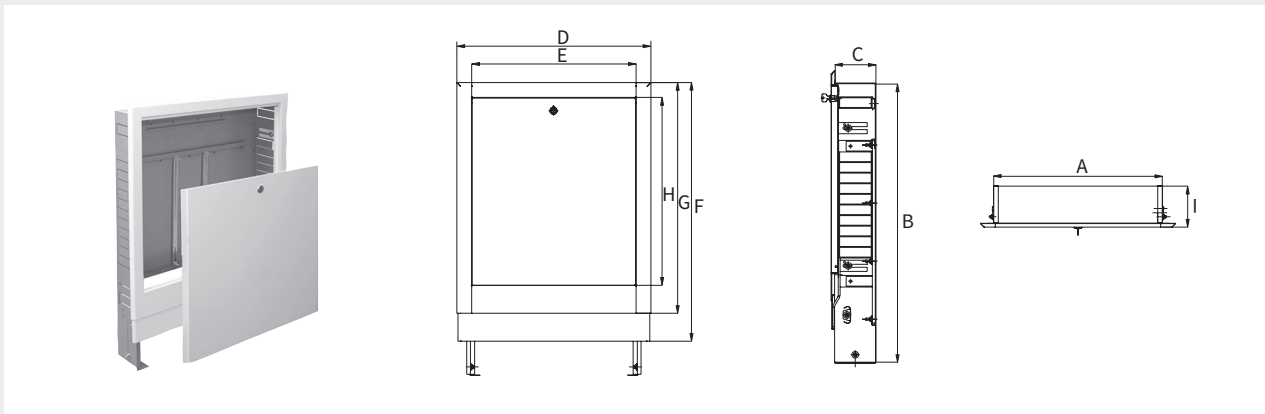
EXCLUSIV Manifold Cabinet, Flush-Mounted PG = 761

For Simplex manifolds. Features:

- Cabinet height adjustable from 750 to 850 mm
- Cabinet depth 110 - 165 mm
- Powder coating (commercial white RAL 9016)
- With a 45° bent edge
- Supply and return flow connections optionally from left, right or below
- Manifold mounting rail
- Front flap with lock
- Clip rail for control module bar
- Pipe diverting rail
- Packed in a box
- Particularly easy to assemble thanks to detachable front skirt

→ **Further sizes on request!**

- Made of galvanised sheet steel in closed version



Type	Dimensions [mm]										Article no.
	A	B	C	D	E	F	G	H	I		
Cabinet E-UP - 450	450	750 - 850	110 - 165	522	442	639 - 695	620	505	120	1	F18556
Cabinet E-UP - 550	550	750 - 850	110 - 165	622	542	639 - 695	620	505	120	1	F18557
Cabinet E-UP - 700	700	750 - 850	110 - 165	772	682	639 - 695	620	505	120	1	F18558
Cabinet E-UP - 850	850	750 - 850	110 - 165	922	842	639 - 695	620	505	120	1	F18559
Cabinet E-UP - 1000	1000	750 - 850	110 - 165	1072	992	639 - 695	620	505	120	1	F18560
Cabinet E-UP - 1200	1200	750 - 850	110 - 165	1272	1192	639 - 695	620	505	120	1	F18561



Manifold Cabinet Selection (EXCLUSIV Cabinets)

Cabinet Width	Heating Circuits Manifold + Manifold Connection Set horizontal	Heating Circuits Manifold + Manifold Connection Kit vertical	Heating Circuits Manifold + Heat Meter Attachm. Kit horizontal	Heating Circuits Manifold + Heat Meter Attachm. Kit vertical	Heating Circuits Manifold + Fixed Value Control Set
450	2-3	2	-	2	-
550	4-5	3-4	-	3-4	-
700	6-8	5-7	2-4	5-7	2-3
850	9-11	8-10	5-7	8-10	4-6
1000	12	11-12	8-10	11-12	7-9
1200	13-15	13-15	11-12	13-15	10-12

The manifold cabinet selection depends on the number of heating circuits and the distributor accessories.

STANDARD Manifold Cabinet, Wall-Mounted

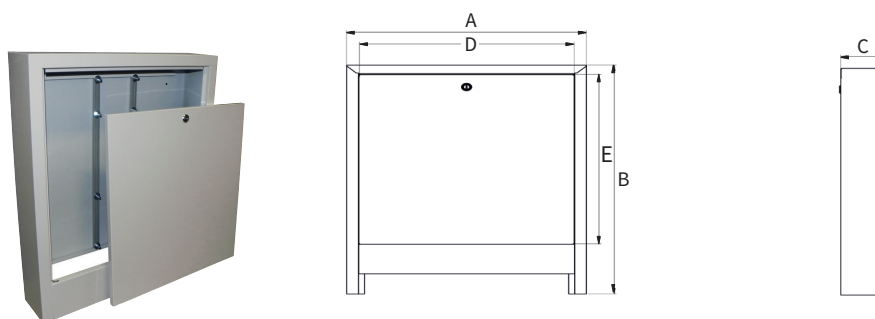
PG = 761


For Simplex manifolds. Features:

- Cabinet height 585 mm
- Cabinet depth 110 mm
- Powder coating (commercial white RAL 9016)
- Smooth sides
- Supply and return flow connections from below
- Manifold mounting rail
- Front flap with twist lock
- Pipe diverting rail
- Packed in a box
- Particularly easy to assemble thanks to detachable rear wall

→ **Further sizes on request!**

- Made of galvanised sheet steel in closed version



Type	Dimensions [mm]						Article no.
	A	B	C	D	E		
Cabinet S-AP - 450	450	585	110	405	436	1	F18562
Cabinet S-AP - 550	550	585	110	505	436	1	F18563
Cabinet S-AP - 700	700	585	110	655	436	1	F18564
Cabinet S-AP - 850	850	585	110	805	436	1	F18565
Cabinet S-AP - 1000	1000	585	110	955	436	1	F18566



Manifold Cabinet Selection (STANDARD Cabinets)

Cabinet Width	Heating Circuits Manifold + Manifold Connection Set horizontal	Heating Circuits Manifold + Manifold Connection Kit vertical	Heating Circuits Manifold + Heat Meter Attachm. Kit horizontal	Heating Circuits Manifold + Heat Meter Attachm. Kit vertical	Heating Circuits Manifold + Fixed Value Control Set
450	2-3	2	-	2	-
550	4-5	3-4	-	3-4	-
700	6-8	5-7	2-4	5-7	2-3
850	9-11	8-10	5-7	8-10	4-6
1000	12	11-12	8-10	11-12	7-9

The manifold cabinet selection depends on the number of heating circuits and the distributor accessories.

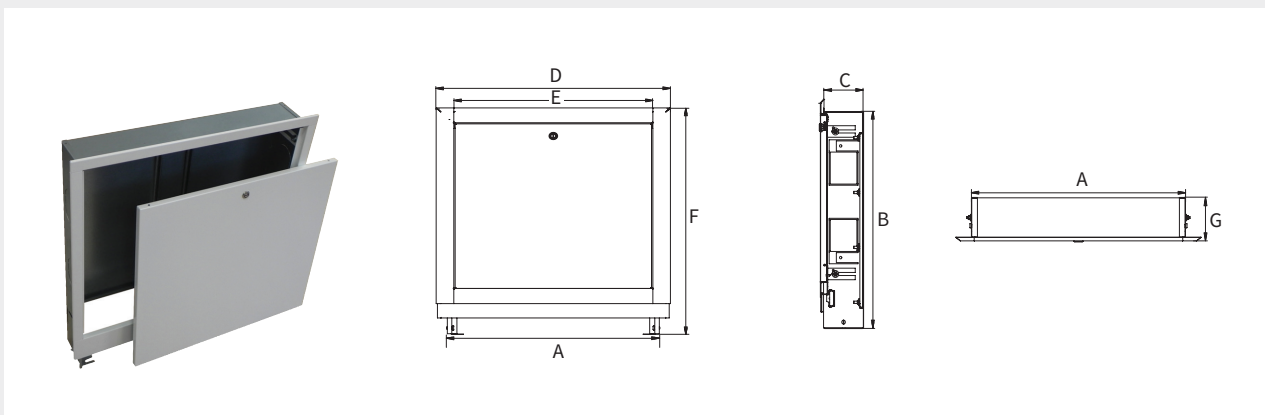
STANDARD Manifold Cabinet, Flush-Mounted PG = 761


For Simplex manifolds. Features:

- Cabinet height adjustable from 560 to 660 mm
- Cabinet depth 110 - 165 mm
- Powder coating (commercial white RAL 9016)
- Supply and return flow connections optionally from left, right or below
- Manifold mounting rail
- Front flap with twist lock
- Pipe diverting rail
- Packed in a box
- Particularly easy to assemble thanks to detachable front skirt

→ **Further sizes on request!**

- Made of galvanised sheet steel in closed version



Type	Dimensions [mm]								Article no.
	A	B	C	D	E	F	G		
Cabinet S-UP - 450	450	560 - 660	110 - 165	518	435	594 - 694	120	1	F18567
Cabinet S-UP - 550	550	560 - 660	110 - 165	618	535	594 - 694	120	1	F18568
Cabinet S-UP - 700	700	560 - 660	110 - 165	768	685	594 - 694	120	1	F18569
Cabinet S-UP - 850	850	560 - 660	110 - 165	918	835	594 - 694	120	1	F18570
Cabinet S-UP - 1000	1000	560 - 660	110 - 165	1068	985	594 - 694	120	1	F18571



Manifold Cabinet Selection (STANDARD Cabinets)

Cabinet Width	Heating Circuits Manifold + Manifold Connection Set horizontal	Heating Circuits Manifold + Manifold Connection Kit vertical	Heating Circuits Manifold + Heat Meter Attachm. Kit horizontal	Heating Circuits Manifold + Heat Meter Attachm. Kit vertical	Heating Circuits Manifold + Fixed Value Control Set
450	2-3	2	-	2	-
550	4-5	3-4	-	3-4	-
700	6-8	5-7	2-4	5-7	2-3
850	9-11	8-10	5-7	8-10	4-6
1000	12	11-12	8-10	11-12	7-9

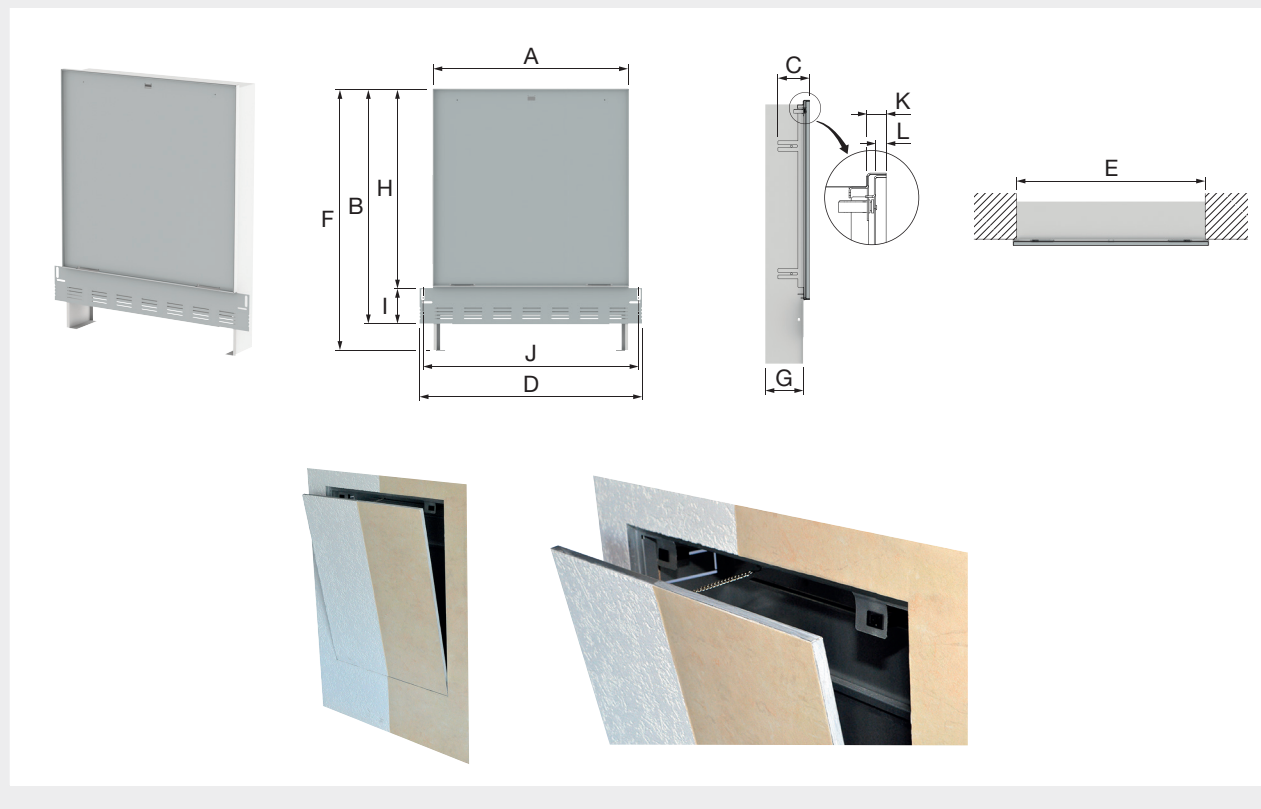
The manifold cabinet selection depends on the number of heating circuits and the distributor accessories.

MYDESIGN Wall-integrated Cabinet Cover

PG = 761

Cover can be integrated into wall, individual design of the wall surface, suitable for Simplex EXCLUSIV manifold cabinets, integrable into each wall surface e.g. plaster, tiles, wallpaper, spatula technology and much more. Invisible opening with "push-to-open" technology with safety chain. Preparation of the ground and mounting of the filling material on site.

- Components made of galvanised sheet metal



Type	Suitable for		Article no.
Manifold Cover - 450	EXCLUSIV cabinet flush-mounted 450 mm	1	F18543
Manifold Cover - 550	EXCLUSIV cabinet flush-mounted 550 mm	1	F18544
Manifold Cover - 700	EXCLUSIV cabinet flush-mounted 700 mm	1	F18545
Manifold Cover - 850	EXCLUSIV cabinet flush-mounted 850 mm	1	F18546
Manifold Cover - 1000	EXCLUSIV cabinet flush-mounted 1000 mm	1	F18547



Dimensions

Type	Dimensions [mm]											
	A	B	C	D	E*	F (min./max.)	G	H	I	J	K	L
Manifold Cover - 450	474	687	90	550	450	764 / 881	110-150	580	62-107	530	19	10
Manifold Cover - 550	574	687	90	650	550	764 / 881	110-150	580	62-107	630	19	10
Manifold Cover - 700	724	687	90	800	700	764 / 881	110-150	580	62-107	780	19	10
Manifold Cover - 850	874	687	90	950	850	764 / 881	110-150	580	62-107	930	19	10
Manifold Cover - 1000	1024	687	90	1100	1000	764 / 881	110-150	580	62-107	1080	19	10

* Cabinet width

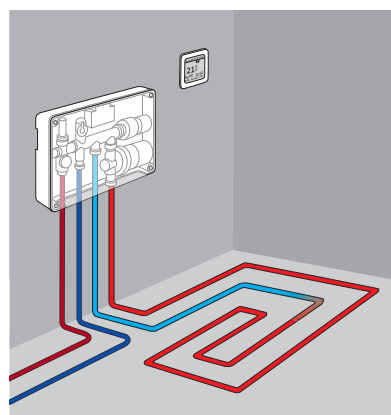
REGULATION BOXES

Types of regulation boxes according to application

5 - 40 m²

Room temperature-dependent regulation with supply temperature limitation (System Regulation Boxes)

The intelligent solution for room temperature regulation in single room surface heating systems. In combination with any standard 230 V room thermostat, the KOMPAKT and the KOMFORT system regulation box enables the implementation of simple to time-controlled temperature regulation for personalized and energy-saving regulation of the surface heating.

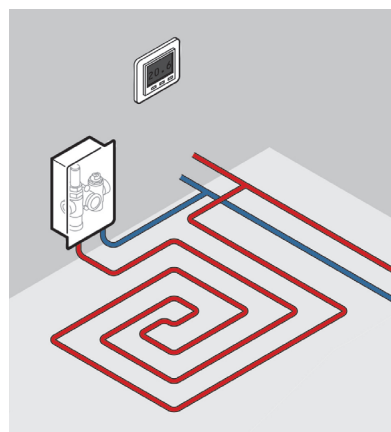


System Regulation Boxes: Room temperature regulation with supply temperature limitation for single room surface heating systems

> 15 m²

Room temperature-dependent regulation with return temperature limitation (RTL-TH Regulation Boxes)

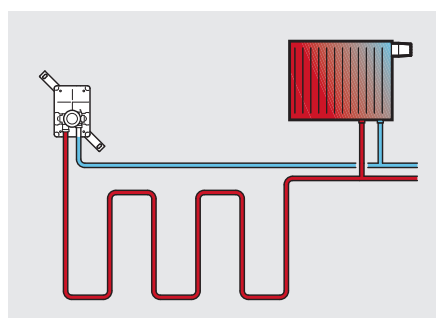
The convenient option for operating surface heating systems with high supply temperatures in RTL circuits. Particularly suitable for retrofitting existing buildings, partial equipping of new houses or decentralized regulated surface heating without a manifold.



RTL-TH Regulation Boxes: Room temperature regulation even at high supply temperatures (for use in surface heating as primary heating)

Return flow temperature-dependent regulation (RTL Regulation Boxes)

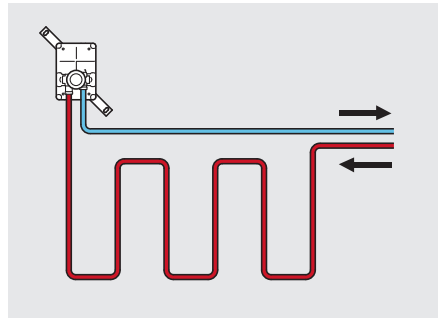
These regulation boxes regulate surface heating reliably and without auxiliary power. In conjunction with a room temperature regulated heating system, this regulation box can be used for base load supply heat for a room and for floor heating.



RTL Regulation Boxes: Surface heating and base load heat supply even at high supply temperatures

Room temperature-dependent regulation (TH Regulation Boxes)

Temperature regulation via built-in room thermostat. This version is used for low temperature heating systems, when the supply temperature of the connected surface heating does not need to be limited.



TH Regulation Boxes: Room temperature regulation at low supply temperatures

Technical features depending on the version

Safety temperature limiter

Protects the surface heating system from overheating when a faulty thermostat head causes excessive supply temperature. After cooling off, the valve can be reset by pressing on the valve insert.

Flow indicator and regulation

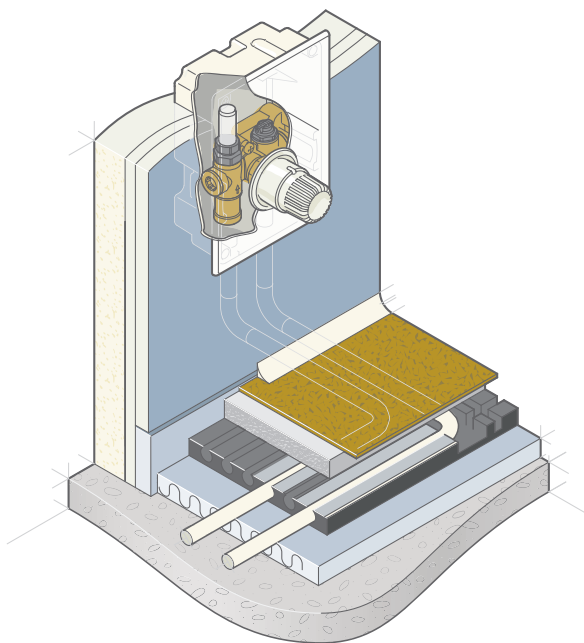
The return volume flow can be regulated. With the integrated adjustment portion, the volume flow can be set and read for controlling.

Digital room thermostat

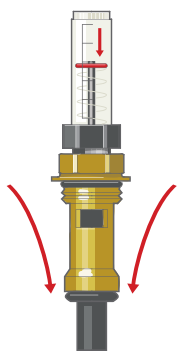
Electronic concealed room thermostat, can be integrated into various switch series, programmable, with automatic function and illuminated display with temperature and heating display.

Fill and drain valve

For easy filling, draining and flushing of the system.



All Simplex Regulation Boxes can be easily installed and connected to surface heating systems using the easy to connect wall installation box.



Adjustment and shut-off valve for volume flow regulation

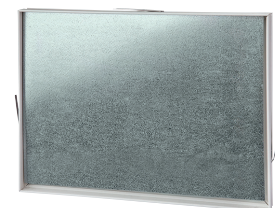
KOMPAKT / KOMFORT SYSTEM REGULATION BOXES

The KOMPAKT/KOMFORT regulation box is used to operate a single room surface heating system, allowing for **room temperature-dependent regulation of the surface heating system while limiting the supply temperature** (setting range 10 - 50 °C).

Operation by means of an electric room temperature controller (not included, please order separately).

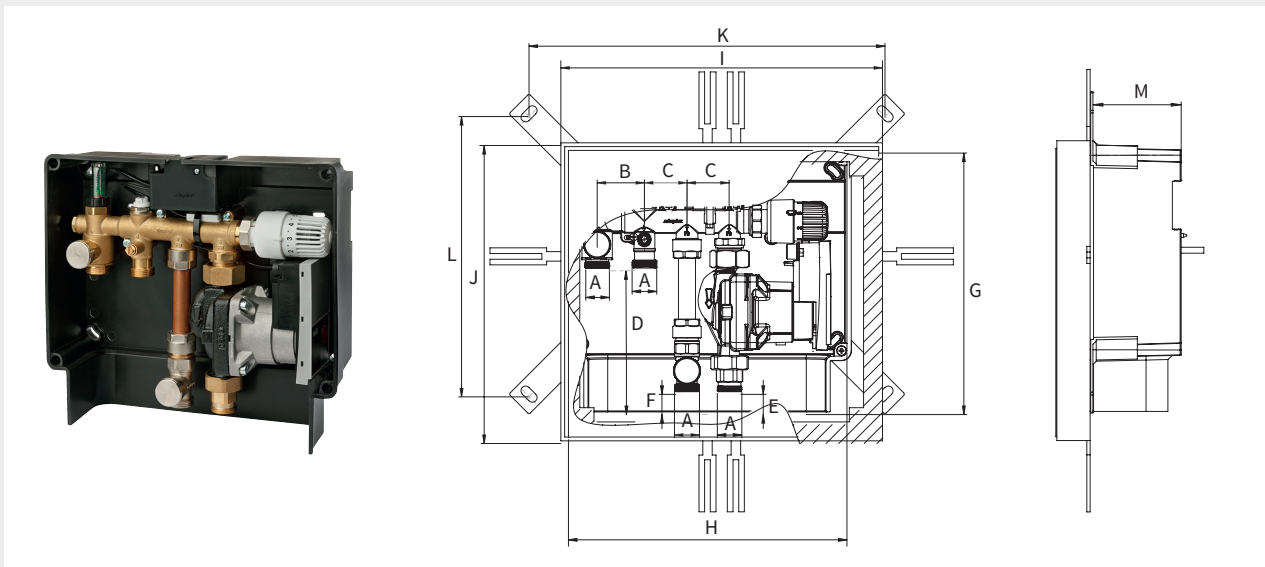
Features:

- Wall installation box, with pre-installed valve module with venting and draining
 - Valve module connection with G 3/4" M Euro taper for connection with compression adapters on the pipe side
 - Wall covering
 - Safety temperature switch
 - Shut-off set with hose connection for easy handling during commissioning and maintenance work
 - Regulation head for setting the supply temperature
 - Topmeter for flow indication and regulation
 - Pre-adjustable circulating pump
 - "Easy-connect" plug-in connection for electrical connection
 - Primary circuit connections with separate shut-off
-
- Components made of brass, steel and plastic
 - Sealing materials: EPDM, PTFE
 - Max. operating temperature: 60 °C
 - Max. operating pressure: 6 bar



KOMPAKT System Regulation Box PG = 736

- Plastic wall installation box
- Wall covering consists of tile frame with depth compensation and universal cover (additional cover options available)
- Built into masonry



Type	Connection D (ET)	Wall Covering		Article no.
RB KOMPAKT	G 3/4" M	tile frame	1	F11852



Dimensions

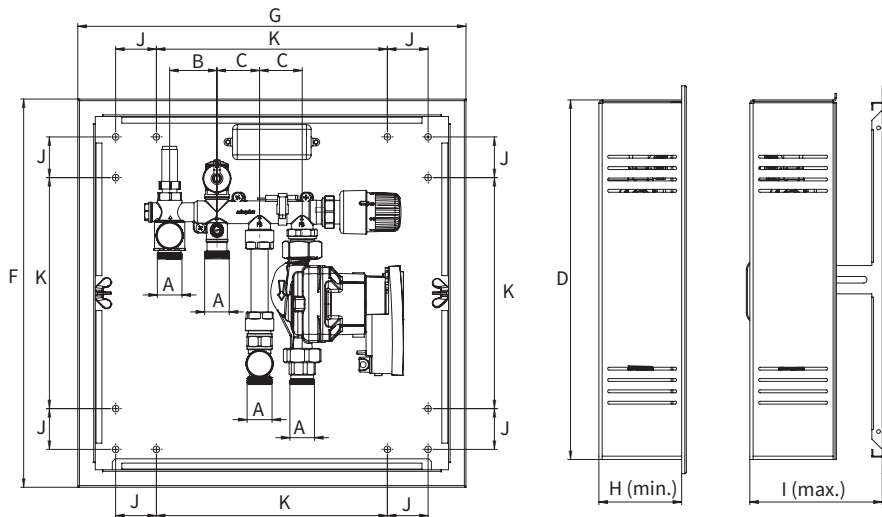
Type	Dimensions [mm]											
	B	C	D	E	F	G*	H*	I	J	K	L	M
RB KOMPAKT	50	45	147	16	25	280	305	340	315	377	296	80

* Wall box

KOMFORT System Regulation Box

PG = 736

- Metal wall installation box
- Wall covering consists of a coated case with depth adjustment
- With filling equipment
- Exchangeable primary circuit connection, right or left
- Extension for larger heating surfaces
- Built into masonry or dry construction



Type	Connection A (ET)	Wall Covering		Article no.
RB KOMFORT	G 3/4" M	coated case, white	1	F11854



Dimensions

Type	Dimensions [mm]									
	B	C	D*	E*	F	G	H	I	J	K
RB KOMFORT	50	45	380	380	410	410	87,5	140	43	244

* Wall box


Tile Frame with Cover in White

PG = 736

Tile frame for KOMPAKT system regulation box, colour white similar to RAL 9016.

- Components made of plastic and steel



Type	Suitable for	Dimensions [mm]				Article no.
		A	B	C		
Tile Frame	KOMPAKT regulation box	335	310	2	1	F11853

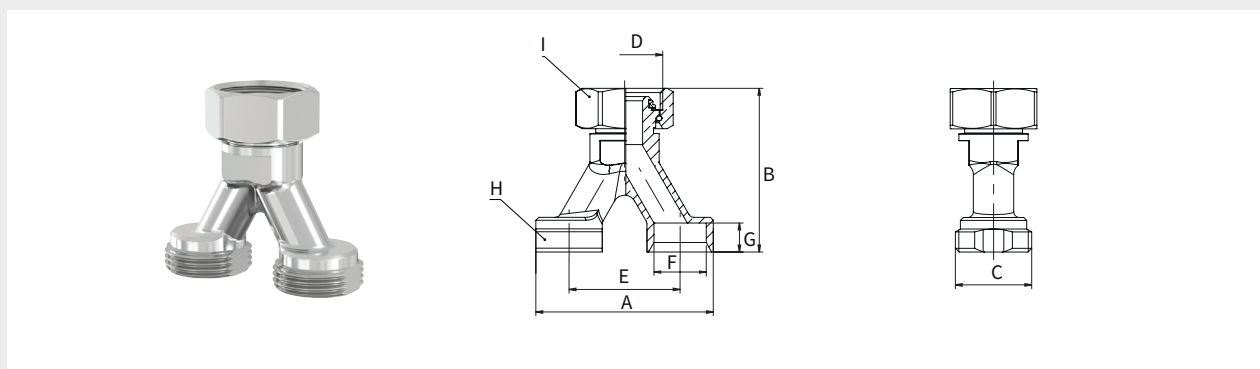



Connection Adapter Y-Piece

PG = 701

Connection adapter for extending the heating surface of the KOMFORT system regulation box, with union nut (wrench size 30 mm) and cone sealing, elastic seal, 38.5 mm axial distance at the manifold side, spanner flat 17 mm as assembling aid.

- Components made of nickel-plated brass
- Sealing materials: EPDM
- Max. operating temp.: 110 °C permanent temp., 130 °C short-term (the max. permissible supply flow temp. of the surface heating must be respected)
- Max. operating pressure: 10 bar



Type	Connection		Dimensions [mm]								Article no.
	C (ET)	D	A	B	E	F (Ø)	G	H (WS)	I (WS)		
Y-Piece	G 3/4" M	G 3/4" F	61.5	57	38.5	18.1	10	23	30	2 / 50	F10506



RTL-TH DIGITAL REGULATION BOX

Regulation box for **room temperature-dependent regulation of surface heating systems with adjustable return flow temperature limitation.** (setting range 10 - 50 °C)

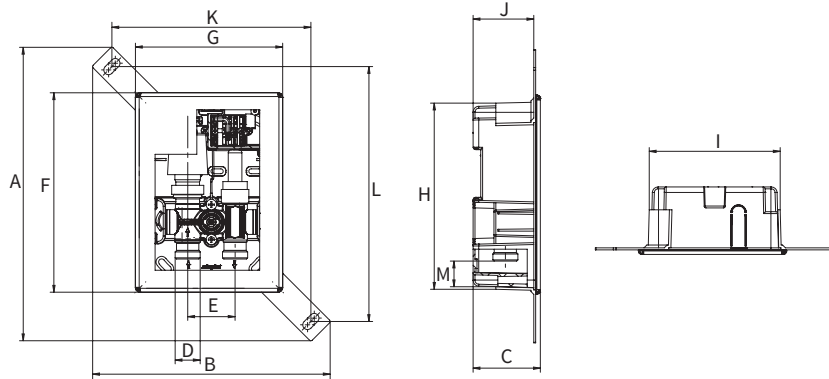
Features:

- Wall installation box with pre-mounted valve manifold with vent
- Valve module connection with G 3/4" M Euro taper for connection with compression adapters on the pipe side
- Protective cap in EPS
- White plastic wall cover (similar to RAL 9016)
- Fixing brackets for depth adjustment of the wall box
- Digital concealed room temperature controller, integrable into various switch series (frame DIN 49075, installation box DIN 49073), with week and day programmes, adjustable minimum and maximum return flow temperatures, display with white background illumination, max. 9 programmable switching times per day
- Topmeter for flow indication and regulation
- Electro-thermal actuator (230 V)
- "Easy-connect" plug-in connection for electrical connection
- Actuator and RTL sensor pre-installed and pre-wired
- Prepared for flexible installation in stud walls (installation set F11863)
- Can be combined with design covers
- Components made of brass and plastic
- Sealing materials: EPDM
- Max. primary operating temp.: 80 °C permanent temp., 95 °C short-term (the max. permissible supply flow temp. of the surface heating must be respected)
- Max. operating pressure: 6 bar



RTL-TH DIGITAL Regulation Box with Digital Room Temperature Controller

PG = 736



Type	Connection D (ET)	Wall Covering		Article no.
RB RTL-TH DIGITAL	G 3/4" M	plastic, white*	1	F11838

* similar to RAL 9016



Dimensions

Type	Dimensions [mm]											
	A	B	C	E	F	G	H*	I*	J	K	L	M
RB RTL-TH DIGITAL	310	250.5	71	50	210.5	155.5	197	138	64	210	270	27

* Wall box

RTL-TH BASIC REGULATION BOX

Regulation box for **room temperature-dependent regulation of surface heating systems with return flow temperature limitation 40 °C via integrated fixed value limit switch.**

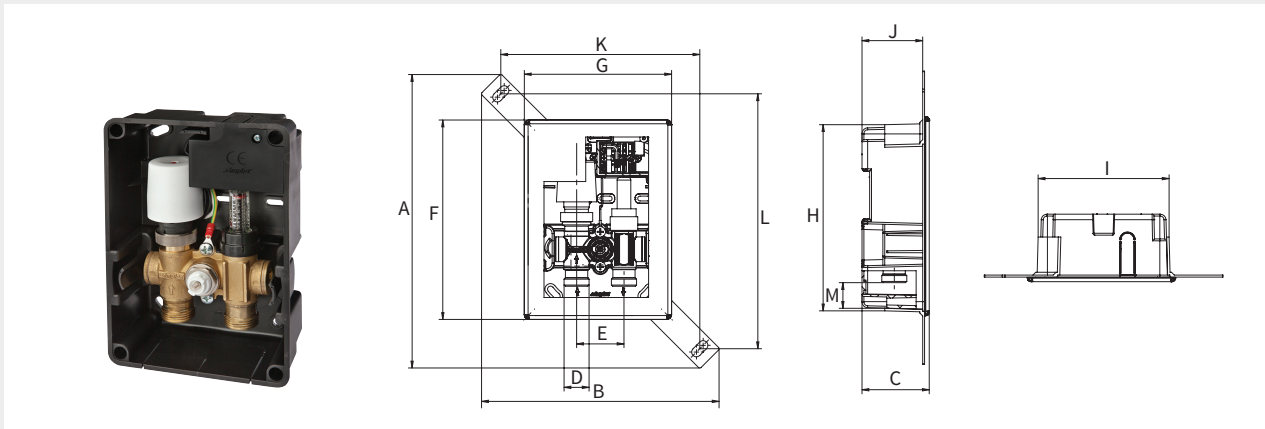
Operation by means of a room temperature controller (not included, please order separately).

Features:

- Wall installation box with pre-mounted valve manifold with vent
- Valve module connection with G 3/4" M Euro taper for connection with compression adapters on the pipe side
- Protective cap in EPS
- White plastic wall cover (similar to RAL 9016)
- Fixing brackets for depth adjustment of the wall box
- Topmeter for flow indication and regulation
- Electro-thermal actuator (230 V)
- "Easy-connect" plug-in connection for electrical connection
- Actuator pre-wired with fixed value limit switch
- Prepared for flexible installation in stud walls (installation set F11863)
- Can be combined with design covers
- Components made of brass and plastic
- Sealing materials: EPDM
- Max. primary operating temp.: 80 °C permanent temp., 95 °C short-term (the max. permissible supply flow temp. of the surface heating must be respected)
- Max. operating pressure: 6 bar



RTL-TH BASIC Regulation Box for On-site Room Temperature Controller PG = 736



Type	Connection D (ET)	Wall Covering		Article no.
RB RTL-TH BASIC	G 3/4" M	plastic, white*	1	F11836

* similar to RAL 9016



Dimensions

Type	Dimensions [mm]											
	A	B	C	E	F	G	H*	I*	J	K	L	M
RB RTL-TH BASIC	310	250.5	71	50	210.5	155.5	197	138	64	210	270	27

* Wall box

DUO REGULATION BOX

Regulation box for **room temperature-dependent regulation of surface heating systems with adjustable return flow temperature limitation.**

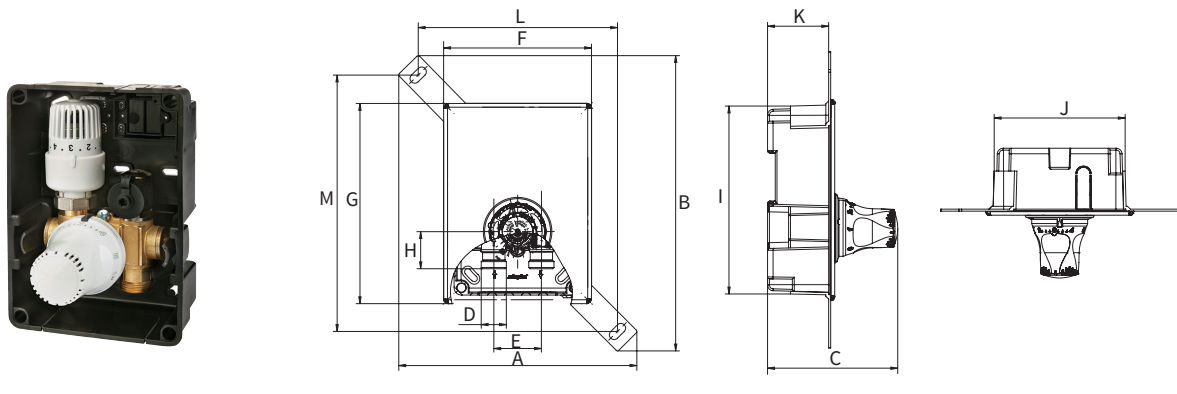
Features:

- Wall installation box with pre-mounted valve manifold with vent
- Valve module connection with G 3/4" M Euro taper for connection with compression adapters on the pipe side
- Protective cap in EPS
- White plastic wall cover (similar to RAL 9016)
- Fixing brackets for depth adjustment of the wall box
- Prepared for flexible installation in stud walls (installation set F11863)
- Fill and drain valve
- External thermostatic head for room temperature setting
- Thermostatic valve with presetting
- Internal RTL head for return flow temperature limitation
- Components made of brass and plastic
- Sealing materials: EPDM
- Max. primary operating temp.: 80 °C permanent temp., 95 °C short-term (the max. permissible supply flow temp. of the surface heating must be respected)
- Max. operating pressure: 6 bar



DUO Regulation Box

PG = 736



Type	Connection D (ET)	Wall Covering		Article no.
RB RTL-TH DUO	G 3/4" M	plastic, white*	1	F11879

* similar to RAL 9016



Dimensions

Type	Dimensions [mm]											
	A	B	C	E	F	G	H	I*	J*	K	L	M
RB RTL-TH DUO	250.5	310	136	50	155.5	210.5	39	197	137.5	64	210	270

* Wall box

RTL-I REGULATION BOXES

Regulation box for **return flow temperature-dependent regulation** of surface heating systems.

Basic features:

- Wall installation box with pre-mounted valve manifold with vent
- Valve module connection with G 3/4" M Euro taper for connection with compression adapters on the pipe side
- Internal RTL head
- Protective cap in EPS
- White plastic wall cover (similar to RAL 9016)
- Fixing brackets for depth adjustment of the wall box
- Prepared for flexible installation in stud walls (installation set F11863)
- Can be combined with design covers



STANDARD version additional with:

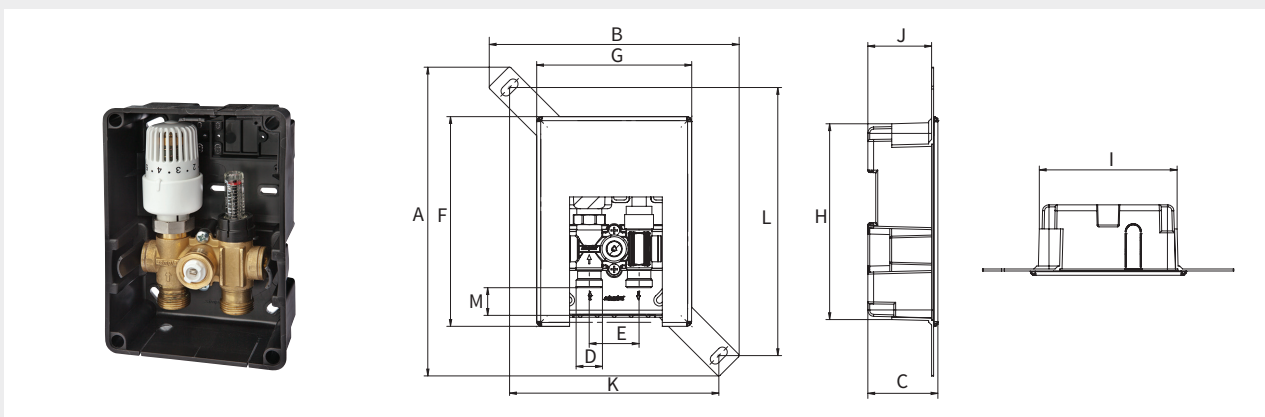
- Fill and drain valve


EXCLUSIV version additional with:

- Topmeter for flow indication and regulation
- Safety temperature switch

- Components made of brass and plastic
- Sealing materials: EPDM
- Max. primary operating temp.: 80 °C permanent temp., 95 °C short-term (the max. permissible supply flow temp. of the surface heating must be respected)
- Max. operating pressure: 6 bar

RTL-I Regulation Box with Internal Thermostatic Valve PG = 736



Type	Connection D (ET)	Wall Covering		Article no.
RB RTL-I STANDARD	G 3/4" M	plastic, white*	1	F11831
RB RTL-I EXCLUSIV	G 3/4" M	plastic, white*	1	F11832

* similar to RAL 9016



Dimensions

Type	Dimensions [mm]											
	A	B	C	E	F	G	H*	I*	J	K	L	M
RB RTL-I STANDARD	310	250.5	70.3	50	210.5	155.5	197	138	64	210	270	27
RB RTL-I EXCLUSIV	310	250.5	70.3	50	210.5	155.5	197	138	64	210	270	27

* Wall box

RTL-A REGULATION BOXES

Regulation box for **return flow temperature-dependent regulation** of surface heating systems.

Basic features:

- Wall installation box with pre-mounted valve manifold with vent
- Valve module connection with G 3/4" M Euro taper for connection with compression adapters on the pipe side
- External RTL head
- Fill and drain valve
- Protective cap in EPS
- White plastic wall cover (similar to RAL 9016)
- Fixing brackets for depth adjustment of the wall box
- Prepared for flexible installation in stud walls (installation set F11863)

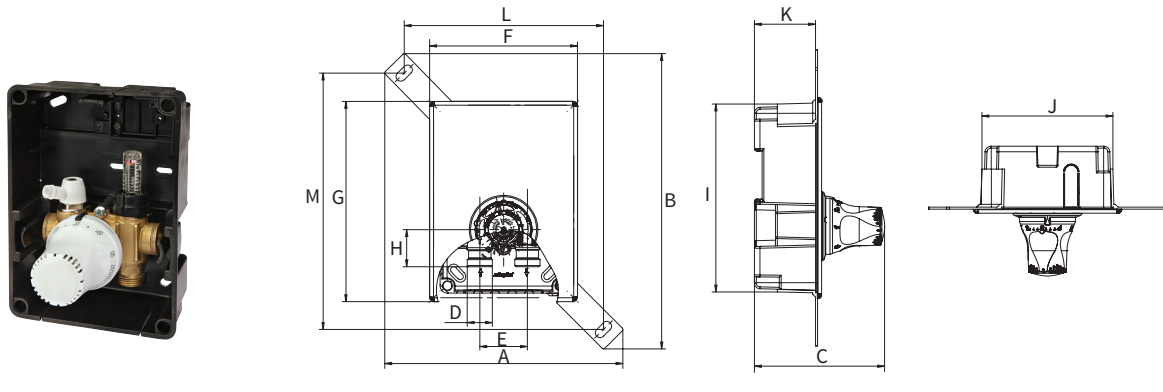


EXCLUSIV version additional with:

- Topmeter for flow indication and regulation
- Safety temperature switch
- Components made of brass and plastic
- Sealing materials: EPDM
- Max. primary operating temp.: 80 °C permanent temp., 95 °C short-term (the max. permissible supply flow temp. of the surface heating must be respected)
- Max. operating pressure: 6 bar

RTL-A Regulation Box with External Thermostatic Valve

PG = 736



Type	Connection D (ET)	Wall Covering		Article no.
RB RTL-A STANDARD	G 3/4" M	plastic, white*	1	F11828
RB RTL-A EXCLUSIV	G 3/4" M	plastic, white*	1	F11829

* similar to RAL 9016



Dimensions

Type	Dimensions [mm]											
	A	B	C	E	F	G	H	I*	J*	K	L	M
RB RTL-A STANDARD	250.5	310	136	50	155.5	210.5	39	197	137.5	64	210	270
RB RTL-A EXCLUSIV	250.5	310	136	50	155.5	210.5	39	197	137.5	64	210	270

* Wall box

TH REGULATION BOXES

Regulation box for **room temperature-dependent regulation** of surface heating systems.

Basic features:

- Wall installation box with pre-mounted valve manifold with vent
- Valve module connection with G 3/4" M Euro taper for connection with compression adapters on the pipe side
- External thermostatic head
- Fill and drain valve
- Protective cap in EPS
- White plastic wall cover (similar to RAL 9016)
- Fixing brackets for depth adjustment of the wall box
- Prepared for flexible installation in stud walls (installation set F11863)

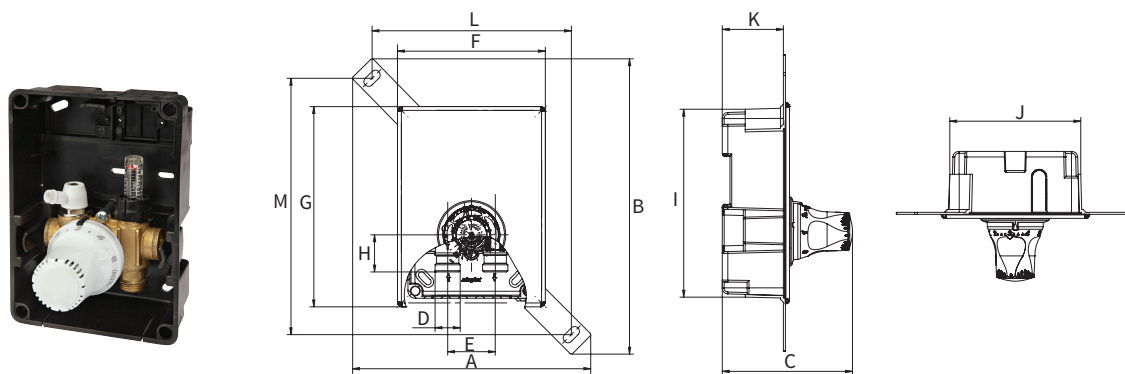



EXCLUSIV version additional with:

- Topmeter for flow indication and regulation
- Components made of brass and plastic
- Sealing materials: EPDM
- Max. primary operating temp.: 80 °C permanent temp., 95 °C short-term (the max. permissible supply flow temp. of the surface heating must be respected)
- Max. operating pressure: 6 bar

TH Regulation Box with External Thermostatic Valve

PG = 736



Type	Connection D (ET)	Wall Covering		Article no.
RB TH STANDARD	G 3/4" M	plastic, white*	1	F11848
RB TH EXCLUSIV	G 3/4" M	plastic, white*	1	F11849

* similar to RAL 9016



Dimensions

Type	Dimensions [mm]											
	A	B	C	E	F	G	H	I*	J*	K	L	M
RB TH STANDARD	250.5	310	136	50	155.5	210.5	39	197	137.5	64	210	270
RB TH EXCLUSIV	250.5	310	136	50	155.5	210.5	39	197	137.5	64	210	270

* Wall box

REGULATION BOX ACCESSORIES

Installation Set

PG = 736

Set for installing Simplex regulation boxes in panel walls.

- Components made of galvanised steel



Type	Profile Center distance [mm]		Article no.
Installation Set RB	max. 625	1	F11863




Valve Extension for RTL-A Regulation Box

PG = 736

Valve extension for Simplex regulation boxes F11828 and F11829.

- Components made of brass



Type	Dimension [mm]		Article no.
Valve Extension RB - RTL	17	1 / 10	F11844




Valve Extension for TH Regulation Box

PG = 736

Valve extension for Simplex TH regulation boxes.

- Components made of brass



Type	Dimension [mm]		Article no.
Valve Extension RB - TH	13	1 / 10	F11872




Design Cover, Glass

PG = 720

Cover for cladding Simplex regulation boxes with closed cover and internal head, polished safety glass, white ceramic print, with mounting bands.

- Components made of safety glass



Type	Version		Article no.
Cover Glass - oval	oval	1 / 10	F11819
Cover Glass - square	square	1 / 10	F11820




Design Cover, High-gloss Chrome-plated

PG = 720



Cover for cladding Simplex regulation boxes with closed cover and internal head, high-gloss chrome-plated, with mounting bands for cladding.

- Components made of plastic

Type	Version		Article no.
Cover Plastic	chrome	1 / 10	F11821



Universal Cover for Wall Coverings

PG = 720



Cover for cladding Simplex regulation boxes with closed cover and internal head, consisting of base frame with magnetic bracket and galvanised cover, general purpose.

- Components made of plastic and galvanised steel

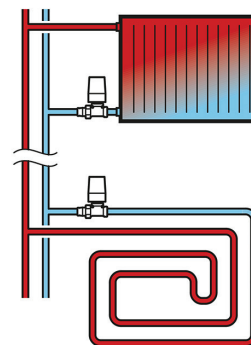
Type	Version		Article no.
Universal Cover	zink-plated	1 / 10	F11822



RTL VALVES

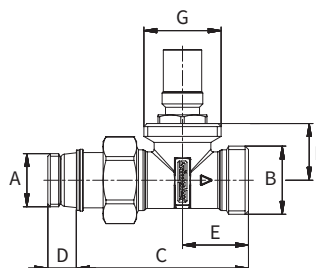
Return flow temperature limiter for the regulation of radiators or surface heating systems, self-sealing with special thread seal.

- Components made of nickel-plated brass, RTL head made of plastic
- Sealing materials: EPDM
- Max. operating temp.: 110 °C permanent temperature, 130 °C short-term
- Max. operating pressure: 10 bar



RTL Valve Base Type D/AG

PG = 736

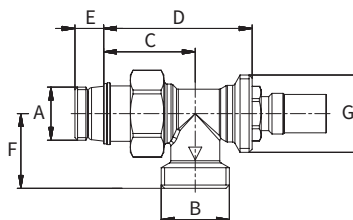


Type	Version	Connection		Dimensions [mm]						Article no.
		A	B (ET)	C	D	E	F	G		
RTL Valve Base D	straight	G 1/2" M	G 3/4" M	67	11	26	22	M 30 x 1.5	5	F11888



RTL Valve Base Type E/AG

PG = 736



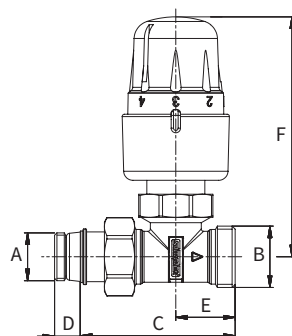
Type	Version	Connection		Dimensions [mm]						Article no.
		A	B (ET)	C	D	E	F	G		
RTL Valve Base E	angle	G 1/2" M	G 3/4" M	36	58	11	29	M 30 x 1.5	5	F11889




RTL Valve Type D/AG

PG = 736

4

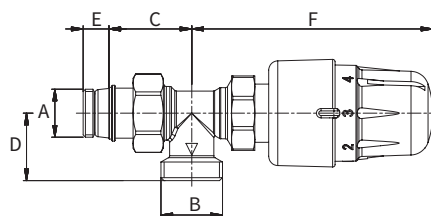



Type	Version	Connection		Dimensions [mm]					Article no.
		A	B (ET)	C	D	E	F		
RTL Valve D	straight	G 1/2" M	G 3/4" M	67	11	26	104	2	F11882



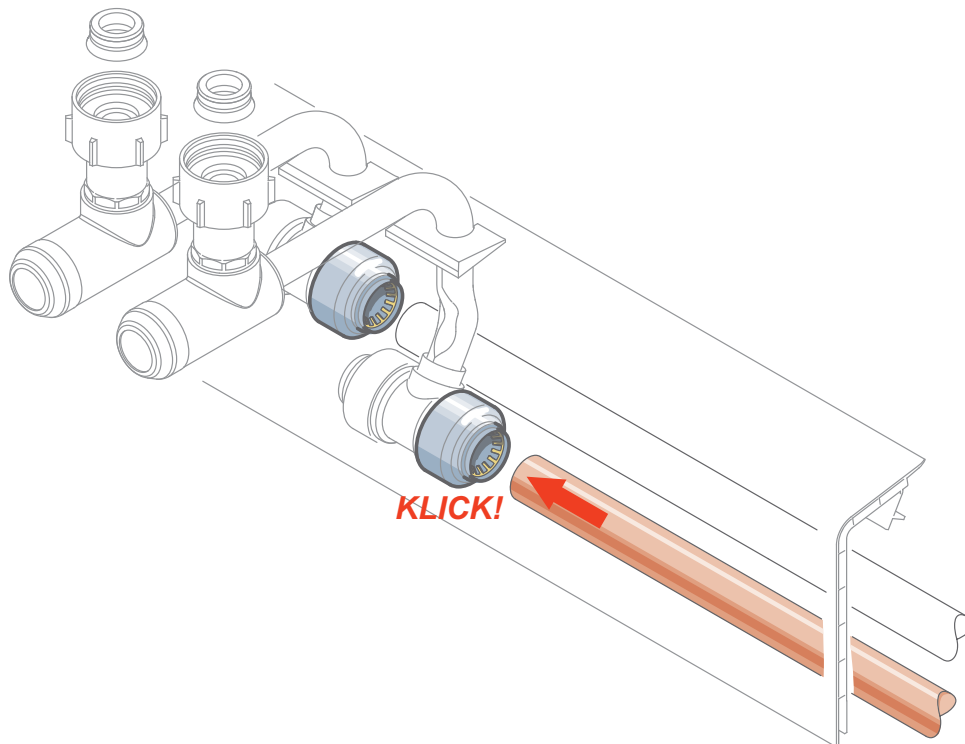
RTL Valve Type E/AG

PG = 736



Type	Version	Connection		Dimensions [mm]					Article no.
		A	B (ET)	C	D	E	F		
RTL Valve E	angle	G 1/2" M	G 3/4" M	36	29	11	104	2	F11883





VK 31 Connection Kit with TECTITE Push-fit Connection: direct insertion of connecting pipe using TECTITE push-fit connection without tools