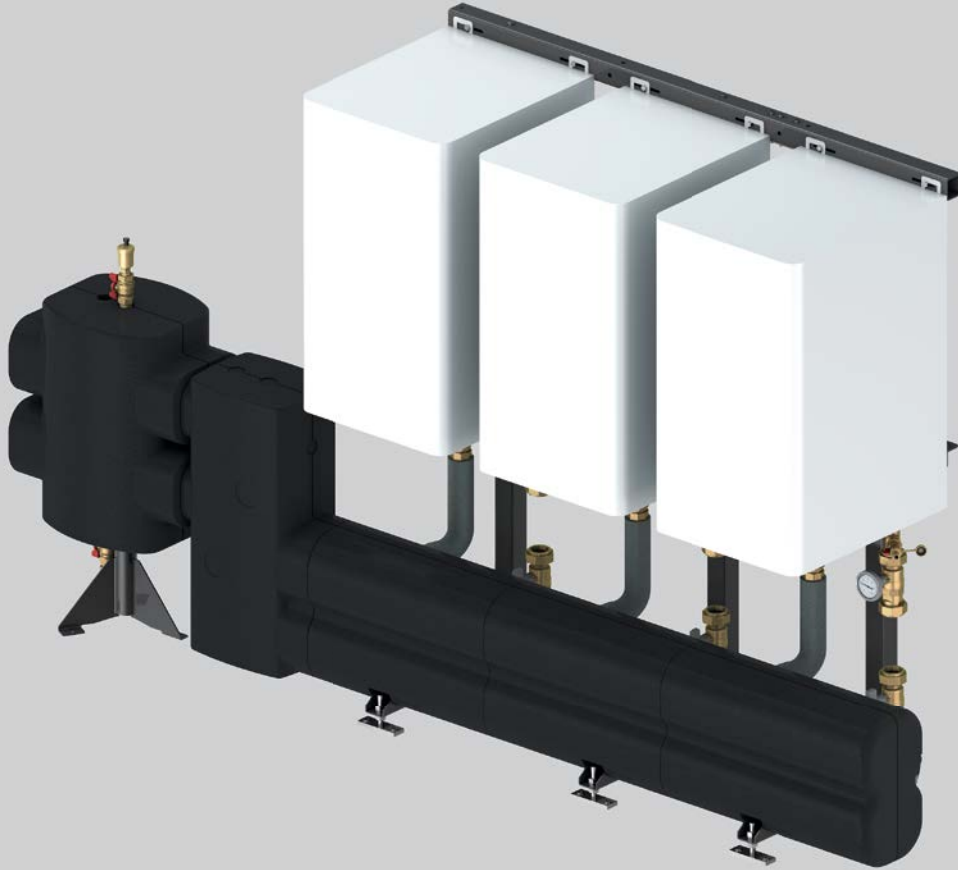


Universal cascade

For wall-mounted boilers
with up to 280 kW total power



certified according to DIN EN ISO 9001: 2008

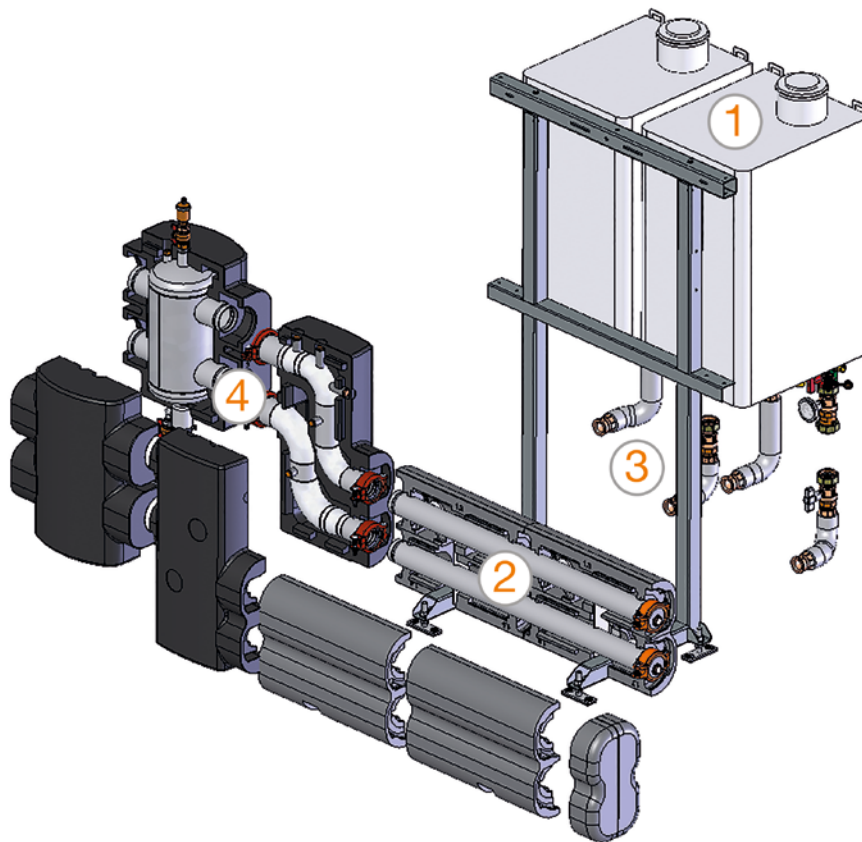
- pre-assembled, thermally insulated unit incl. installation frame
- quick to design and install thanks to its modular construction
- flexible connector sets compatible with all conventional wall-mounted boilers
- can be combined with a boiler guard (as a union to the heat distribution system)



*The solution for
professionals*

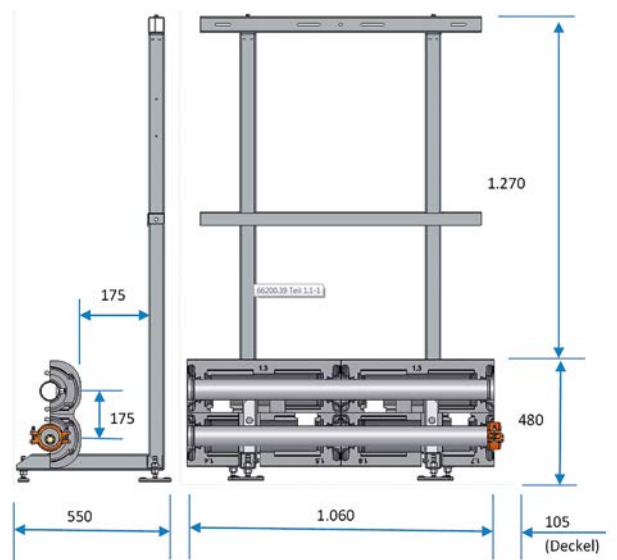
meibes

Universal cascade



Installation frame for securing the heaters

- ① Installation in a frame allows the boiler to be placed anywhere in a room. A solid wall is not necessary, and other components can still be installed on the walls. The frames are designed for 1 or 2 heaters, each up to 580 mm wide and each weighing 100 kg.



Distribution and collection lines in DN65

- ② The supply lines come together in the upper pipe of the universal cascade and the return line is distributed across the heat generator. The hydraulic connection is formed with Victaulic clamps.



During installation, the pipes are pushed together and the Victaulic coupling is placed around the pipes in such a way that it lies in the beading of the pipe ends.

Universal cascade

Connector sets for heaters

- ③ There are three optional sets to choose from. The various models take into consideration whether the heater to be connected has an internal pump, and whether it already includes shut-offs and safety devices.

The upper connections to the heater have 1½" union nuts with attached reductions to 1¼". The connector sets are thus suitable for both smaller and powerful heat generators.



The connector sets come with insulated VA corrugated pipes DN32. The set comprises the unions needed for the connector set (ball valve with 1¼" female thread), and for the distribution and collection line (Victaulic union DN40 x 2" male thread).

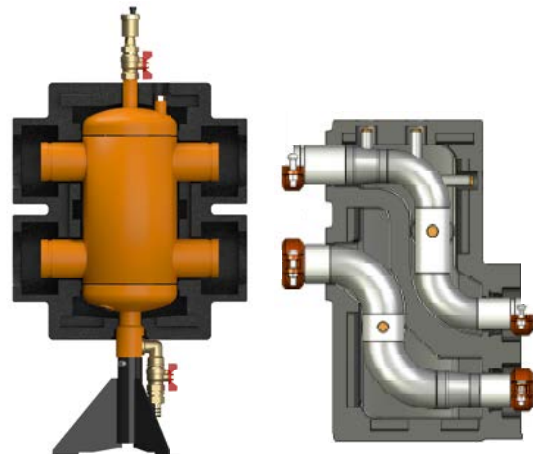
Corrugated pipe DN32 (in lengths of 0.7 and 1.0m) that can be shortened, with FixLock screw fitting for flexible, quick and reliable connection – independent of the construction height or the hydraulic configuration.

Heating circuit connection

- ④ The connection to the heating circuit can be on the right or left as required.

The boiler guard contains a hydraulic diverter. It also minimises system faults thanks to integrated gas, sludge and magnetite separators.

The boiler guard is connected via a Z-shaped connector set that compensates for the various heights of the universal cascade.



The universal cascade can also be connected directly to the heating circuit. Suitable unions of Victaulic DN 65 with thread-, flange- and welded-end are available.



Universal cascade

Simple configuration of the desired universal cascade

1. Modules according to the number of heaters

Heaters	Description	Required modules	Width
2	Standard module with end cap	1x 66451.37	1.06 m
3	Standard module and extension with 1 heater	1x 66451.37 and 1x 66451.38	1.64 m
4	2x standard module	2x 66451.37	2.12 m
5	2x standard module and extension with 1 heater	2x 66451.37 and 1x 66451.38	2.70 m



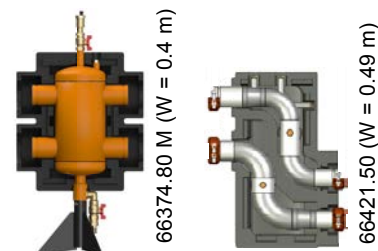
2. Choice of connector sets

Description of the heater	Connector set
- without internal pump - without safety devices	66362.35
- with internal pump - without safety devices	66362.36
- without internal pump - with safety devices	66362.37
Connector set with VA corrugated pipe (1x required per connector set)	66362.33



Boiler guard (hydraulic diverter) + connection

Because of the installation parts for the gas and sludge separation, the boiler guard with DN80 is the right choice for cascades up to 280 kW in power. The connector set includes the Victaulic clamps.



3. Heating circuits

Large manifolds simplify the installation of several DN25 to DN65 heating circuit groups. Connection is equally simple with Victaulic clamps DN80 (Art.-No. 66259. 532).



There is a compatible union with thread-, flange- and welded-end available for both the connection to the DN80 boiler guard and the DN65 module.

