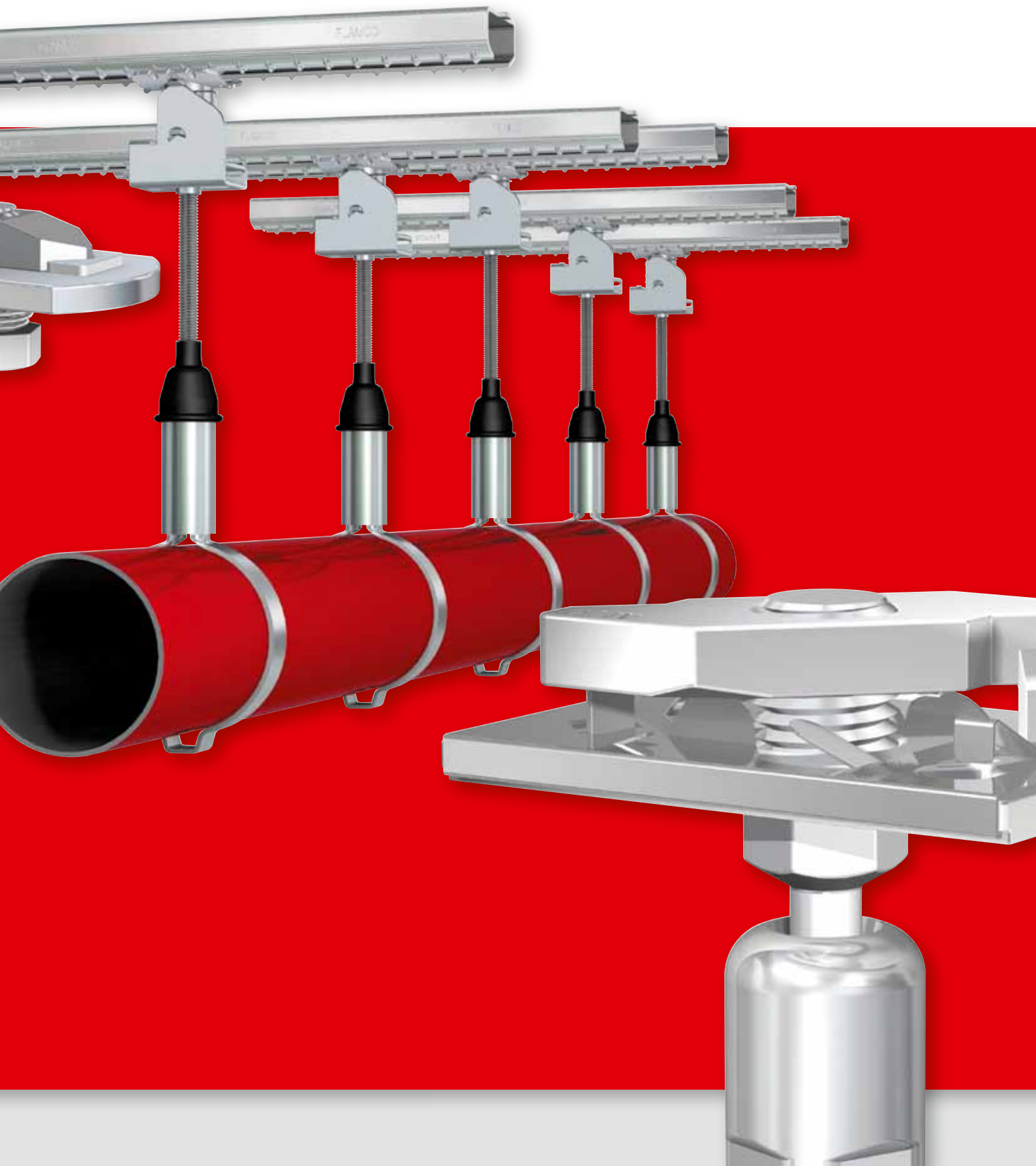


13.

FSS Flamco Smart System

Accurately suspending pipes from the ceiling is a common problem, but not if you use the Flamco Smart System. Setting the pipe clips, and therefore the pipes, to the right distance is very simple.

The Smart System is especially suited to 'uneven' ceilings. Only the first and last pipe clips need to be set to the exact height and distance from the ceiling. The brackets in between will adjust to the correct height automatically. In addition, the rails need not be cut as they are produced in a number of standard lengths.



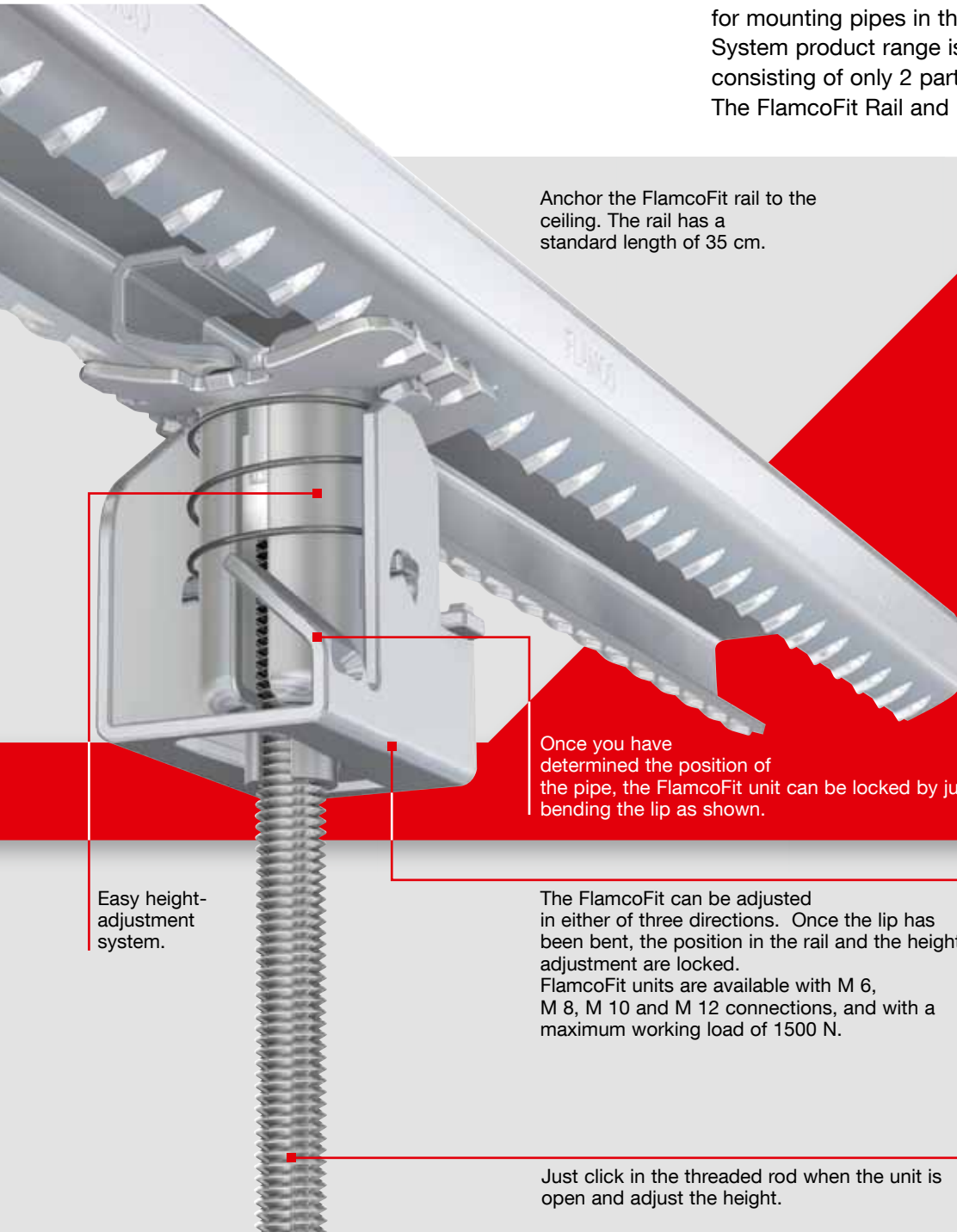
The Flamco Smart System Saves Time and Ensures Perfect Results

Hanging pipes from the ceiling is not the easiest of jobs. For instance, one needs a lot of separate products, all of which are subject to gravity. If the ceiling is uneven, you can have a tough time positioning the clips and pipes at the correct distance from the ceiling.

But why continue making it difficult for yourself? The solution is within reach! It is called the FSS Flamco Smart System.

The FSS Flagship: FlamcoFit

The fastest, all-in-one solution for mounting pipes in the Flamco Smart System product range is the FlamcoFit, consisting of only 2 parts to do the job: The FlamcoFit Rail and FlamcoFit Unit.



Anchor the FlamcoFit rail to the ceiling. The rail has a standard length of 35 cm.



1. In almost all cases, the rail is strong enough to be fitted with just a single fixing point in the centre. More than one pipe can be attached to the rail.

Once you have determined the position of the pipe, the FlamcoFit unit can be locked by just bending the lip as shown.

Easy height-adjustment system.

The FlamcoFit can be adjusted in either of three directions. Once the lip has been bent, the position in the rail and the height adjustment are locked. FlamcoFit units are available with M 6, M 8, M 10 and M 12 connections, and with a maximum working load of 1500 N.

Just click in the threaded rod when the unit is open and adjust the height.

FlamcoFit Advantages

- Considerable time savings.
- Particularly useful for uneven ceilings.
- Each individual hanger adjusts itself to the pipe's proper position.
- It is no longer necessary to deburr and turn in threaded rods. The threaded rod can just be clicked into the FlamcoFit unit.
- No more separate parts: Everything is intergrated in the FlamcoFit unit.
- Fixed rail length: no need to saw the unit to length.
- The special construction means that FlamcoFit rails can be fitted seamlessly together.
- Electrolytically galvanized.



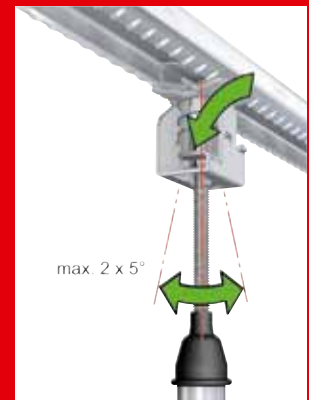
2. Fit the FlamcoFit unit into the rail and twist it into position. The unit cannot now fall out of the rail.



3. Insert the threaded rod into the unit and slide the unit to the desired position. Until the unit is locked by bending the lip, it can be moved freely and the distance from the ceiling can be adjusted.



4. Lock the unit. The unit's position in the rail and the pipe's distance from the ceiling is now locked.



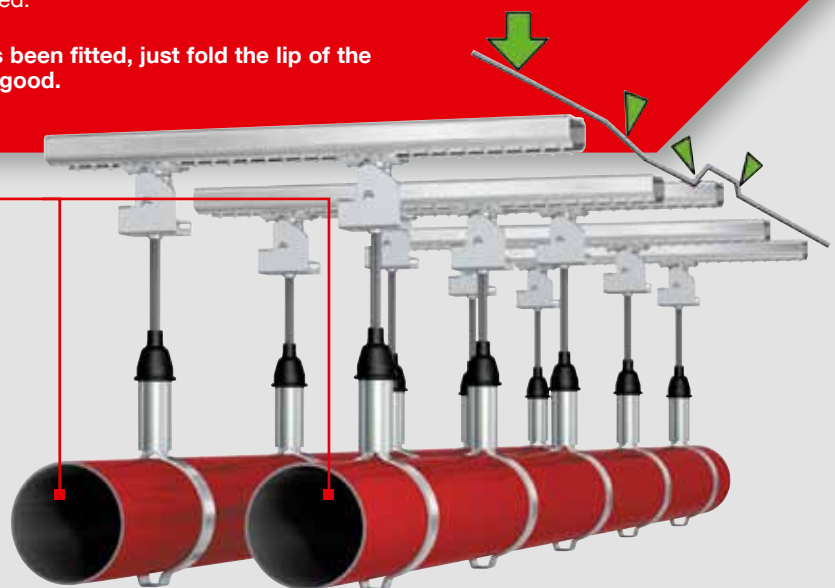
5. The FlamcoFit unit has an axial clearance of 5°.

Once the clips are in the right position and the pipe has been fitted, just fold the lip of the unit over. The unit and the pipe clip are now locked for good.

Two pipes hanging from the FlamcoFit rail? No problem.

Even with uneven ceilings, the clips can be hung at the precise distance thanks to FlamcoFit.

Only the first and last hangers must be set to the exact distance from the ceiling. The clips in between will automatically adjust to the correct distance from the ceiling, so that you can be sure that the pipe is hanging in the right position.



With FSS Flamco Offers a Range of Products to Simplify Every Installation

Apart from the FlamcoFit rail and the unit, the FSS Flamco Smart System can also offer you a comprehensive range of other smart 'click' products. Each one has the same ingenious construction and choice of materials and is finished to perfection. This range offers you multiple areas of application.

Flamco really does make it easier, and enables the installer to save a lot of time. The more you install, the more you save! All our products are made with the proven Flamco attention to detail, so you know you can always rely on Flamco accessories.

FSS ClickFit

For use with the Flamco Rail R, fitted either horizontally or vertically. With a stop function to prevent it turning back so that the FSS ClickFit cannot fall out of the rail. Then, just slide it into the correct position on the rail. The right-angled shape of the FSS ClickFit offers you the possibility of visually checking whether the FSS ClickFit has been fitted correctly. Made entirely of steel.

FSS ClickEasy

Easy to fit. Just press the FSS ClickEasy onto the Flamco rail R and twist clockwise 45°. Stop function to prevent it turning back, hence the FSS ClickEasy cannot fall out of the rail. No loose parts, so the installation time is minimal. All variations are available with either M 6, M 8 or M 10 connection. Both the FSS ClickFit and the FSS ClickEasy will stay in place, even if they are fitted to a vertical rail. FSS ClickFit and FSS ClickEasy are suitable for Flamco rails R 0 - R 8.



FSS
CLICEASY M



FSS
CLICEASY HBS



FSS
CLICEASY K



FSS
CLICKFIT M



FSS
CLICKFIT HBS



FSS
CLICKFIT K



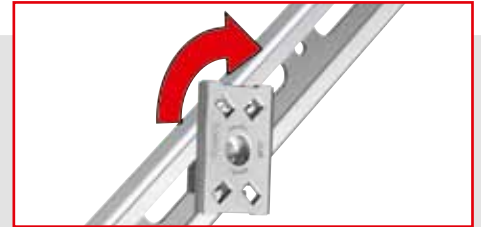
FSS CLICK-
CONNECTION X



Fitting the ClickFit



Slide the ClickFit into the Flamco R-rails.



Turn the ClickFit 45°.



You will hear the click. Now it is locked in place and cannot fall out.



Slide the ClickFit into the desired position. Secure it and - that's all there is to it!

FSS ClickConnection

A series of products to connect Flamco R-rails together: horizontally, vertically, at an angle, layered or on the wall. Suitable for various Flamco R-rails. Easy to install: just slide the FSS ClickConnection into the Flamco R-rails and twist the ClickConnection 45°. No loose parts means quick installation.

FSS Click-In BSA and GP Backplate

Both products are available with M8 or M10 thread gauges. The FSS Click-In BSA is available from 1/4" - 2". Thanks to the twist-lock system, the threaded rod no longer needs to be deburred. The right position is obtained by turning the clip. All models are electrolytically galvanized.



FSS CLICK-CONNECTION 45



FSS CLICK-CONNECTION L



FSS CLICK-CONNECTION 90



FSS CLICK-CONNECTION RZ-V



FSS CLICK-CONNECTION RZ-H



FSS CLICK-IN BSA



FSS CLICK-IN GP



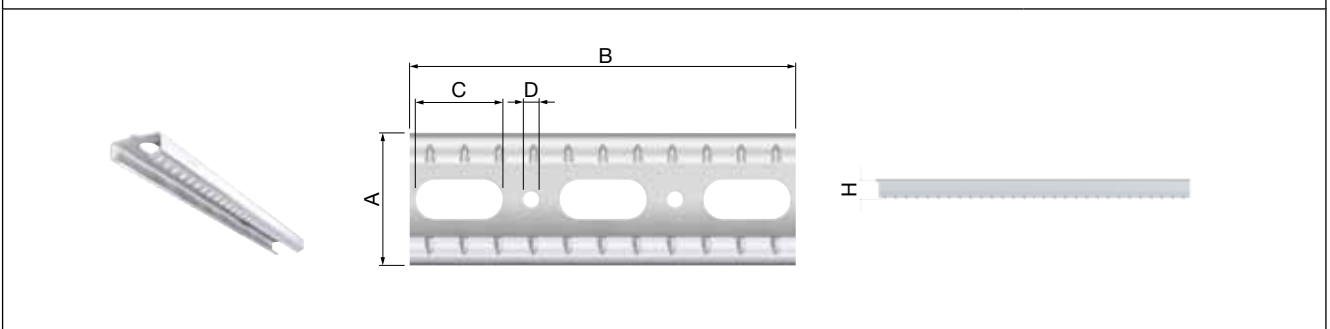
FLAMCOFIT

Completely new pipe mounting system for irregular ceilings without deburring and turning threaded rods.

Product features:

- Parts like sliding nut, check nut, clamping plate and ball-hanger integrated into one unit.
- Rail mounting with just one anchor bolt.
- Rail needs no sawing.
- Deburring of threaded rods not needed.
- No loose parts like studs, washers and nuts.
- Adjustable in height.
- Electrolytically zinc plated.
- Fire resistant.

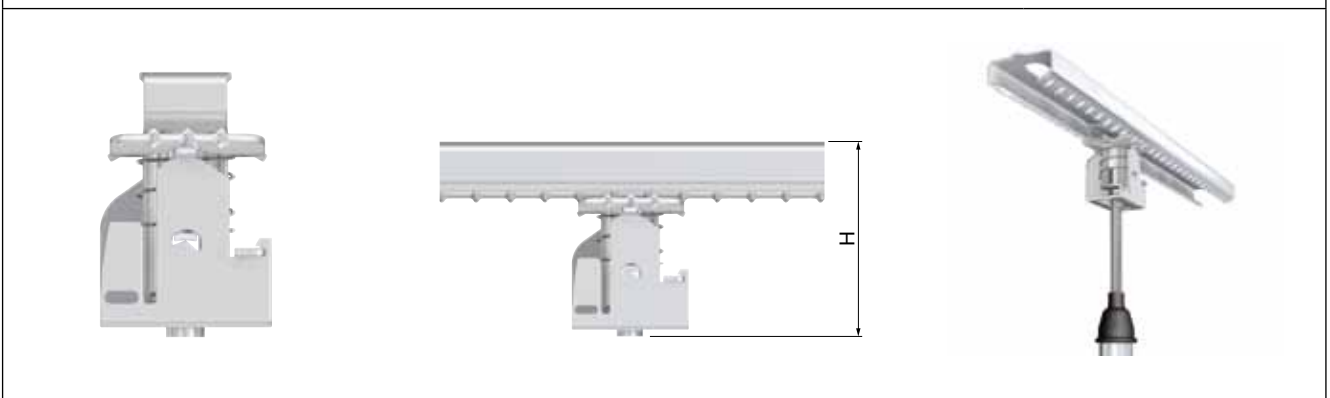
FlamcoFit Rail



Type	Dimensions						Order Code
	A [mm]	B [mm]	H [mm]	C [mm]	D [mm]		
FlamcoFit Rail	46	350	20	13.5 x 30	5.3	25	50710

FlamcoFit Unit

- Safety load (N) = 3.
- Suitable for thread in accordance with ISO 965-2.



Type	Connection	Max. working load [N]	Dimension H [mm]		Order Code
FlamcoFit Unit M 6	M 6	1200	70	25	50700
FlamcoFit Unit M 8	M 8	1200	70	25	50701
FlamcoFit Unit M 10	M 10	1200	70	25	50702
FlamcoFit Unit M 12	M 12	1200	70	25	50703

CLICK-IN

For quick mounting of clips or back plates.

Product features:

- Electrolytically zinc plated.
- Suitable for thread in accordance with ISO 965-2.

BSA M 8 Click-In

- Details of clip: - see standard BSA clip.
- Deburring of threaded rod is not necessary.
- Reduced installation time.
- The correct position can be set by turning the clip.
- Safety load (V) = 3.



Type	Ø Pipe		Max. working load [N]	Strip dimensions [mm]		Order Code
	Nom. ["]	Ext. dia. [mm]				
BSA Click-In 12 - 13.5	1/4"	12 - 13.5	600	25 / 1.75	100	39170
BSA Click-In 14 - 16	-	14 - 16	600	25 / 1.75	100	39171
BSA Click-In 17 - 19	3/8"	17 - 19	600	25 / 1.75	100	39172
BSA Click-In 20 - 24	1/2"	20 - 24	600	25 / 1.75	100	39173
BSA Click-In 25 - 28	3/4"	25 - 28	600	25 / 1.75	100	39174
BSA Click-In 29 - 33	-	29 - 33	600	25 / 1.75	100	39175
BSA Click-In 33 - 37	1"	33 - 37	600	25 / 1.75	100	39176
BSA Click-In 38 - 42	1 1/4"	38 - 42	600	25 / 1.75	100	39177
BSA Click-In 44.5 - 49	1 1/2"	44.5 - 49	600	25 / 1.75	50	39178
BSA Click-In 50 - 54	-	50 - 54	600	25 / 1.75	50	39179
BSA Click-In 56 - 60	2"	56 - 60	600	25 / 1.75	50	39180

BSA M 10 Click-In

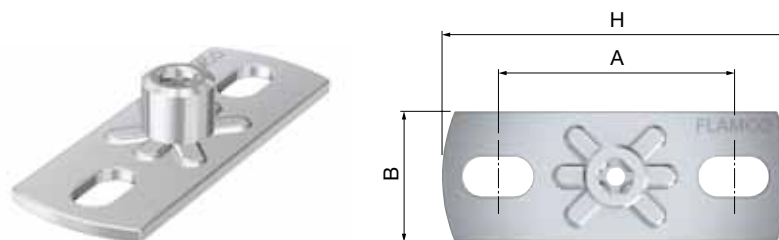
- Safety load (V) = 3.



Type	Ø Pipe		Max. working load [N]	Strip dimensions [mm]		Order Code
	Nom. ["]	Ext. dia. [mm]				
BSA Click-In 12 - 13.5	1/4"	12 - 13.5	600	25 / 1.75	100	39370
BSA Click-In 14 - 16	-	14 - 16	600	25 / 1.75	100	39371
BSA Click-In 17 - 19	3/8"	17 - 19	600	25 / 1.75	100	39372
BSA Click-In 20 - 24	1/2"	20 - 24	600	25 / 1.75	100	39373
BSA Click-In 25 - 28	3/4"	25 - 28	600	25 / 1.75	100	39374
BSA Click-In 29 - 33	-	29 - 33	600	25 / 1.75	100	39375
BSA Click-In 33 - 37	1"	33 - 37	600	25 / 1.75	100	39376
BSA Click-In 38 - 42	1 1/4"	38 - 42	600	25 / 1.75	100	39377
BSA Click-In 44.5 - 49	1 1/2"	44.5 - 49	600	25 / 1.75	50	39378
BSA Click-In 50 - 54	-	50 - 54	600	25 / 1.75	50	39379
BSA Click-In 56 - 60	2"	56 - 60	600	25 / 1.75	50	39380

GP Click-In

- Safety load (V) = 3.



Type	Connection	Max. working load [N]	Max. torque [Ncm]	Dimensions				Order Code
				A [mm]	B [mm]	H [mm]		
GP Click-In M 8	M 8	600	1250	54	30	80	50	39400
GP Click-In M 10	M 10	600	1500	54	30	80	50	39402



CLICKFIT

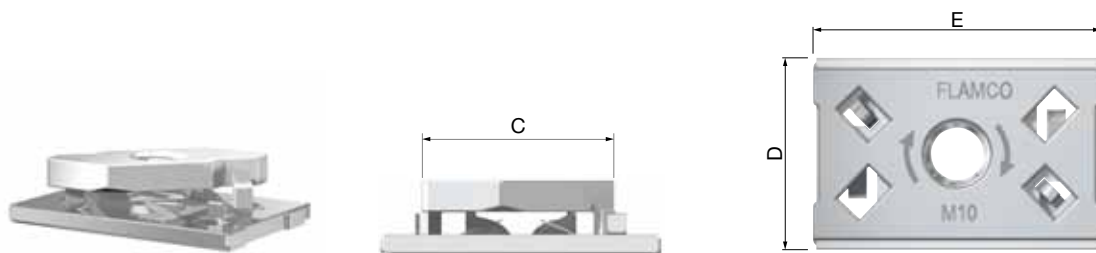
For quick mounting of rail nut, hammer head bolts and sets.

Product features:

- Easy mounting by pushing and turning the unit in the rail 45° clockwise.
- No-return stop.
- Reduced installation time.
- No loose parts like studs, washers and nuts.
- Electrolytically zinc plated.
- Fire resistant (no plastic).
- Suitable for thread in accordance with ISO 965-2.

ClickFit M

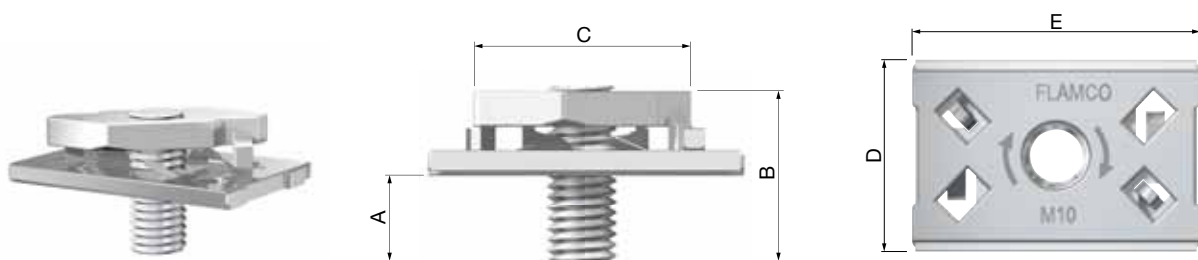
- Safety load (V) = 3.



Type	Connection	Max. working load [N]	Max. tightening torque [Nm]	Rail nut [mm]	Locking plate D x E [mm]		Order Code
ClickFit M 6	M 6	2100	10	39 x 13.8	30 x 45	100	80306
ClickFit M 8	M 8	2100	15	39 x 13.8	30 x 45	100	80307
ClickFit M 10	M 10	2100	15	39 x 13.8	30 x 45	100	80308

ClickFit HB

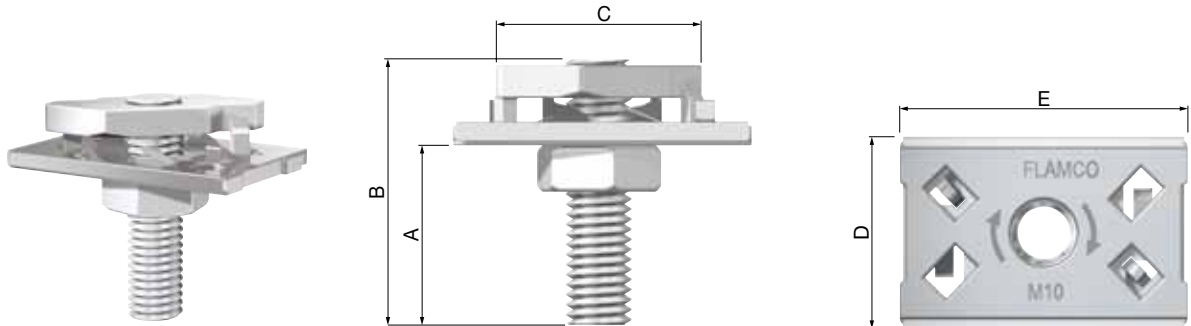
- Safety load (V) = 3.



Type	Con- nection	Max. working load [N]	Max. tightening torque [Nm]	Rail nut C [mm]	Locking plate D x E [mm]	Threaded rod	Dimensions			Order Code
							A [mm]	B [mm]		
ClickFit HB 6	M 6	2100	10	39 x 13.8	30 x 45	M 6 x 20	8	20	50	80330
ClickFit HB 8	M 8	2100	15	39 x 13.8	30 x 45	M 8 x 20	8	20	50	80331
ClickFit HB 10	M 10	2100	15	39 x 13.8	30 x 45	M 10 x 20	8	20	50	80332

ClickFit HBS

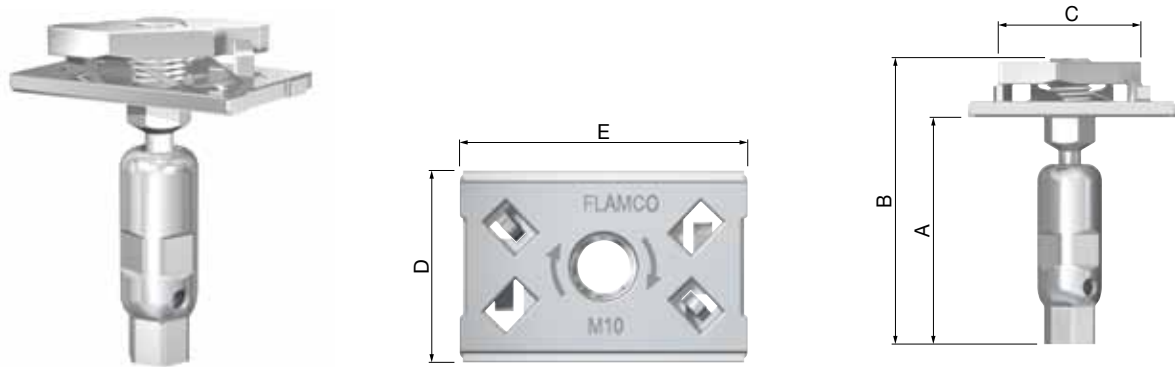
- Safety load (V) = 3.



Type	Connection	Max. working load [N]	Max. tightening torque [Nm]	Rail nut E [mm]	Locking plate D x E [mm]	Threaded rod	Dimensions			Order Code
							A [mm]	B [mm]		
ClickFit HBS 6 x 25	M 6	2100	10	39 x 13.8	30 x 45	M 6 x 25	13	25	50	80340
ClickFit HBS 6 x 30	M 6	2100	10	39 x 13.8	30 x 45	M 6 x 30	18	30	50	80341
ClickFit HBS 6 x 40	M 6	2100	10	39 x 13.8	30 x 45	M 6 x 40	28	40	50	80342
ClickFit HBS 6 x 50	M 6	2100	10	39 x 13.8	30 x 45	M 6 x 50	38	50	50	80343
ClickFit HBS 8 x 25	M 8 x 25	2100	15	39 x 13.8	30 x 45	M 8 x 25	13	25	50	80344
ClickFit HBS 8 x 30	M 8 x 30	2100	15	39 x 13.8	30 x 45	M 8 x 30	18	30	50	80345
ClickFit HBS 8 x 40	M 8 x 40	2100	15	39 x 13.8	30 x 45	M 8 x 40	28	40	50	80346
ClickFit HBS 8 x 50	M 8 x 50	2100	15	39 x 13.8	30 x 45	M 8 x 50	38	50	50	80347
ClickFit HBS 10 x 25	M 10 x 25	2100	15	39 x 13.8	30 x 45	M 10 x 25	13	25	50	80348
ClickFit HBS 10 x 30	M 10 x 30	2100	15	39 x 13.8	30 x 45	M 10 x 30	18	30	50	80349
ClickFit HBS 10 x 40	M 10 x 40	2100	15	39 x 13.8	30 x 45	M 10 x 40	28	40	50	80350
ClickFit HBS 10 x 50	M 10 x 50	2100	15	39 x 13.8	30 x 45	M 10 x 50	38	50	50	80351

ClickFit K

- Safety load (V) = 3.



Type	Connection	Max. working load [N]	Max. tightening torque [Nm]	Rail nut C [mm]	Locking plate D x E [mm]	Ball hanger	Dimensions			Order Code
							A [mm]	B [mm]		
ClickFit K 6	M 6	1500	15	39 x 13.8	30 x 45	KS 8 x 6	50	10	50	80355
ClickFit K 8	M 8	2100	15	39 x 13.8	30 x 45	KS 8 x 8	50	10	50	80356
ClickFit K 10	M 10	2100	15	39 x 13.8	30 x 45	K 10 x 10	50	10	50	80357



CLICKEASY

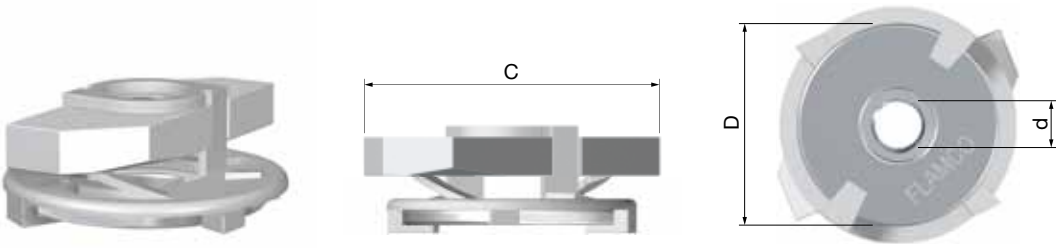
For quick mounting of rail nut, hammer head bolts and sets.

Product features:

- Easy mounting by pushing and turning the unit in the rail 45° clockwise.
- No-return stop.
- Reduced installation time.
- Electrolytically zinc plated.
- No loose parts such as studs, washers and nuts.
- Suitable for thread in accordance with ISO 965-2.

ClickEasy

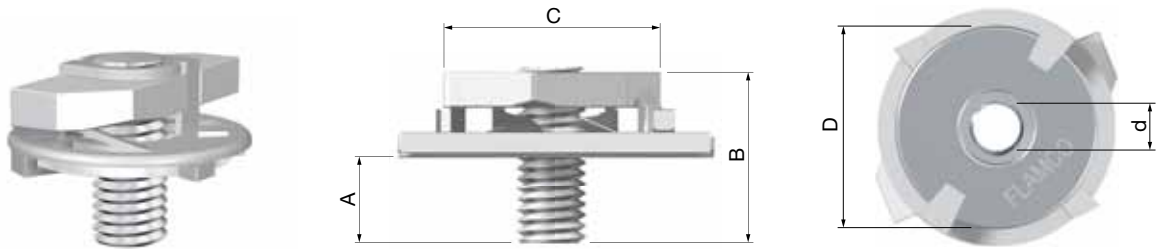
- Safety load (V) = 3.



Type	Connection	Max. working load [N]	Max. tightening torque [Nm]	Rail nut C [mm]	Ø D x d [mm]		Order Code
ClickEasy M 6	M 6	1800	5	36 x 13.8	28 x 6.6	50	80360
ClickEasy M 8	M 8	1800	10	36 x 13.8	28 x 8.6	50	80361
ClickEasy M 10	M 10	1800	15	36 x 13.8	28 x 10.6	50	80362

ClickEasy HB

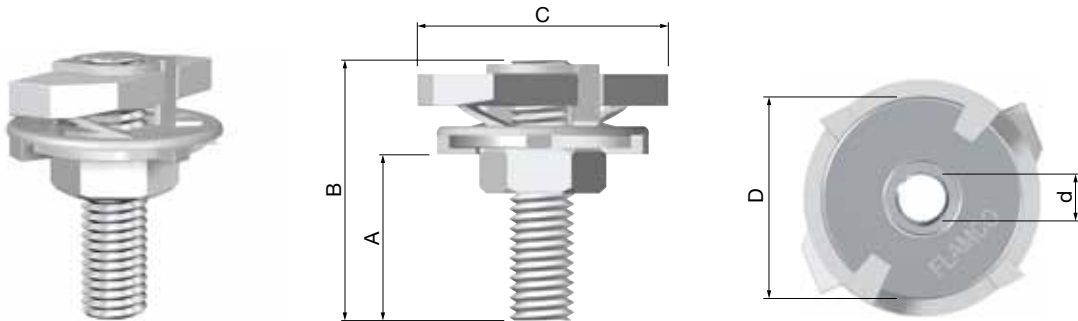
- Safety load (V) = 3.



Type	Con-nection	Max. working load [N]	Max. tightening torque [Nm]	Rail nut C [mm]	Ø D x d [mm]	Threaded rod	Dimensions			Order Code
							A [mm]	B [mm]		
ClickEasy HB 6	M 6	1800	5	36 x 13.8	28 x 6.6	M 6 x 18	6	18	50	80365
ClickEasy HB 8	M 8	1800	10	36 x 13.8	28 x 8.6	M 8 x 18	6	18	50	80366
ClickEasy HB 10	M 10	1800	15	36 x 13.8	28 x 10.6	M 10 x 20	6	18	50	80367

ClickEasy HBS

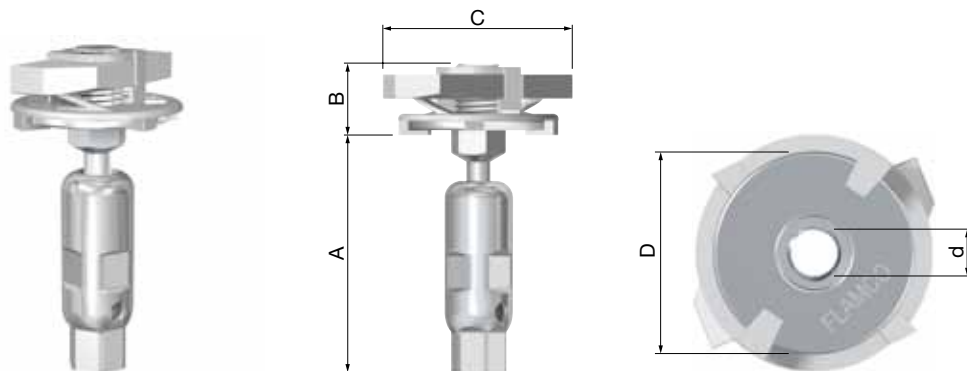
- Safety load (V) = 3.



Type	Connection	Max. working load [N]	Max. tightening torque [Nm]	Rail nut C [mm]	Washer D x d [mm]	Threaded rod	Dimensions		Order Code	
							A [mm]	B [mm]		
ClickEasy HBS 6 x 25	M 6	1800	5	36 x 13.8	28 x 6.6	M 6 x 25	11	25	50	80370
ClickEasy HBS 6 x 30	M 6	1800	5	36 x 13.8	28 x 6.6	M 6 x 30	16	30	50	80371
ClickEasy HBS 6 x 40	M 6	1800	5	36 x 13.8	28 x 6.6	M 6 x 40	26	40	50	80372
ClickEasy HBS 6 x 50	M 6	1800	5	36 x 13.8	28 x 6.6	M 6 x 50	36	50	50	80373
ClickEasy HBS 8 x 25	M 8	1800	10	36 x 13.8	28 x 8.6	M 8 x 25	11	25	50	80374
ClickEasy HBS 8 x 30	M 8	1800	10	36 x 13.8	28 x 8.6	M 8 x 30	16	30	50	80375
ClickEasy HBS 8 x 40	M 8	1800	10	36 x 13.8	28 x 8.6	M 8 x 40	26	40	50	80376
ClickEasy HBS 8 x 50	M 8	1800	10	36 x 13.8	28 x 8.6	M 8 x 50	36	50	50	80377
ClickEasy HBS 10 x 25	M 10	1800	15	36 x 13.8	28 x 10.6	M 10 x 25	11	25	50	80378
ClickEasy HBS 10 x 30	M 10	1800	15	36 x 13.8	28 x 10.6	M 10 x 30	16	30	50	80379
ClickEasy HBS 10 x 40	M 10	1800	15	36 x 13.8	28 x 10.6	M 10 x 40	26	40	50	80380
ClickEasy HBS 10 x 50	M 10	1800	15	36 x 13.8	28 x 10.6	M 10 x 50	36	50	50	80381

ClickEasy K

- Safety load (V) = 3.



Type	Connection	Max. working load [N]	Max. tightening torque [Nm]	Rail nut C [mm]	Locking washer D x d [mm]	Ball hanger	Dimensions		Order Code	
							A [mm]	B [mm]		
ClickEasy K 6	M 6	1800	5	36 x 13.8	28 x 6.6	KS 8 x 6	50	13	50	80390
ClickEasy K 8	M 8	1800	10	36 x 13.8	28 x 8.6	KS 8 x 8	50	13	50	80391
ClickEasy K 10	M 10	1800	10	36 x 13.8	28 x 10.6	K 10 x 10	50	13	50	80392



CLICKCONNECTION

For quick connection of Flamco rail including rail support saddles.

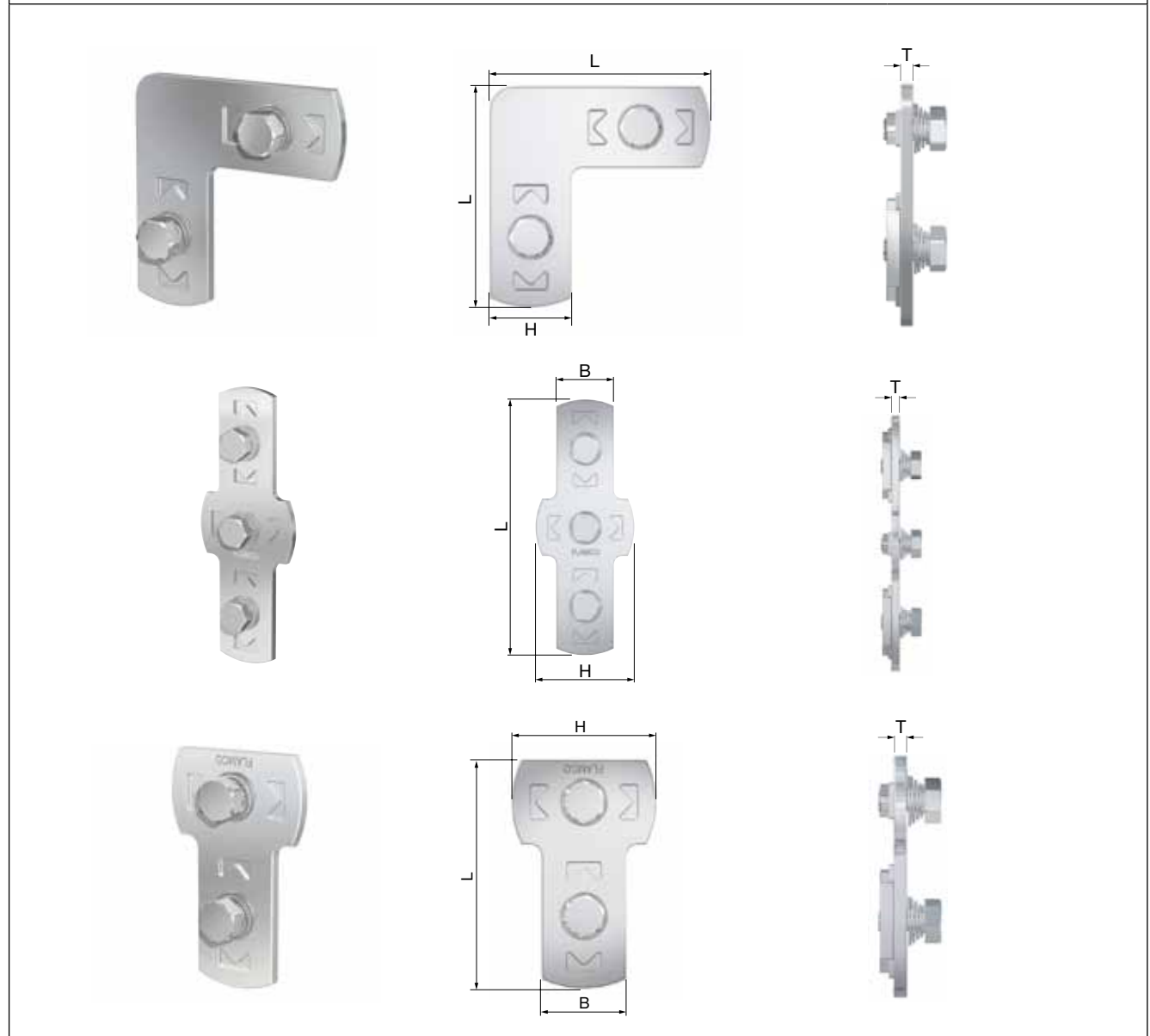
Product features:

- Easy mounting by pushing and turning the unit in the rail 45° clockwise.
- Reduced installation time.
- No loose parts like studs, washers and nuts.
- Electrolytically zinc plated.

ClickConnection

For Flamco rail R 0 – 8.

- Safety load (V) = 3.

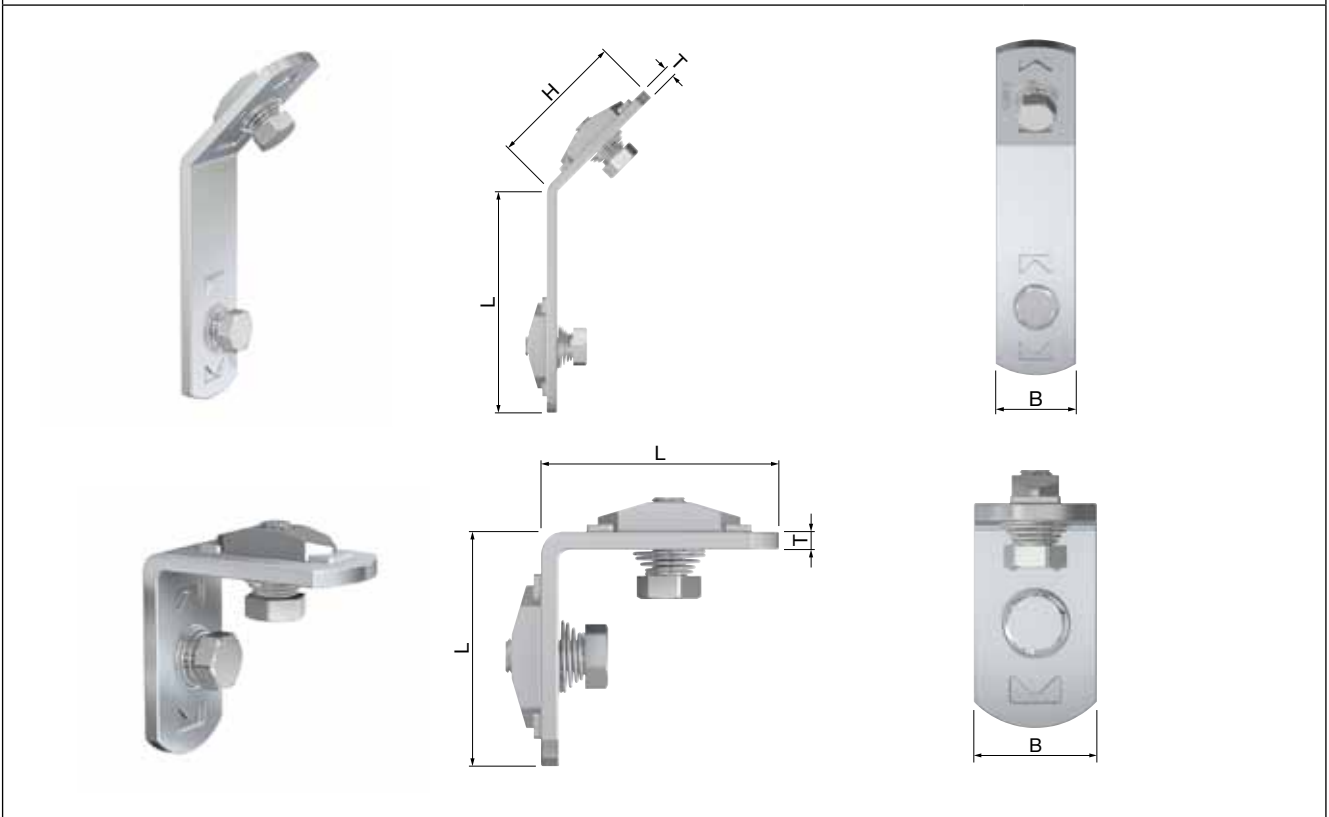



Type	Max. working load		Dimensions					Order Code
	Tensile [N]	Shear [N]	L [mm]	B [mm]	T [mm]	H [mm]		
ClickConnection L	3000	1000	95	35	5	-	10	71802
ClickConnection X	3000	1000	155	35	5	60	10	71803
ClickConnection T	3000	1000	95	35	5	60	25	71804

ClickConnection RH

For Flamco rail R 0 – 8.

- Safety load (M) = 3.



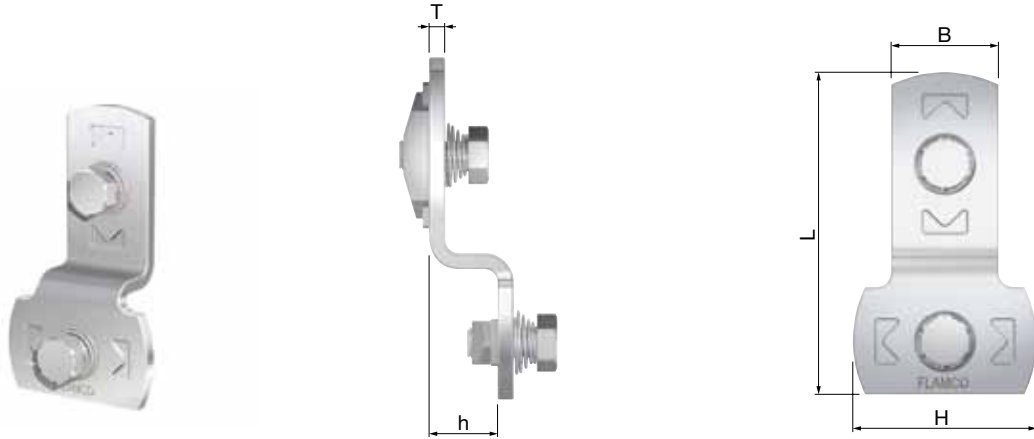
Type	Max. working load		Dimensions					Order Code
	Tensile [N]	Shear [N]	L [mm]	B [mm]	T [mm]	H [mm]		
ClickConnection 45°	3000	1000	100	35	5	60	25	71800
ClickConnection 90°	3000	1000	60	35	5	-	25	71801



ClickConnection PS31

For Flamco rail R 0, R 1, R 2 and R 8.

- Safety load (V) = 3.

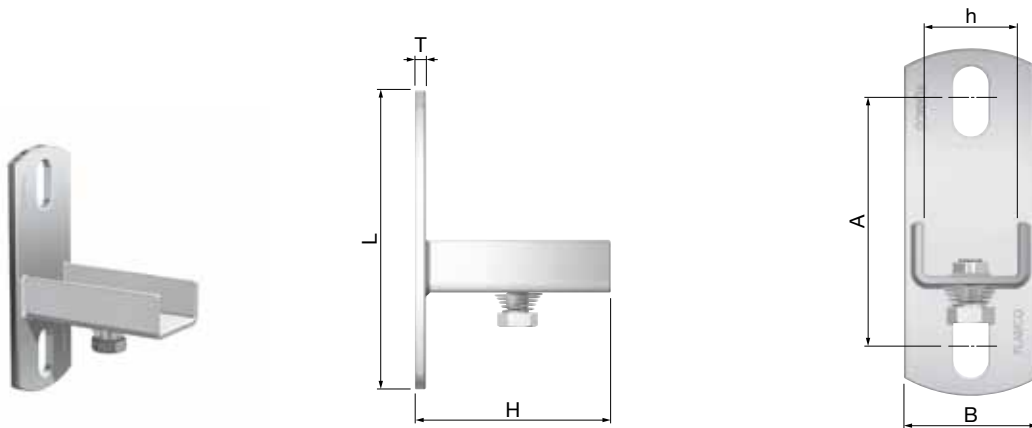


Type	Max. working load		Dimensions						Order Code
	Tensile [N]	Shear [N]	L [mm]	B [mm]	T [mm]	H [mm]	h [mm]		
ClickConnection PS31	3000	1000	105	35	5	60	21	20	71805

ClickConnection RZ-V

For Flamco rail R 0 – 4.

- Safety load (V) = 3.

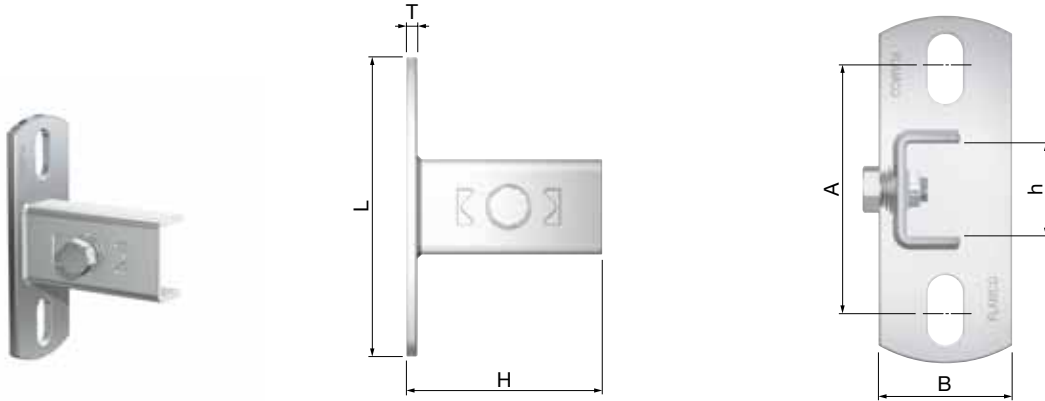



Type	Max. working load		Dimensions						Slotted hole [mm]		Order Code
	Tensile [N]	Shear [N]	L [mm]	B [mm]	T [mm]	H [mm]	h [mm]	A [mm]			
ClickConnection RZ-V90	3000	1000	130	50	5	80	35.5	90	13 x 26	10	71806

ClickConnection RZ-H

For Flamco rail R 0 – 4.

- Safety load (V) = 3.



Type	Max. working load		Dimensions						Slotted hole [mm]		Order Code
	Tensile [N]	Shear [N]	L [mm]	B [mm]	T [mm]	H [mm]	h [mm]	A [mm]			
ClickConnection RZ-H90	3000	1000	130	50	5	80	35.5	90	13 x 26	10	71807