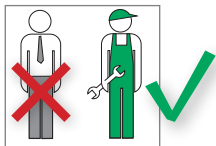


Socket Ball Valve

with Motorised Actuator



Work on heating systems must only be done by qualified professional personnel and in accordance with the respective applicable regulations, guidelines and rules of engineering.



Refer in particular to:

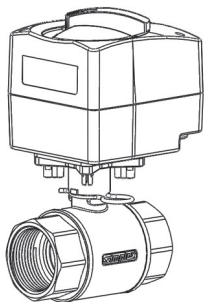
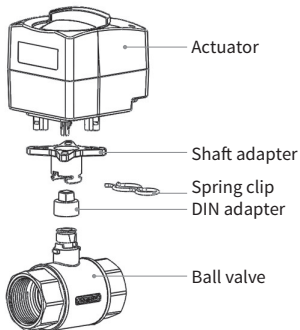
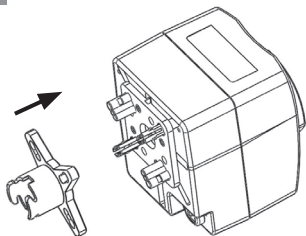
DIN 18 380 Heating systems and central hot water heating systems

VDI 2035 Scale formation in water heating systems

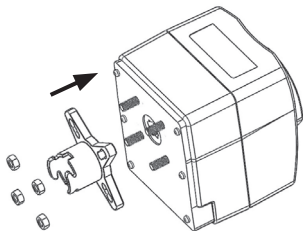
BGV German Professional Association Regulations (accident prevention regulations)

(DIN = The German Institute for Standardisation
VDI = Association of German Engineers)

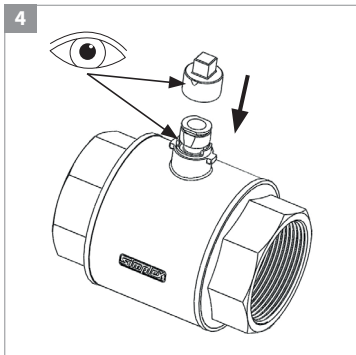


1**2****3a**

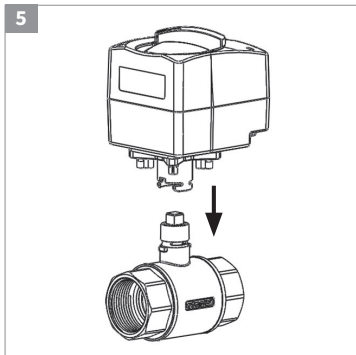
3/4" to 1 1/2" - 10 Nm:
Plug the shaft adapter drive on the actuator

3b

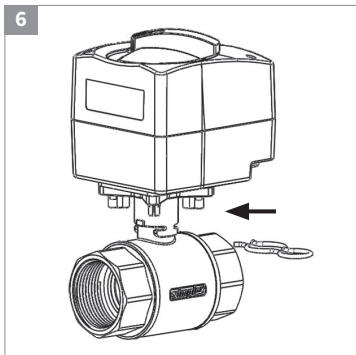
2" - 15 Nm:
Screw the shaft adapter drive on the actuator



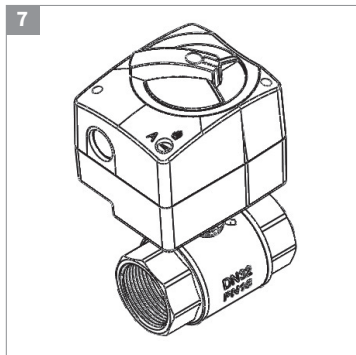
Plug the DIN adapter on the spindle.
The marking on the shaft adapter must be parallel to the flank on the spindle.



Plug the actuator on the ball valve.



Attach the spring clip to secure the adapter.



Position display: **Red:** Ball valve is opened,
Blue: Ball valve is closed
Initially adjust the switch from Auto to Manual for manual actuation.

The illustrations are symbolic and may differ from the respective product.
Errors and technical changes reserved.