

Pressure Test Bridge with Quick Fastener



Work on heating and domestic water systems must only be done by qualified professional personnel and in accordance with the respective applicable regulations, guidelines and rules of engineering.



Refer in particular to:

DIN 14336: Heating systems in buildings - Installation

DIN 18380: Heating systems and central hot water heating systems

VDI 2035: Scale formation in water heating systems

BGV: German Professional Association Regulations (accident prevention regulations)

(DIN = The German Institute for Standardisation

VDI = Association of German Engineers)



After performing a pressure test with the pressure test bridge ...

... we recommend the use of the **Protective Cap (Art. no. F10041)**

- Robust plastic design
 - protects pipes from site dirt and damage
- Simple to attach!
- Reusable
- 50 mm spacer



The illustrations are symbolic and may differ from the respective product. Errors and technical changes reserved.

Using a pressure test bridge enables you to lay pipes for valve radiators with a 50 mm pipe spacing and test them without a radiator being connected.

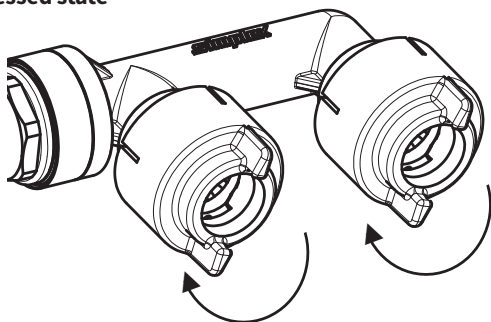
It is designed for use with copper pipes in compliance with DIN EN 1057 (even chrome-plated), carbon steel pipes in compliance with DIN EN 10305 and stainless steel pipes in compliance with DIN EN 10312 with an outer pipe diameter of 15 mm.

The ends of the pipes need to be cut at right angles and burr-free to prevent the O-rings in the pressure test bridge from becoming damaged. Ensure that the difference in length of the sections of pipe does not exceed 4 mm.

Installation

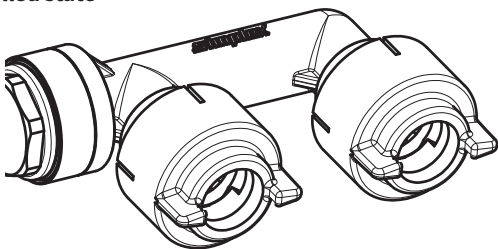
- 1 The pressure test bridge is fitted in a unstressed state – make sure that the ‘wings’ of the rotary caps are at 70° to the longitudinal axis of the bridge, to the stop (approx. 28 mm) at both pipe ends.

unstressed state



- 2 Then tighten the rotary caps clockwise as far as the stop without the use of a tool. The pressure test bridge is tightly connected to the pipes when the “wings” are parallel to the longitudinal axis. Release the connection by turning the caps counter-clockwise.

installed state



Then perform a pressure test of the line. The maximum test pressure is 15 bar.

The pressure test bridge is only intended for test purposes and should **not** be fitted when the heating system is in operation.