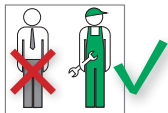


VK 31 Base Board Connection Kit with Female Thread

simplex

Work on heating and domestic water systems must only be done by qualified professional personnel and in accordance with the respective applicable regulations, guidelines and rules of engineering.

**Refer in particular to:**

DIN 18 380: Heating systems and central hot water heating systems

VDI 2035: Scale formation in water heating systems

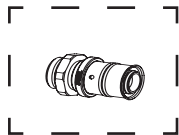
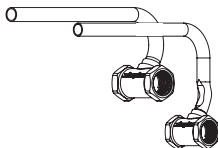
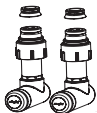
BGV: German Professional Association Regulations (accident prevention regulations)

(DIN = The German Institute for Standardisation

VDI = Association of German Engineers)



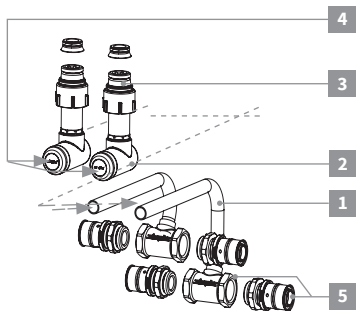
Components



a) Telescopic angle valve b) Connection Kit

c) Union adapter
(not included in the scope of supply)

Installing the Connection Kit



Attention!
Maximum Ø: 25 mm



Important: This installation sequence must be followed!

- When installing the VK 31 base board connection fitting, always mount and connect the lower connection bracket first according to the installation steps described.

Only start to install the upper connection bracket once the lower connection bracket has been installed.

- 1 Once the radiator has been installed, measure and cut the connection pipe of the telescopic angle screw fitting to length and deburr.
 - 1.1 Deburr the inside of the end of the pipe and chamfer the outside. Remove all swarf.
 - 1.2 Check pipes at the connection points for surface damage and impurities.
- 2 Push the telescopic angle screw fitting onto the connection pipe.
- 3 Screw the union nut onto the radiator and tighten with a size 30 open-ended wrench (use a connection nipple for radiators with 1/2" female thread or conical insert with 3/4" external thread Euro cone).

- 4 Remove the cover cap and screw the clamping ring screw union integrated within the telescopic angle screw fitting in tightly at the front using a size 13 open-ended wrench.

Important:

Only use the valve spindle with a size 4 hexagon socket wrench to shut off the radiator after the installation work is complete. If this is completed in the wrong order, the spindle may be irreparably damaged and malfunction!

- 5 Screw the selected union adapter into the connection fitting. When screwing in, hold the hexagon head (size 27) of the connection fitting in place.

In the case of several radiators on one wall, first completely install the lower line connection.

Then install the upper line.

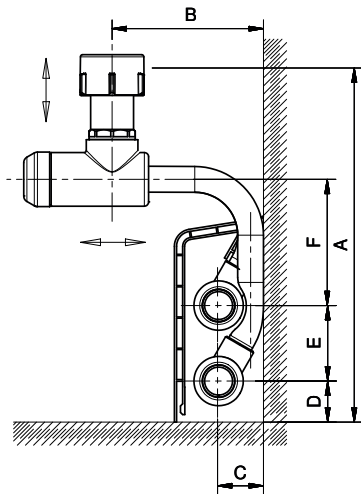
Shutting off the radiator

- Remove the cover cap and shut off the telescopic angle screw fitting from the front using a size 4 socket wrench and rotating it to the right.

Important:

Only shut off the size 4 valve spindle once the integrated clamping ring screw union (size 13) has been fully tightened (clockwise).

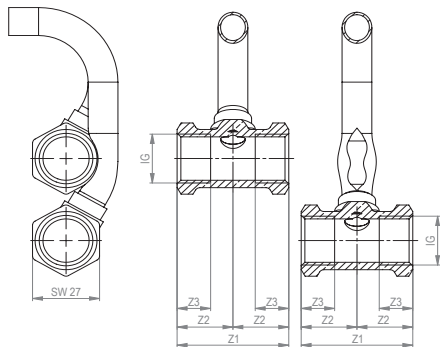
Dimensional drawings



Model	A*		B*		C	D	E	F
	Min.	Max.	Min.	Max.				
For heating circuit with 1/2" female thread	175	200	50	175	21.5	19	35	59
For heating circuit with 3/4" male thread	164	189	50	175				

* Up to radiator connection (dimensions in mm)

Installed length (Z-dimension)



Dimension	Female thread	Z1	Z2	Z3
Dimensions in mm	G 1/2"	45	22.5	13.5

All technical data are non-binding and are not guaranteed characteristics of the products. The illustrations are symbolic and may deviate from the respective product. The installation instructions must be observed.

Further information is available from www.simplex-armaturen.de.
Subject to technical modifications and errors.

K80401910_03/2018

Simplex Armaturen & Systeme GmbH | 88260 Argenbühl - Eisenharz, Germany
Tel. +49 75 66 94 08-0 | Fax +49 75 66 94 08-75 | www.simplex-armaturen.de